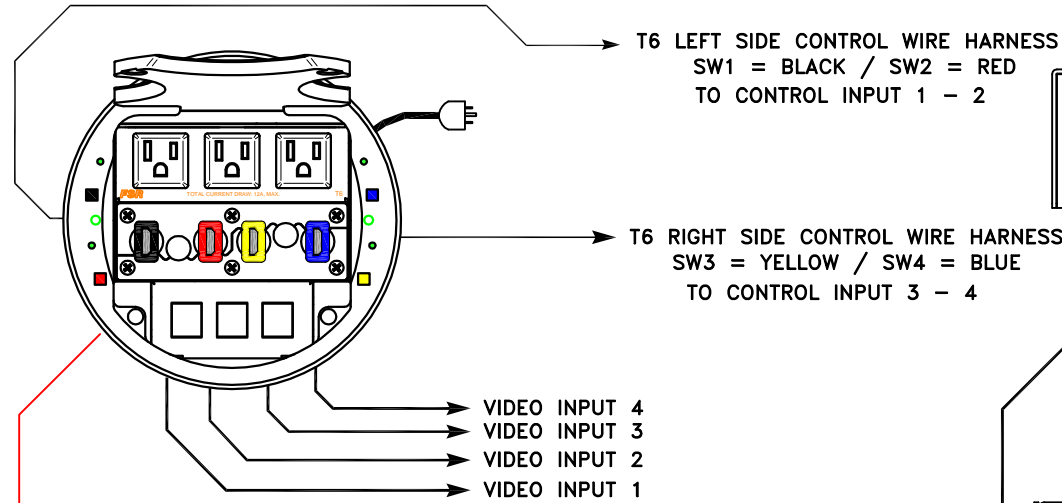


REQUIRED SYSTEM

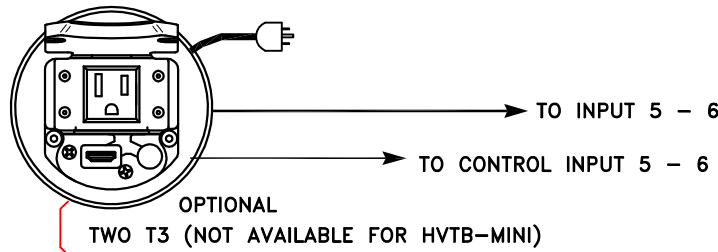
FOR A SINGLE DISPLAY
DIP SWITCH SETTING FOR DV-HSW4K-41

FOR A DUAL INDEPENDENT DISPLAY
DIP SWITCH SETTING FOR DV-HSW4K-41

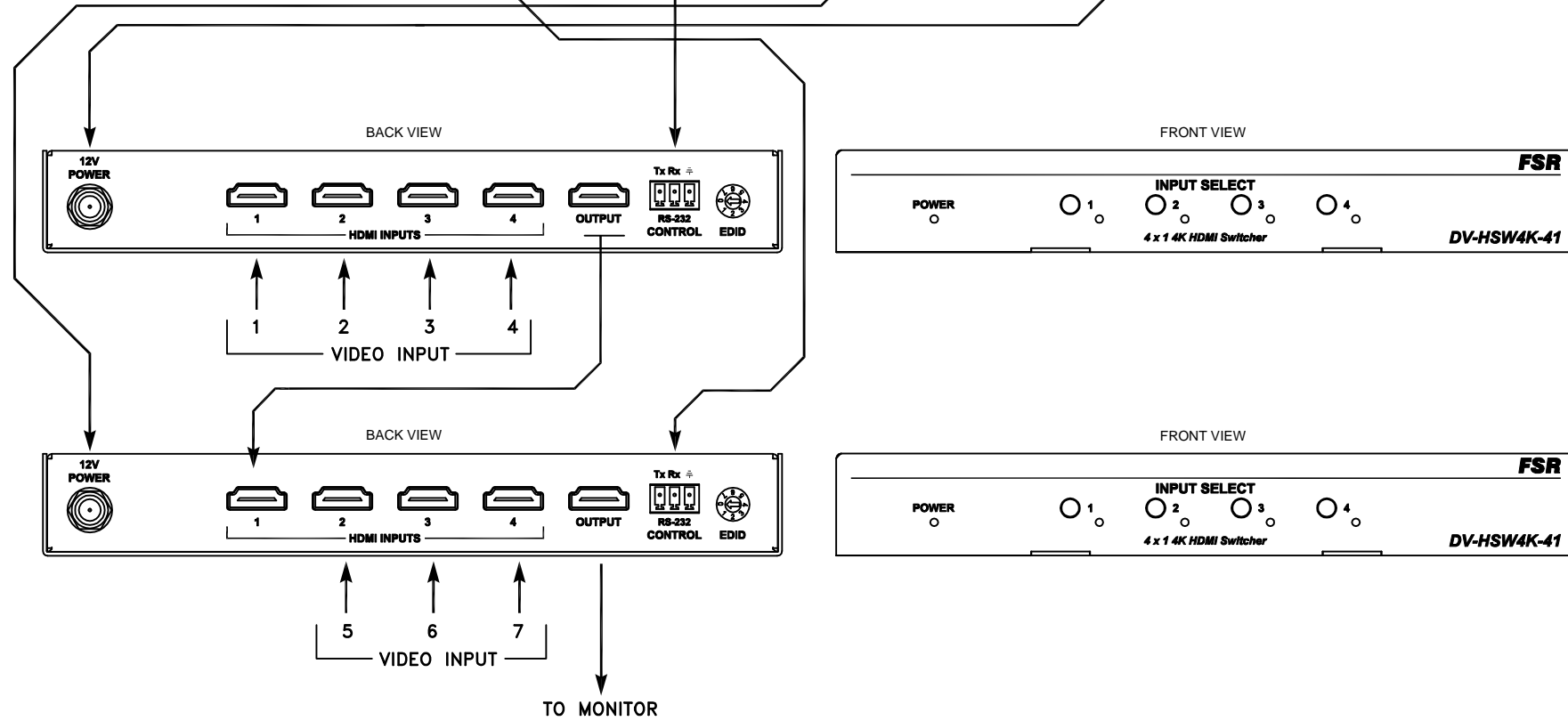
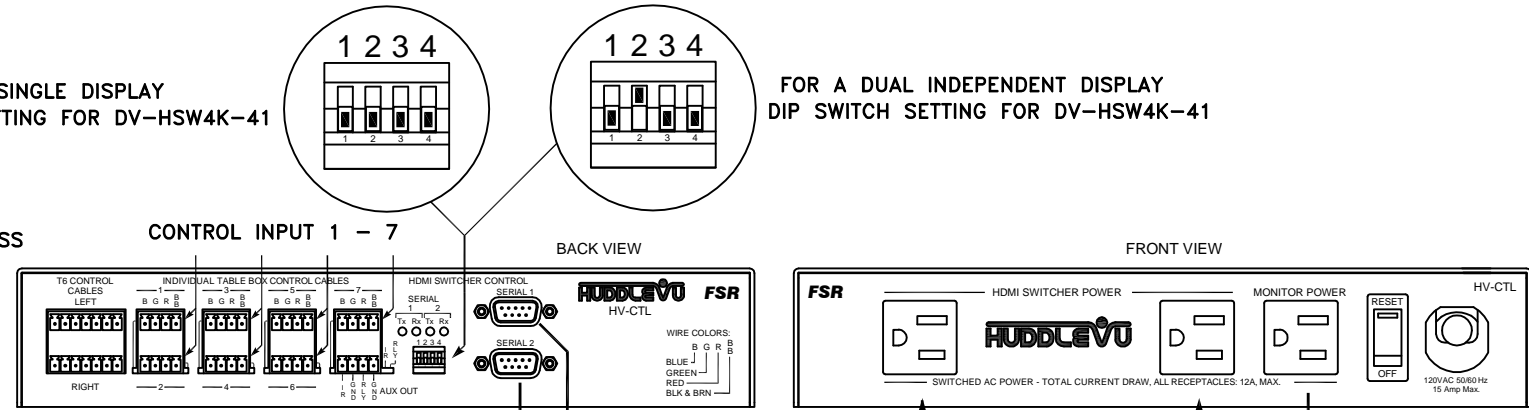


MAXIMUM 2 VGA+AUDIO OPTION FOR CABLE PULL SYSTEMS
VIDEO CABLE AND CONTROL CABLE MUST BE CONNECTED
TO THE SAME INPUT NUMBER

OPTIONS FOR HVTB28" AND HVTB-35"



MAXIMUM 1 VGA+AUDIO OPTION FOR CABLE PULL T3 BOXES
MAXIMUM 1 VGA+AUDIO OPTION FOR CABLE RETRACTOR SYSTEMS



REQUIRED SYSTEM(up to 4 inputs)	FSR P/N	QTY.
Huddle-Vu CONTROL UNIT	17493	1
HV-T6-BLK	17491	1
UP TO 3 HV-T3(N.A. FOR HVTB-MINI)	17492	2
DV-HSW4K-41	17796	2
UNDER TABLE BRACKET	17523	1
BAG'O CABLES	29997	1
BAG'O PARTS	29937	1
HV-T3 RETRACTOR BRACKET	53209	1

The drawing and specifications, herein are the property of FSR Inc. and shall not be reproduced or copied or used in whole or in part as the basis for the manufacture or sale of items without written permission.

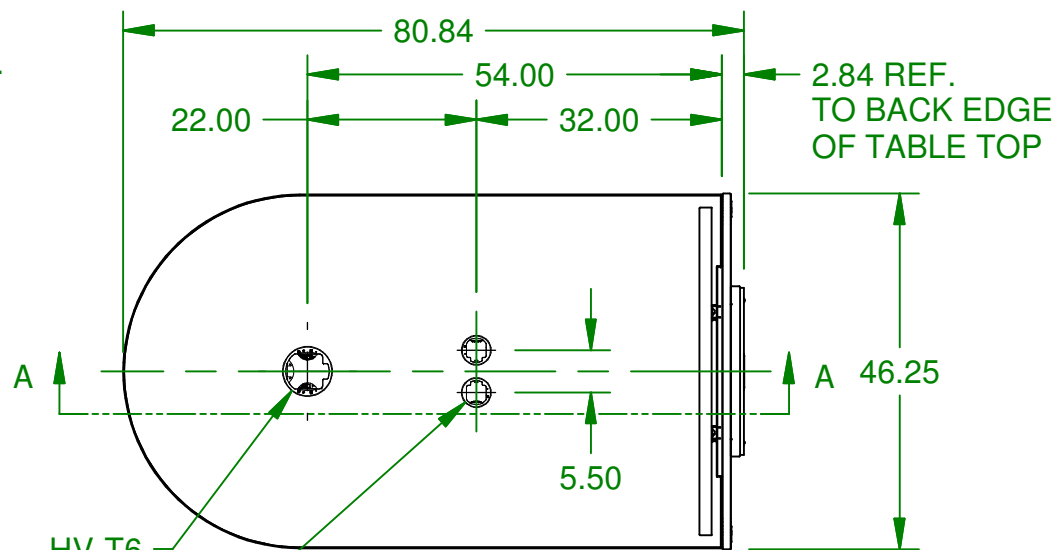
FSR inc.
244 Bergen Blvd.
W. Paterson, NJ 07424
Tel: (201) 785-4347

TITLE: HuddleVu BUTTON CONTROL TABLE
SIX INPUTS WIRING DIAGRAM
BUTTON CONTROL W/DV-HSW4K-41

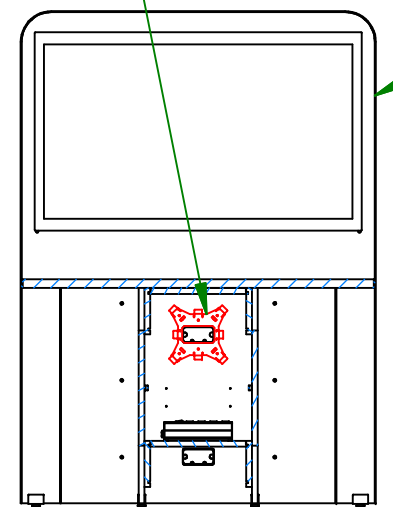
NOTES:	SCALE: -
DATE: 11-18-2015	DRAWN BY: A.B.
UPDATE NO.: INITAL	SIGN OFF:
CLIENT:	DWG. NO. 17865

NOTES:
 1. TABLE HEIGHT SHOWN; COUNTER HEIGHT IS 36.13".
 2. IF REMOVED, REINSTALL WITH ORIGINAL HARDWARE.

REV	DATE	CHANGE DESCRIPTION
01	10/04/16	ADDED CABLE GUIDE AND CABLE TAKE-UP.

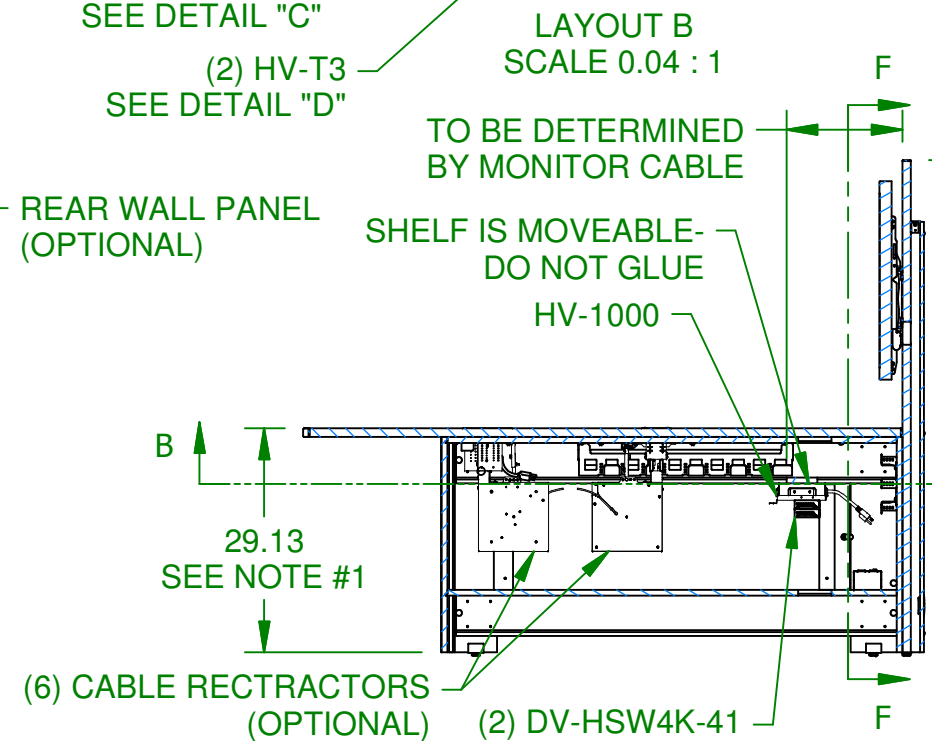


CABLE TAKE-UP
 CENTERED ON
 4" X 2" OPENING
 SEE NOTE #2



REAR WALL PANEL
 (OPTIONAL)

SECTION A-A
 SCALE 0.04 : 1



TO BE DETERMINED
 BY MONITOR CABLE

SHELF IS MOVEABLE-
 DO NOT GLUE

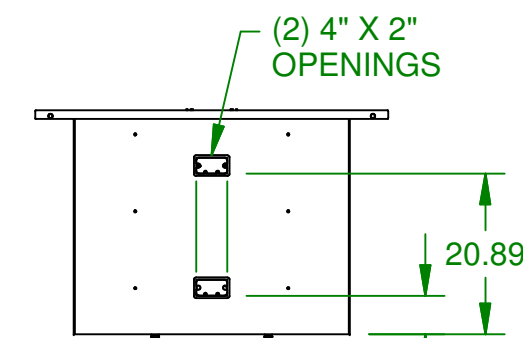
HV-1000

(6) CABLE RETRACTORS
 (OPTIONAL)

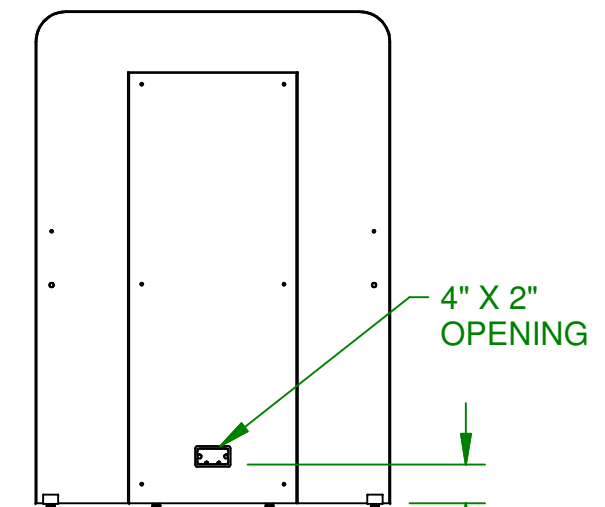
(2) DV-HSW4K-41

64.00

29.13
 SEE NOTE #1

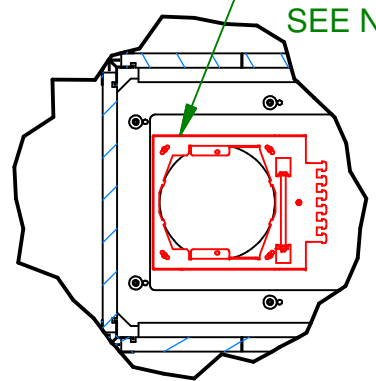


CABLE EXIT - TABLE
SCALE 0.04 : 1

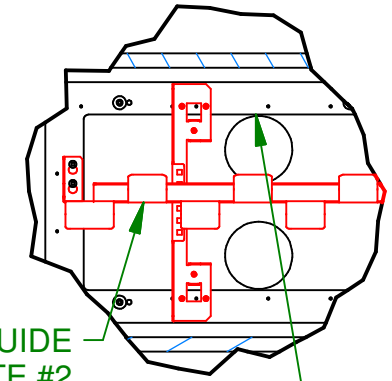


CABLE EXIT - WALL PANEL
 (OPTIONAL)
 SCALE 0.04 : 1

T6 UNDER-TABLE CLAMP
 CENTERED ON 6" HOLE
 SEE NOTE #2

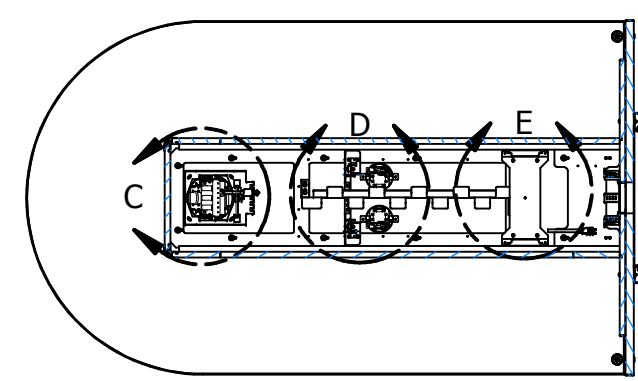


DETAIL C
T6 OMITTED
SCALE 0.1 : 1

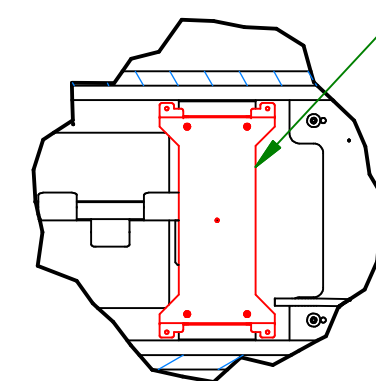


CABLE GUIDE
 SEE NOTE #2

REMOVE MATERIAL
 AS NEEDED TO EASE
 T3 INSTALLATION



SECTION B-B
SCALE 0.04 : 1



DETAIL E
SCALE 0.1 : 1

HV MOUNTING BRACKET
 ALIGN WITH PILOT HOLES
 IN SHELF. SEE NOTE #2

FSR inc. 244 BERGEN BLVD. WOODLAND PARK, NJ 07424 TEL. (973) 785-4347 FAX. (973) 785-3318		PROJECT: HV TABLE	
		TITLE: HUDDLEVU BTN CTRL TABLE, UP TO 6 INPUTS W/DV-HSW4K-41	
TOLERANCES: .XX ±.02 .XXX ±.01 FRACT: ±1/64 ANGLES: ±1°		SCALE: DO NOT SCALE DRAWING	
HOLES or COUNTERBORES, INTENDED FOR PEMs OR OTHER INSERTED HARDWARE: +.003 / -0		ORIGINALLY DRAWN BY: GKV	DATE: 12/10/15
NETWORK INFORMATION:		CURRENT REV. DRAWN BY: GKV	DATE: 10/04/16
FILE NAME: 25B7678	DATE: 10/04/16	APPROVED: D Hansen	DATE: 10/04/16
DIRECTORY: G:\TABLEBOX\TABLES	DWG.# 25B7678	REV. 01	PART# 17865