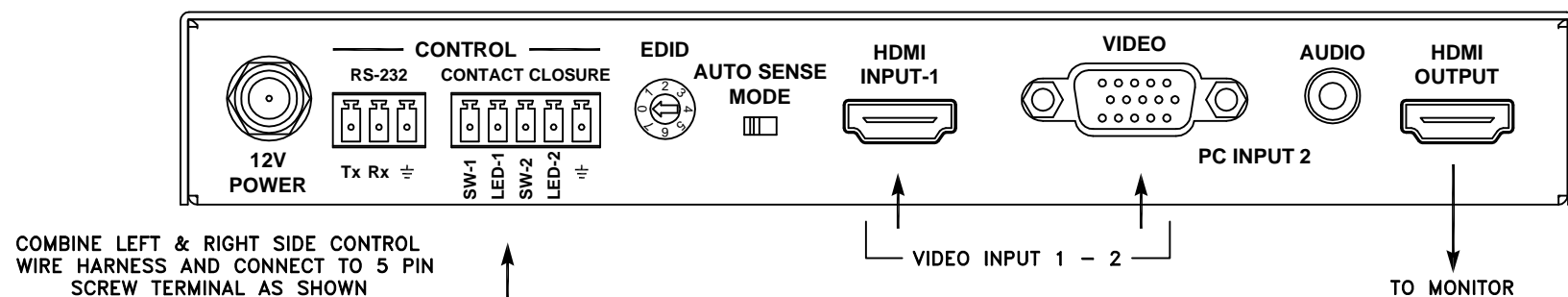
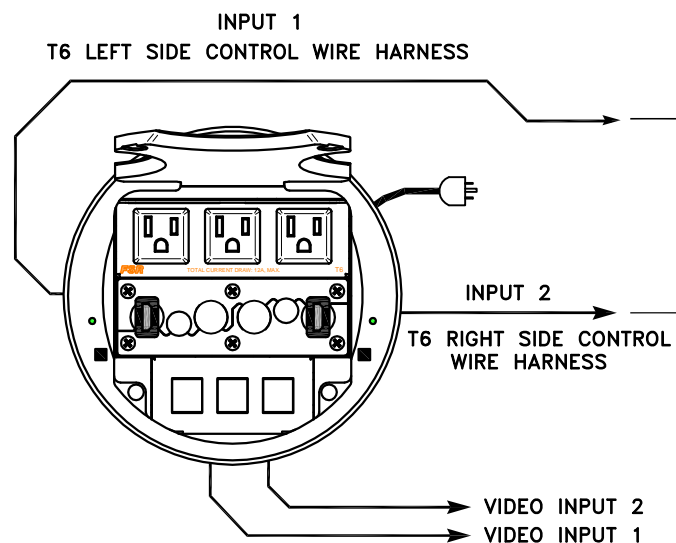
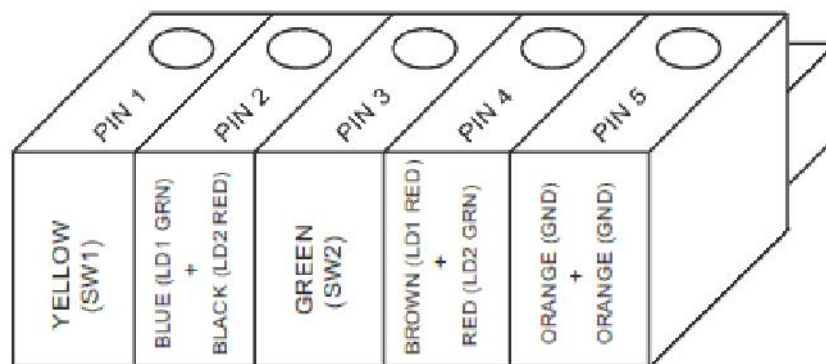


REQUIRED SYSTEM



COMBINE LEFT & RIGHT SIDE CONTROL WIRE HARNESS AND CONNECT TO 5 PIN SCREW TERMINAL AS SHOWN



REQUIRED SYSTEM(up to 2 inputs)	FSR P/N	QTY.
T6-BLK-2B	17854	1
DV-MFSW-21A	17798	1
10' HDMI CABLE	26852	1
BAG'O PARTS	29937	1

The drawing and specifications, herein are the property of FSR Inc. and shall not be reproduced or copied or used in whole or in part as the basis for the manufacture or sale of items without written permission.

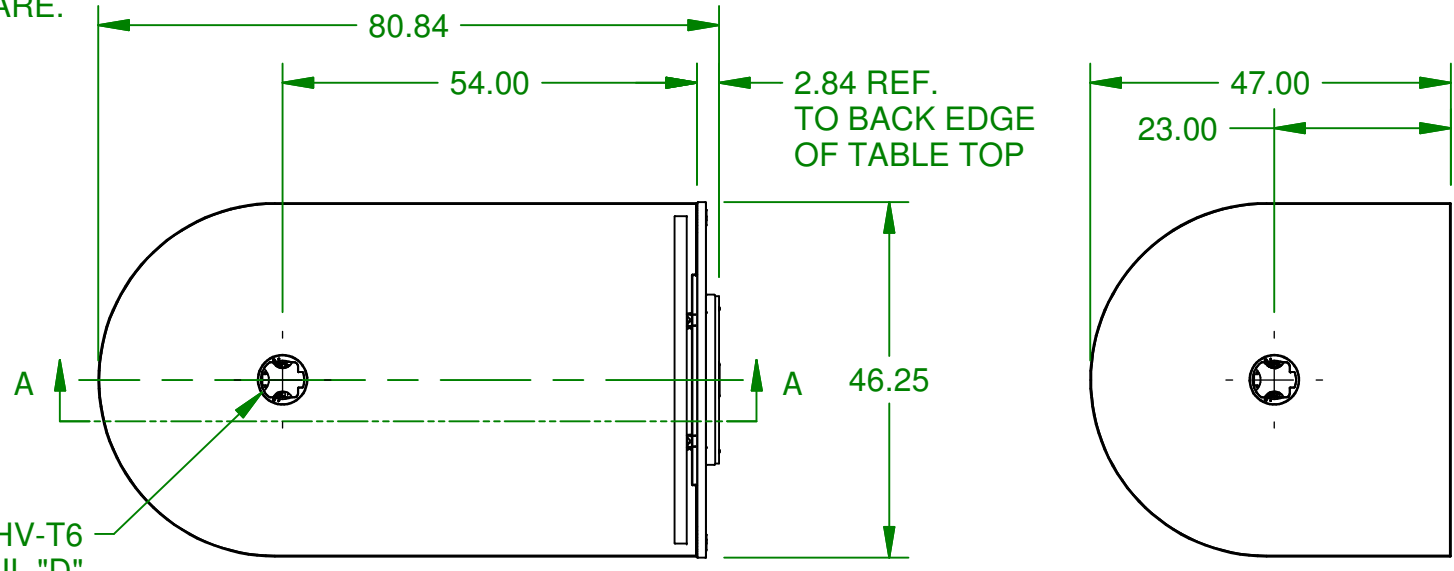
FSR inc.
244 Bergen Blvd.
W. Paterson, NJ 07424
Tel: (201) 785-4347

TITLE: HuddleVU BUTTON CONTROL TABLE
UP TO 2 INPUTS WIRING DIAGRAM
BUTTON CONTROL W/DV-MFSW-21A

NOTES:	SCALE: -
DATE: 11-06-2015	DRAWN BY: A.B.
UPDATE NO.: INITAL	PAGE 1 OF 1
CLIENT:	SIGN OFF: DWG. NO. 17864

NOTES:
 1. TABLE HEIGHT SHOWN; COUNTER HEIGHT IS 36.13".
 2. IF REMOVED, REINSTALL WITH ORIGINAL HARDWARE.

REV	DATE	CHANGE DESCRIPTION
01	10/04/16	ADDED CABLE GUIDE AND CABLE TAKE-UP.

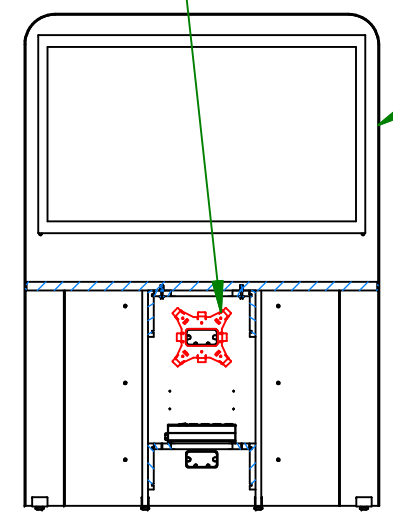


CABLE TAKE-UP CENTERED ON 4" X 2" OPENING SEE NOTE #2

HV-T6 SEE DETAIL "D"

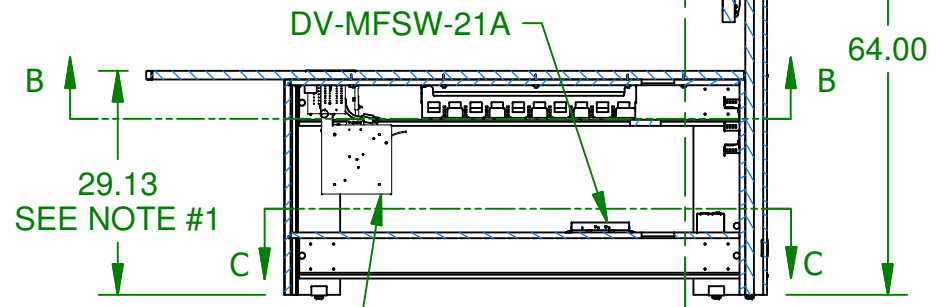
LAYOUT A SCALE 0.04 : 1

LAYOUT M (OPTIONAL) SCALE 0.04 : 1



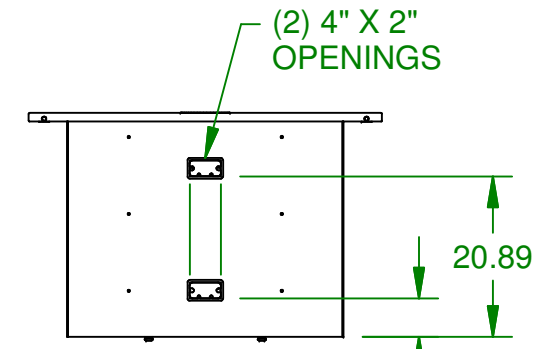
SECTION F-F SCALE 0.04 : 1

REAR WALL PANEL (OPTIONAL)

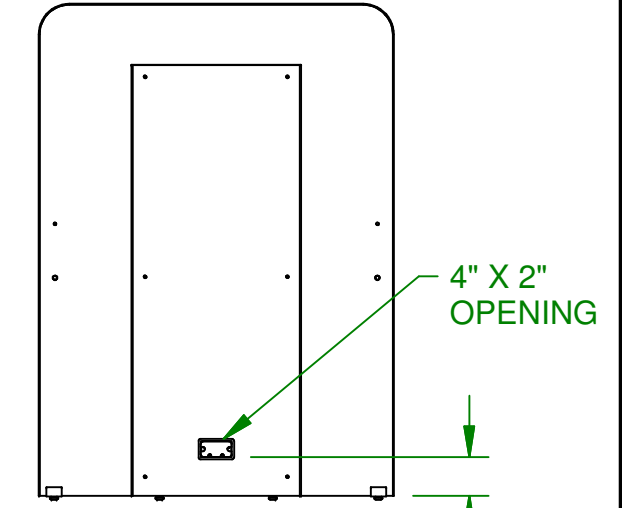


SECTION A-A SCALE 0.04 : 1

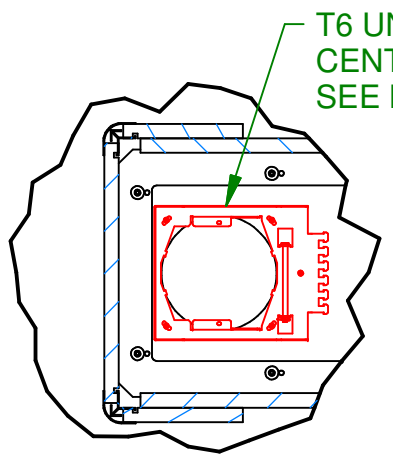
(6) CABLE RETRACTORS (OPTIONAL)



CABLE EXIT - TABLE SCALE 0.04 : 1

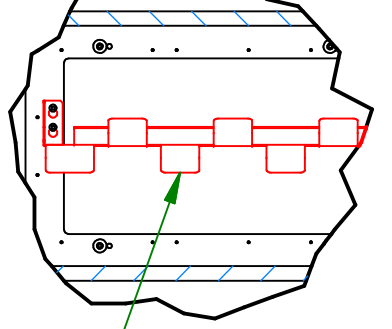


CABLE EXIT - WALL PANEL (OPTIONAL) SCALE 0.04 : 1



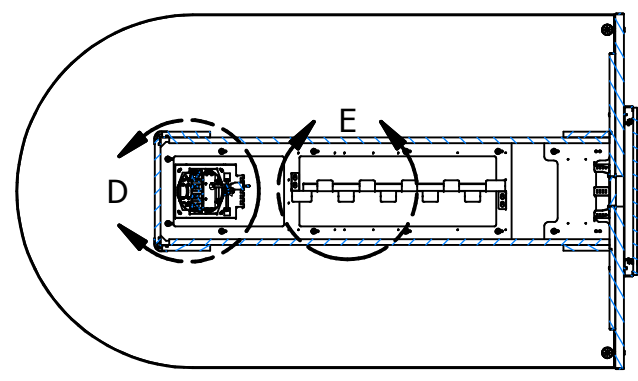
DETAIL D T6 OMITTED SCALE 0.1 : 1

T6 UNDER-TABLE CLAMP CENTERED ON 6" HOLE SEE NOTE #2

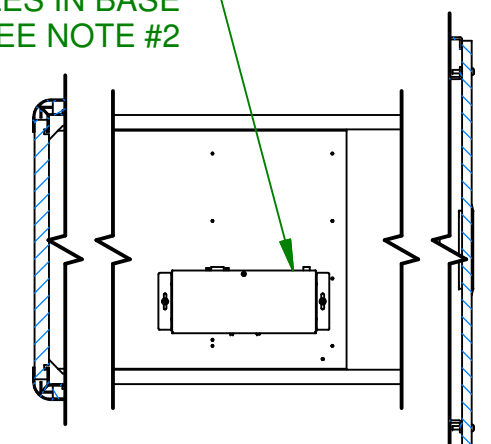


CABLE GUIDE SEE NOTE #2
 DETAIL E SCALE 0.1 : 1

MOUNT TO AVAILABLE PILOT HOLES IN BASE SEE NOTE #2



SECTION B-B SCALE 0.04 : 1



SECTION C-C SCALE 0.1 : 1

FSR inc. 244 BERGEN BLVD. WOODLAND PARK, NJ 07424 TEL. (973) 785-4347 FAX. (973) 785-3318		PROJECT: HV TABLE	
		TITLE: HUDDLEVU BTN CTRL TABLE, UP TO 2 INPUTS W/DV-MFSW-21A	
TOLERANCES: .XX ±.02 .XXX ±.01 FRACT: ±1/64 ANGLES: ±1°		SCALE: DO NOT SCALE DRAWING	
HOLES or COUNTERBORES, INTENDED FOR PEMs OR OTHER INSERTED HARDWARE: +.003 / -0		ORIGINALLY DRAWN BY: GKV	DATE: 12/10/15
NETWORK INFORMATION:		CURRENT REV: GKV	DATE: 10/04/16
FILE NAME: 25B7678 DATE: 10/04/16		APPROVED: D Hansen	DATE: 10/04/16
DIRECTORY: G:\TABLEBOX\TABLES		DWG.#: 25B7678	REV: 01 PART#: 17864