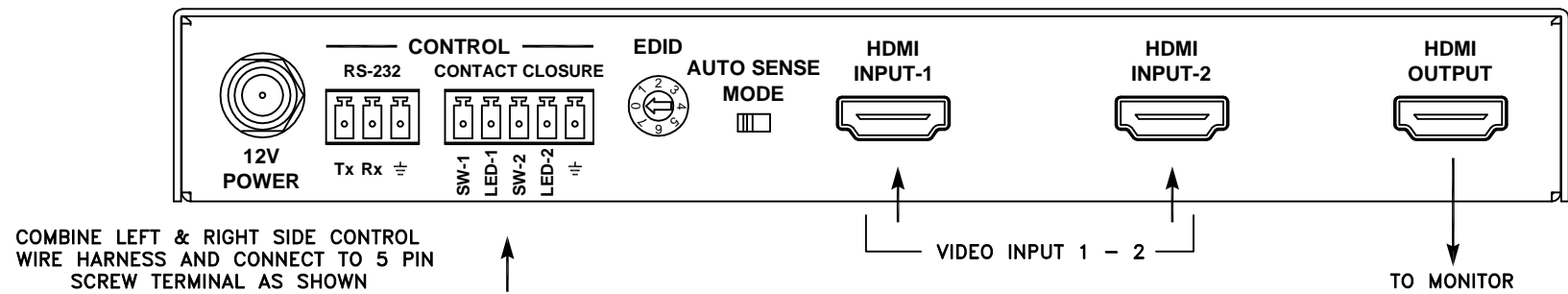
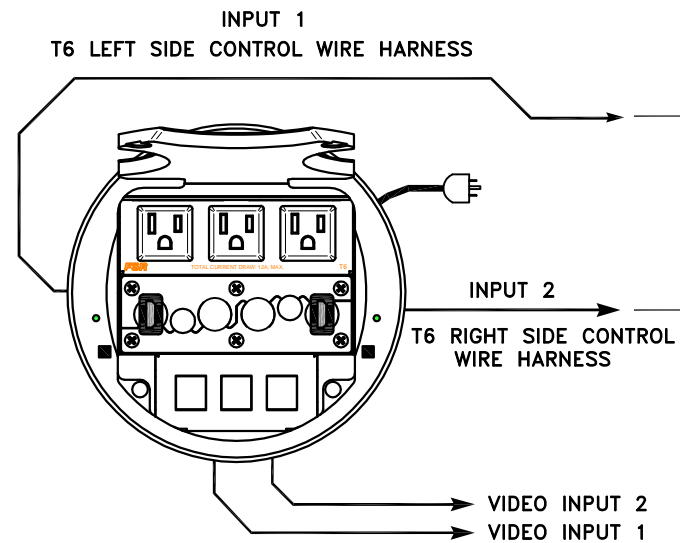
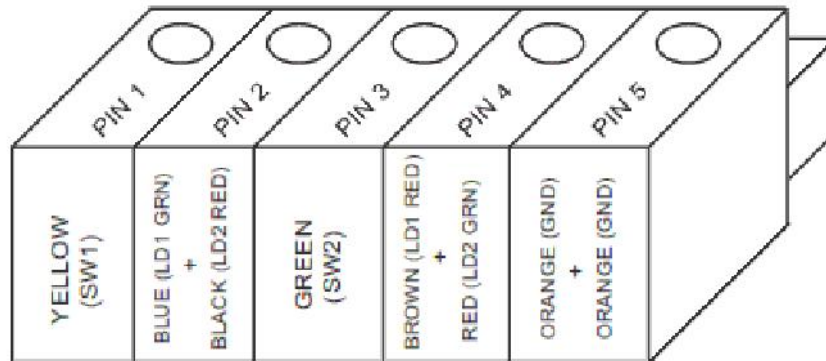


REQUIRED SYSTEM



COMBINE LEFT & RIGHT SIDE CONTROL WIRE HARNESS AND CONNECT TO 5 PIN SCREW TERMINAL AS SHOWN



REQUIRED SYSTEM(up to 2 inputs)	FSR P/N	QTY.
T6-BLK-2B	17854	1
DV-HSW-21A	17797	1
10' HDMI CABLE	26852	1
BAG'O PARTS	29937	1

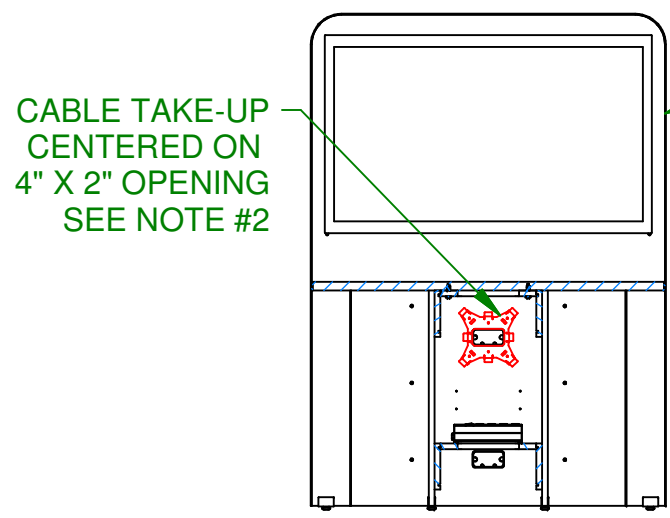
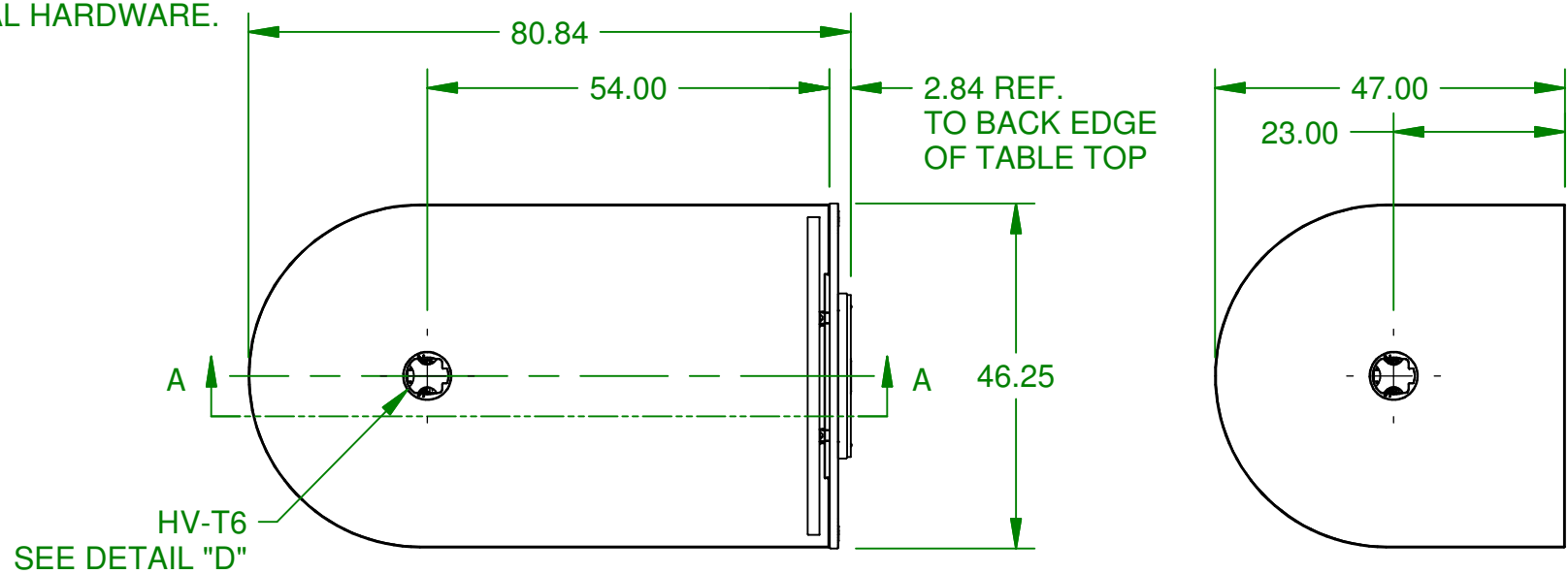
The drawing and specifications, herein are the property of FSR Inc. and shall not be reproduced or copied or used in whole or in part as the basis for the manufacture or sale of items without written permission.

FSR Inc. 244 Bergen Blvd. W. Paterson, NJ 07424 Tel: (201) 785-4347	TITLE:
	HuddleVU BUTTON CONTROL TABLE UP TO 2 INPUTS WIRING DIAGRAM BUTTON CONTROL W/DV-HSW21A

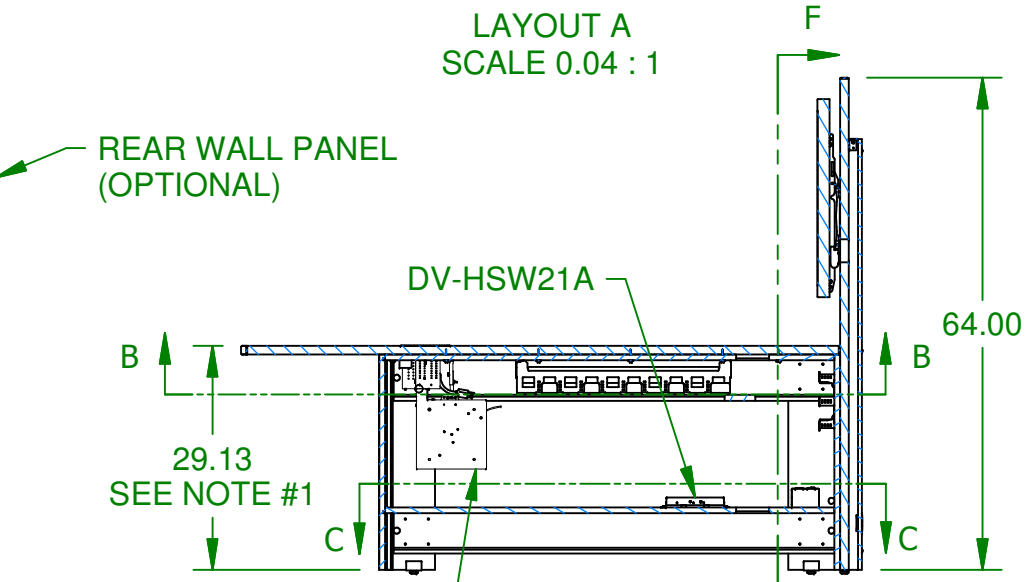
NOTES:	SCALE: -
DATE: 11-06-2015	DRAWN BY: A.B.
UPDATE NO.: INITAL	SIGN OFF:
CLIENT:	DWG. NO. 17863

NOTES:
 1. TABLE HEIGHT SHOWN; COUNTER HEIGHT IS 36.13".
 2. IF REMOVED, REINSTALL WITH ORIGINAL HARDWARE.

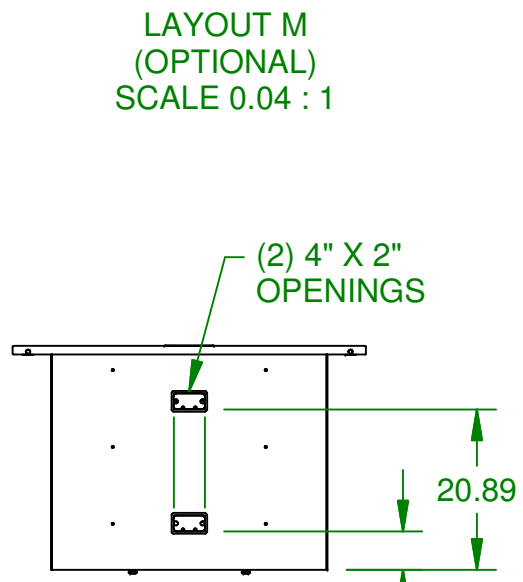
REV	DATE	CHANGE DESCRIPTION
01	10/04/16	ADDED CABLE GUIDE AND CABLE TAKE-UP.



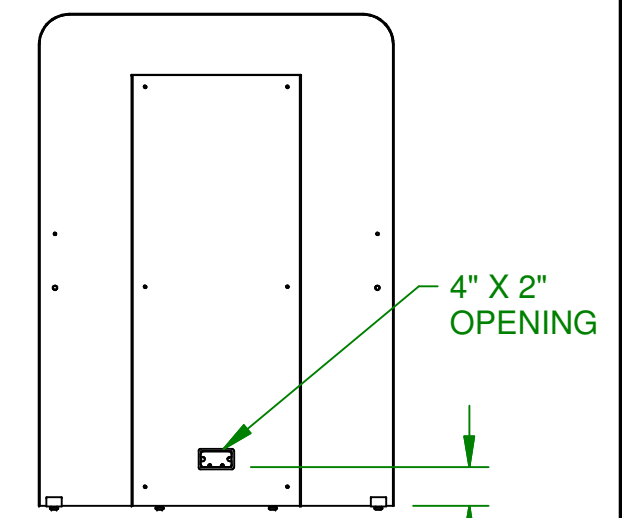
SECTION F-F
SCALE 0.04 : 1



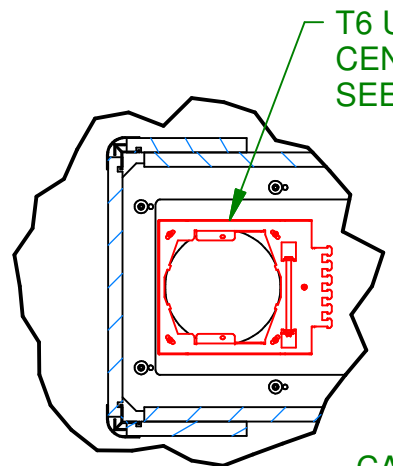
SECTION A-A
SCALE 0.04 : 1



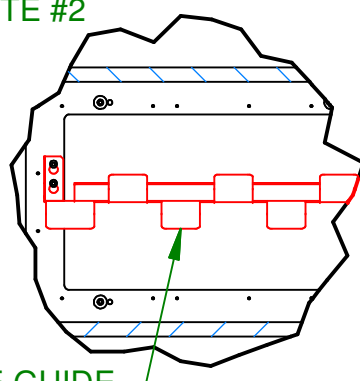
CABLE EXIT - TABLE
SCALE 0.04 : 1



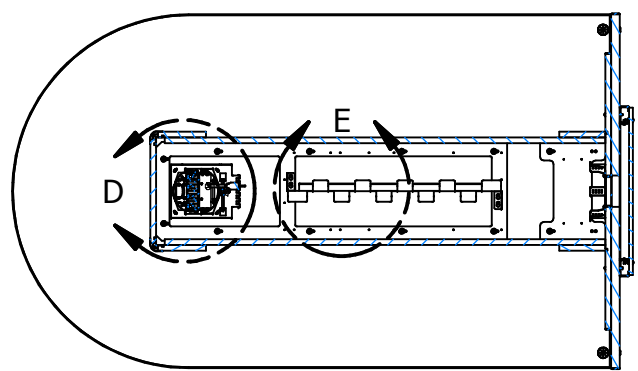
CABLE EXIT - WALL PANEL (OPTIONAL)
SCALE 0.04 : 1



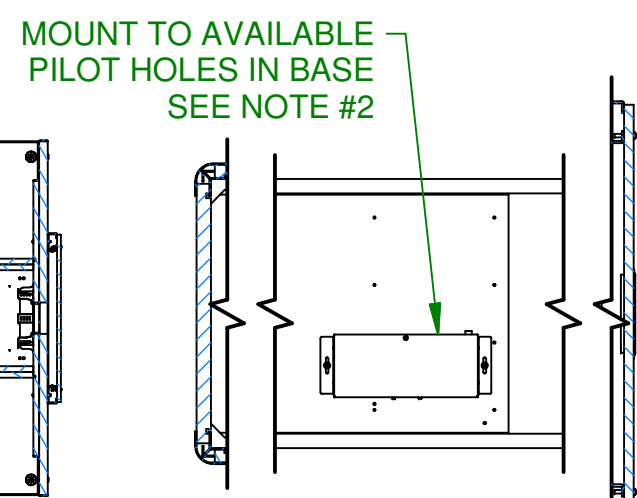
DETAIL D
T6 OMITTED
SCALE 0.1 : 1



DETAIL E
SCALE 0.1 : 1



SECTION B-B
SCALE 0.04 : 1



SECTION C-C
SCALE 0.1 : 1

FSR inc. 244 BERGEN BLVD. WOODLAND PARK, NJ 07424 TEL. (973) 785-4347 FAX. (973) 785-3318		PROJECT: HV TABLE	
		TITLE: HUDDLEVU BTN CTRL TABLE, UP TO 2 INPUTS W/DV-HSW-21A	
TOLERANCES: .XX ±.02 .XXX: ±.01 FRACT: ±1/64 ANGLES: ±1°		SCALE: DO NOT SCALE DRAWING	ORIGINALLY DRAWN BY: GKV DATE: 12/10/15
HOLES or COUNTERBORES, INTENDED FOR PEMs OR OTHER INSERTED HARDWARE: +.003 / -0		APPROVED: D Hansen DATE: 10/04/16	CURRENT REV. DRAWN BY: GKV DATE: 10/04/16
NETWORK INFORMATION:		DWG.#: 25B7678	REV. PART#: 01 17863
FILE NAME: 25B7678 DATE: 10/04/16		DIRECTOR: G:\TABLEBOX\TABLES	