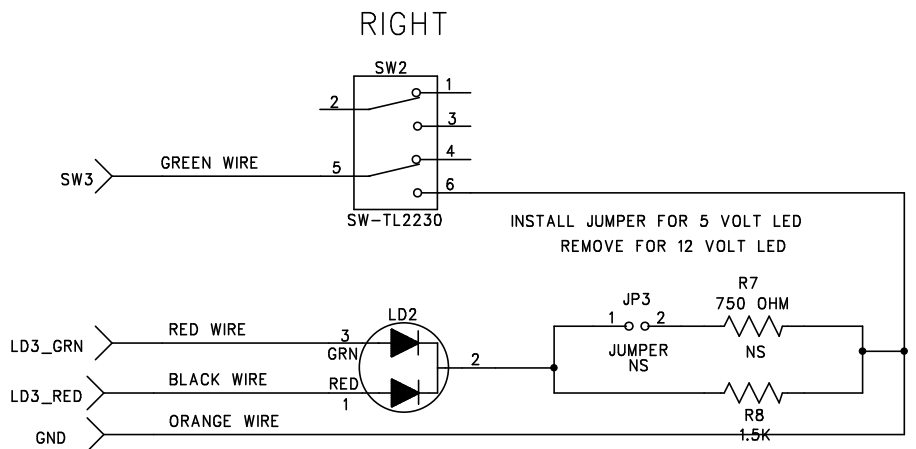
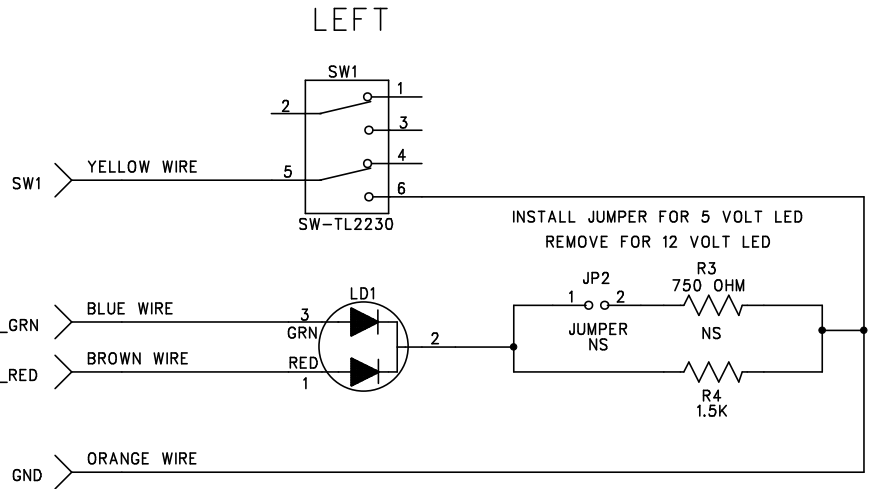
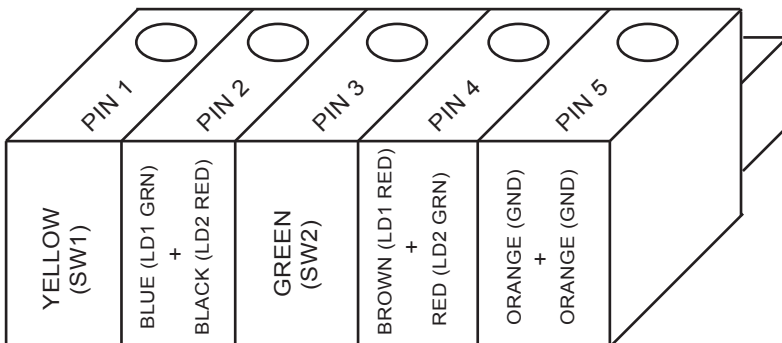
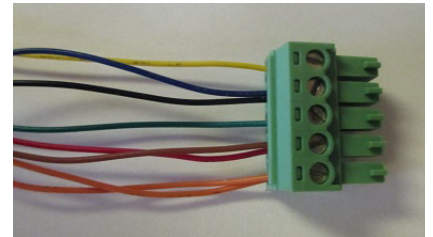


SW1 / LD1

SW2 / LD2



TO CONNECT TO DV-HSW-21 OR DV-MFSW-21
INSTALL WIRE TAILS FROM T6 BOX AS SHOWN BELLOW.
(JUMPER JP2 & JP3 SHOULD NOT BE INSTALLED)



FSR

244 BERGEN BLVD.
W. PATERSON, NJ 07424
TEL. (973) 785-4347

T6-2B SW / LED WIRING

PRODUCT:	T6 2SW / 2LED	PART#	86596
DRAWN BY:	A.B.	DATE:	10-21-2015
APPROVED BY:		DATE:	
DWG.#	C-1182	REV.	PAGE 1 OF 1

REV. LEVEL	REF. ECO	REV. DATE	APPROVED	DESCRIPTION