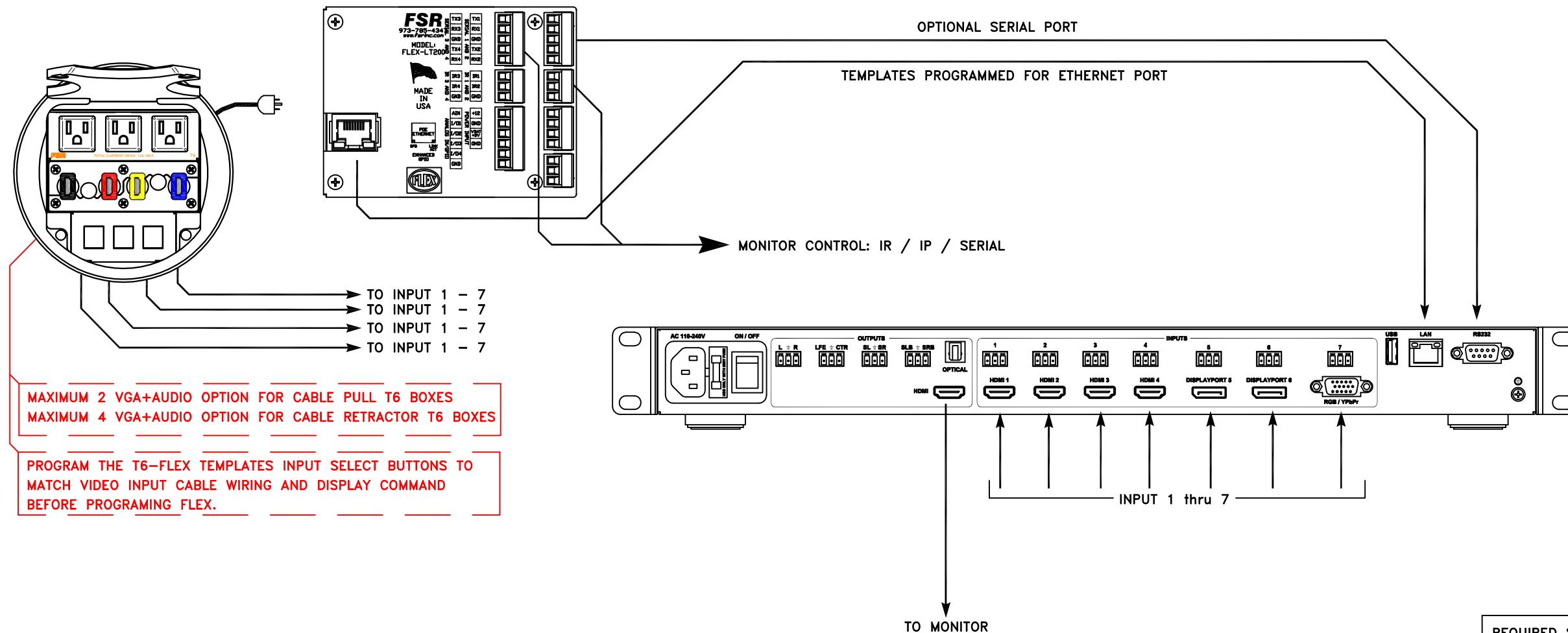


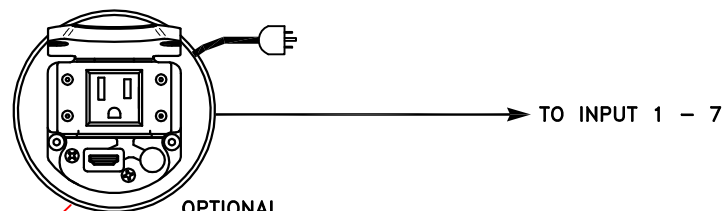
REQUIRED SYSTEM



MAXIMUM 2 VGA+AUDIO OPTION FOR CABLE PULL T6 BOXES  
 MAXIMUM 4 VGA+AUDIO OPTION FOR CABLE RETRACTOR T6 BOXES

PROGRAM THE T6-FLEX TEMPLATES INPUT SELECT BUTTONS TO  
 MATCH VIDEO INPUT CABLE WIRING AND DISPLAY COMMAND  
 BEFORE PROGRAMING FLEX.

OPTIONS FOR HVTB28" AND HVTB-35"



OPTIONAL

TWO HV-T3 (NOT AVAILABLE FOR HVTB-MINI)

MAXIMUM 1 VGA+AUDIO OPTION FOR CABLE PULL T3 BOXES  
 MAXIMUM 1 VGA+AUDIO OPTION FOR CABLE RETRACTOR SYSTEMS

REQUIRED SYSTEM(up to 4 inputs)	FSR P/N	QTY.
HV-T6-FLEX-BLK	17595	1
DV-MFM-74	17794	1
UNDER TABLE BRACKET	17708	1
10 Ft. CAT5E CABLE	28743	1
10 Ft. HDMI CABLE	26852	1
BAG'O PARTS	29937	1

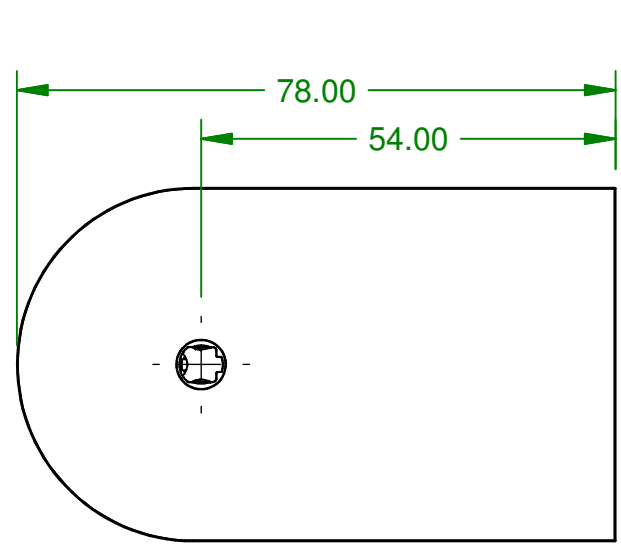
SYSTEM OPTIONS	FSR P/N	QTY.
TWO HV-T3(N.A. FOR HVTB-MINI)	17596	2
HV-T3 RETRACTOR BRACKET	53209	1

The drawing and specifications, herein are the property of FSR Inc. and shall not be reproduced or copied or used in whole or in part as the basis for the manufacture or sale of items without written permission.

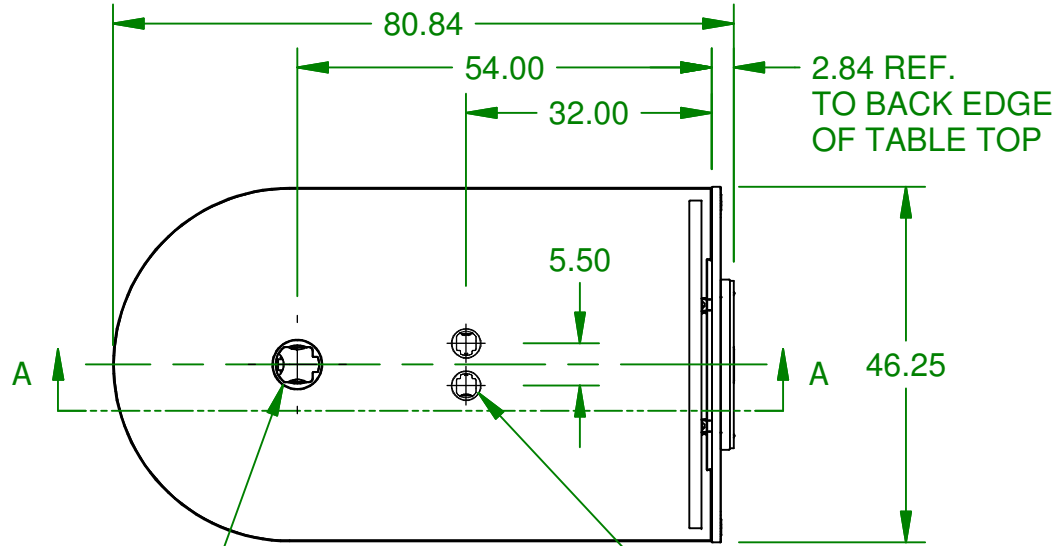
<b>FSR inc.</b> 244 Bergen Blvd. W. Paterson, NJ 07424 Tel: (201) 785-4347	TITLE: HuddleVu FLEX TABLE UP TO 4 INPUT WIRING DIAGRAM FLEX TOUCH with DV-MFMV-74	
	NOTES:	SCALE: -
DATE: 10-09-2015	PAGE 1 OF 1	DRAWN BY: A.B.
UPDATE NO.: INITAL	SIGN OFF:	DWG. NO. 17862
CLIENT:		

- NOTES:  
 1. TABLE HEIGHT SHOWN; COUNTER HEIGHT IS 36.13".  
 2. IF REMOVED, REINSTALL WITH ORIGINAL HARDWARE.

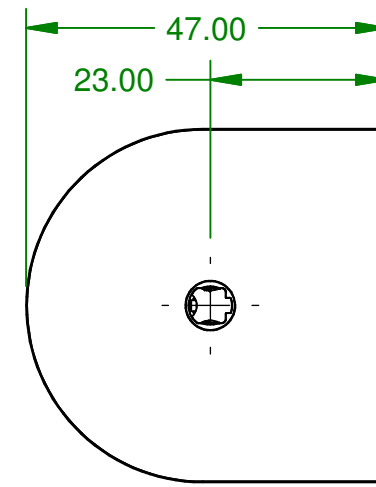
REV	DATE	CHANGE DESCRIPTION
01	10/04/16	ADDED CABLE GUIDE AND CABLE TAKE-UP.



LAYOUT A  
(OPTIONAL)  
SCALE 0.04 : 1

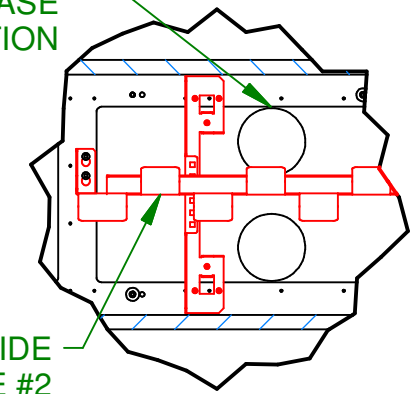


LAYOUT B  
SCALE 0.04 : 1

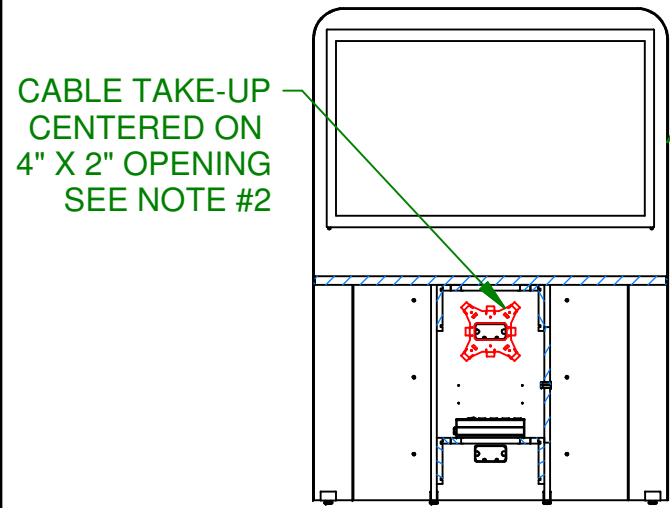


LAYOUT M  
(OPTIONAL)  
SCALE 0.04 : 1

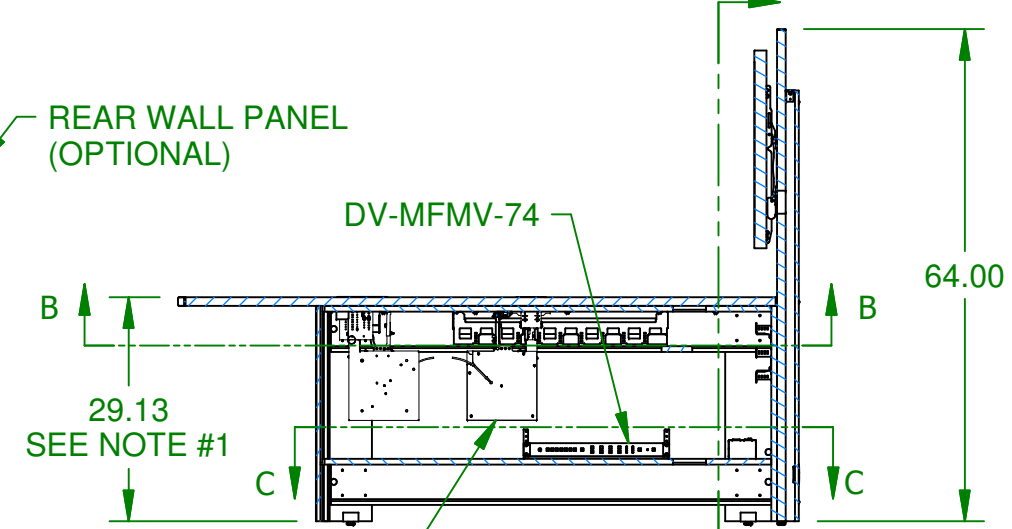
REMOVE MATERIAL AS NEEDED TO EASE T3 INSTALLATION



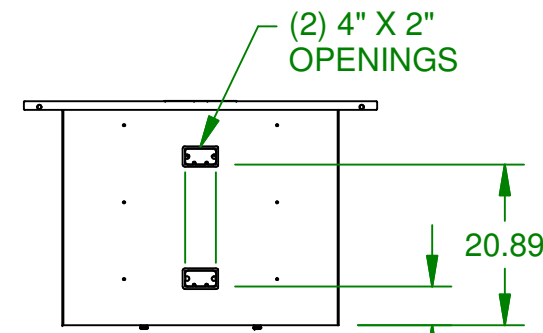
DETAIL E  
T3 OMITTED  
SCALE 0.1 : 1



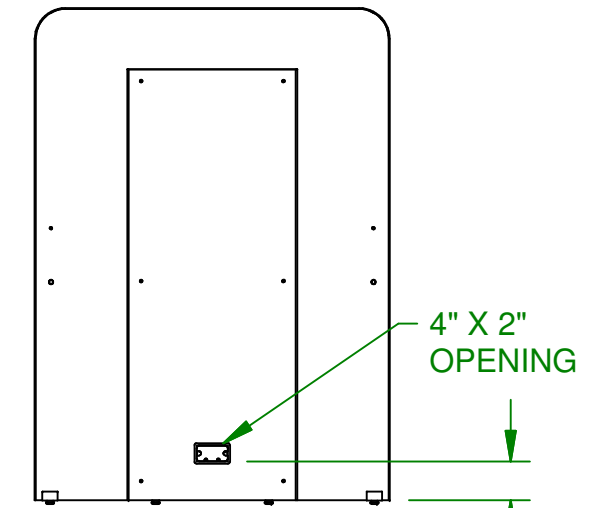
SECTION F-F  
SCALE 0.04 : 1



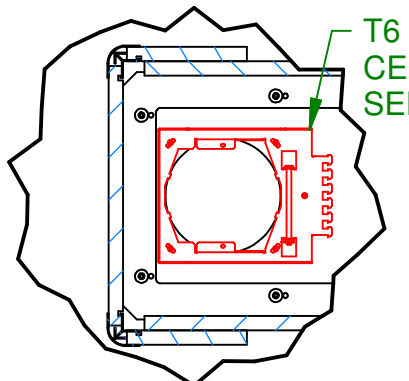
SECTION A-A  
SCALE 0.04 : 1



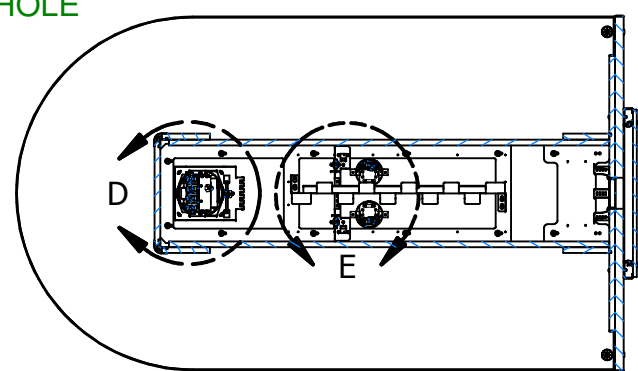
CABLE EXIT - TABLE  
SCALE 0.04 : 1



CABLE EXIT - WALL PANEL  
(OPTIONAL)  
SCALE 0.04 : 1

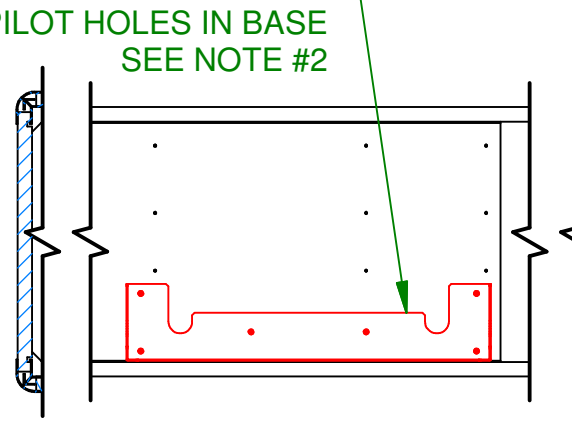


DETAIL D  
T6 OMITTED  
SCALE 0.10 : 1



SECTION B-B  
SCALE 0.04 : 1

2U RACK MOUNT ALIGN WITH PILOT HOLES IN BASE SEE NOTE #2



SECTION C-C  
DV-MFMV-74 OMITTED  
SCALE 0.1 : 1

**FSR inc.**  
 244 BERGEN BLVD.  
 WOODLAND PARK, NJ 07424  
 TEL. (973) 785-4347  
 FAX. (973) 785-3318

TOLERANCES: .XX ±0.2 .XXX ±0.1  
 FRACT: ±1/64 ANGLES: ±1°  
 HOLES or COUNTERBORES, INTENDED FOR PEMs OR OTHER INSERTED HARDWARE: +.003 / -0

FILE NAME: 25B7678 DATE: 10/04/16  
 DIRECTORY: G:\TABLEBOX\TABLES

PROJECT: HV TABLE	
TITLE: HUDDLEVU FLEX TABLE, UP TO 4 INPUTS W/DV-MFMV-74	
SCALE: DO NOT SCALE DRAWING	
ORIGINALLY DRAWN BY: GKV	DATE: 12/10/15
CURRENT REV. DRAWN BY: GKV	DATE: 10/04/16
APPROVED: <b>D Hansen</b>	DATE: 10/04/16
DWG.#: 25B7678	REV: 01
PART#: 17862	