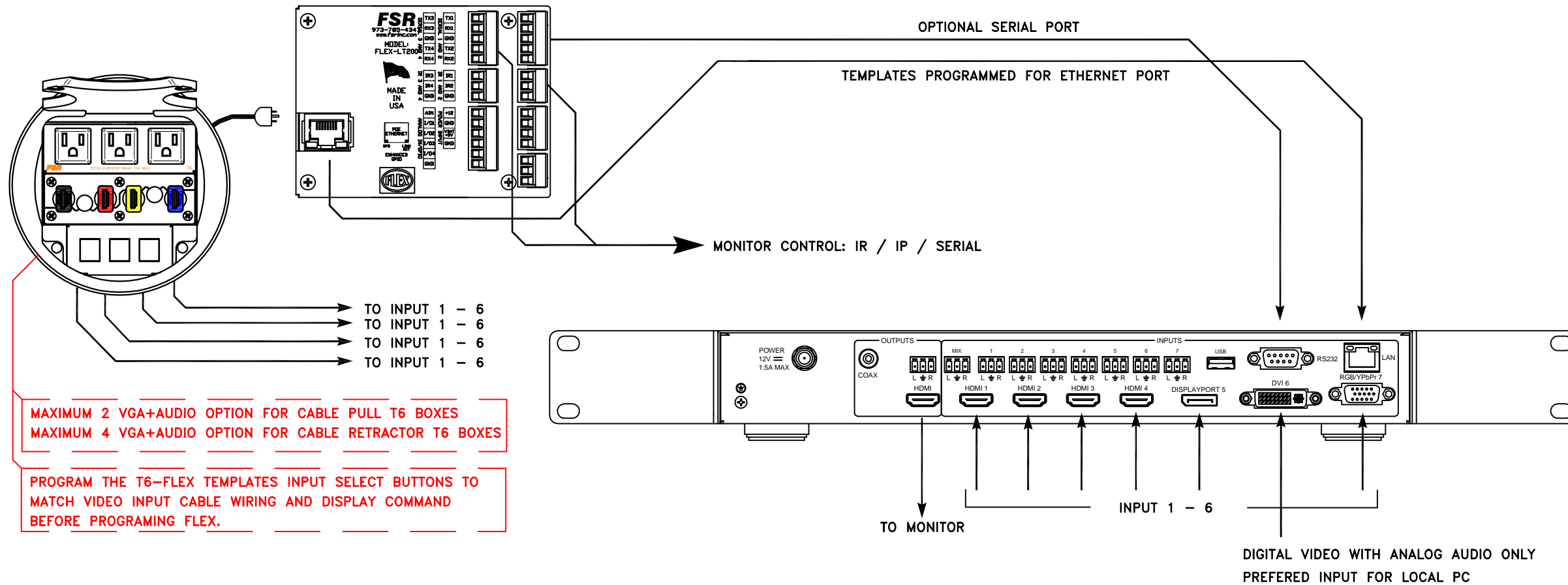


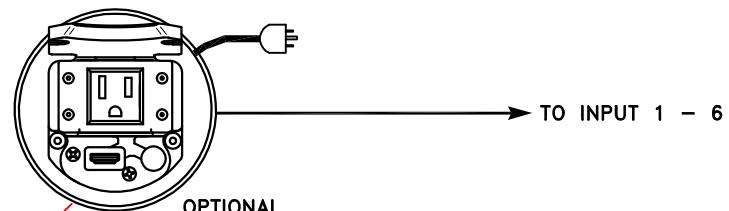
REQUIRED SYSTEM



MAXIMUM 2 VGA+AUDIO OPTION FOR CABLE PULL T6 BOXES
MAXIMUM 4 VGA+AUDIO OPTION FOR CABLE RETRACTOR T6 BOXES

PROGRAM THE T6-FLEX TEMPLATES INPUT SELECT BUTTONS TO
MATCH VIDEO INPUT CABLE WIRING AND DISPLAY COMMAND
BEFORE PROGRAMING FLEX.

OPTIONS FOR HVTB28" AND HVTB-35"



OPTIONAL
TWO HV-T3 (NOT AVAILABLE FOR HVTB-MINI)

MAXIMUM 1 VGA+AUDIO OPTION FOR CABLE PULL T3 BOXES
MAXIMUM 1 VGA+AUDIO OPTION FOR CABLE RETRACTOR SYSTEMS

REQUIRED SYSTEM(up to 4 inputs)	FSR P/N	QTY.
HV-T6-FLEX-BLK	17595	1
DV-MFSS-71	17795	1
UNDER TABLE BRACKET	17708	1
10 Ft. CAT5E CABLE	28743	1
10 Ft. HDMI CABLE	26852	1
BAG'O PARTS	29937	1

SYSTEM OPTIONS	FSR P/N	QTY.
TWO HV-T3 (N.A. FOR HVTB-MINI)	17596	1-2
HV-T3 RETRACTOR BRACKET	53209	1

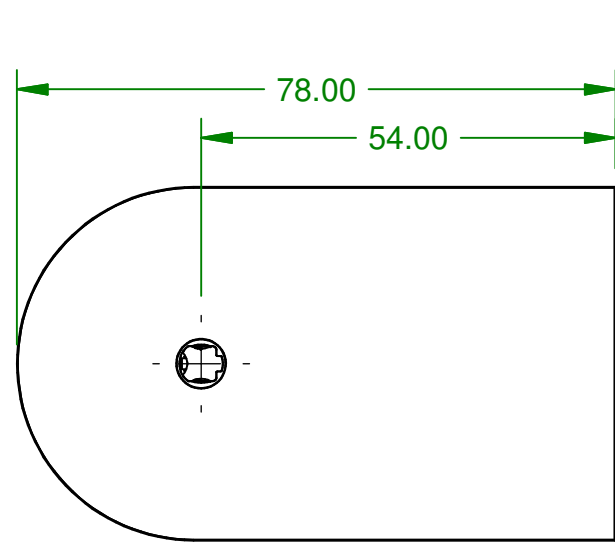
The drawing and specifications, herein are the property of FSR Inc. and shall not be reproduced or copied or used in whole or in part as the basis for the manufacture or sale of items without written permission.

FSR inc. 244 Bergen Blvd. W. Paterson, NJ 07424 Tel: (201) 785-4347	TITLE:
	HuddleVu FLEX TABLE UP TO 7 INPUT WIRING DIAGRAM FLEX TOUCH with DV-MFSS-71

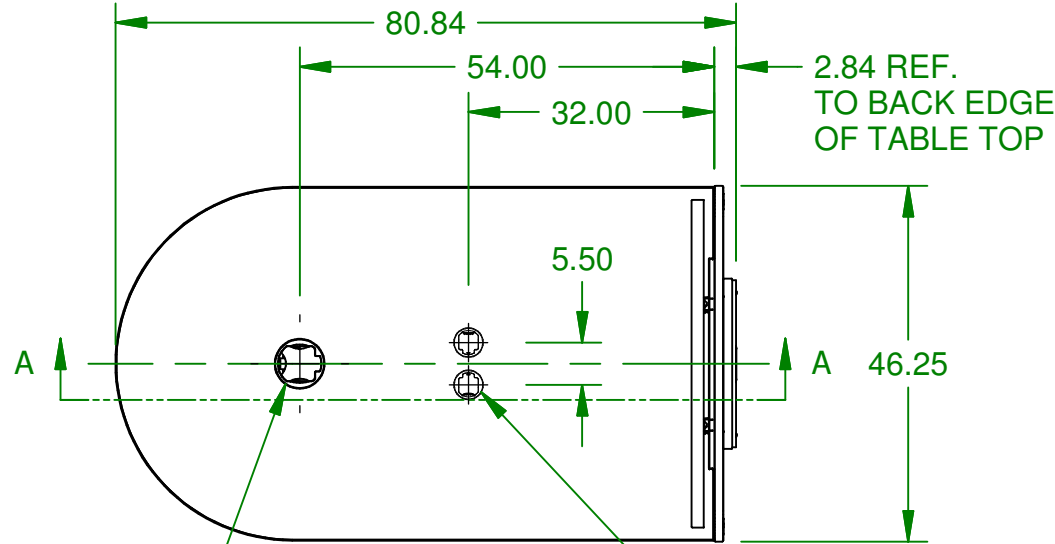
NOTES:	SCALE: -
DATE: 10-09-2015	DRAWN BY: A.B.
UPDATE NO.: INITAL	SIGN OFF:
CLIENT:	DWG. NO. 17861

NOTES:
 1. TABLE HEIGHT SHOWN; COUNTER HEIGHT IS 36.13".
 2. IF REMOVED, REINSTALL WITH ORIGINAL HARDWARE.

REV	DATE	CHANGE DESCRIPTION
01	10/04/16	ADDED CABLE GUIDE AND CABLE TAKE-UP.



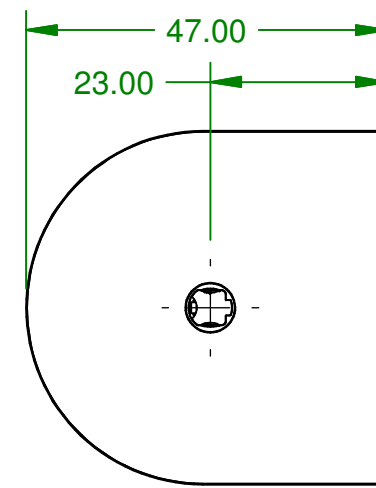
LAYOUT A
(OPTIONAL)
SCALE 0.04 : 1



HV-T6 FLEX
SEE DETAIL "D"

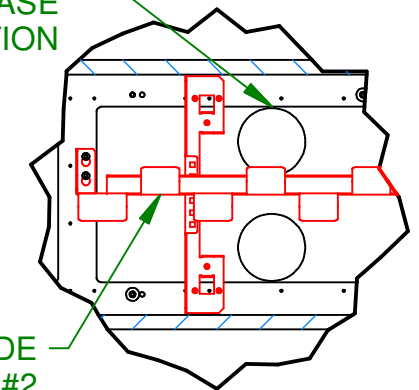
LAYOUT B
SCALE 0.04 : 1

(2) HV-T3
SEE DETAIL "E"



LAYOUT M
(OPTIONAL)
SCALE 0.04 : 1

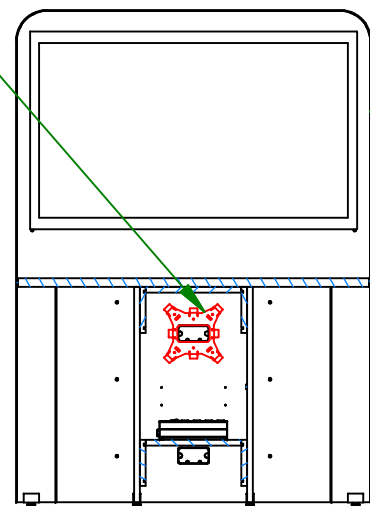
REMOVE MATERIAL
AS NEEDED TO EASE
T3 INSTALLATION



CABLE GUIDE
SEE NOTE #2

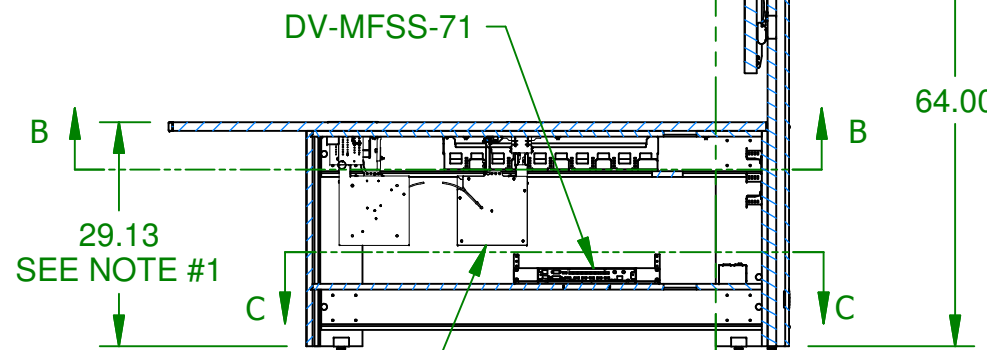
DETAIL E
T3 OMITTED
SCALE 0.1 : 1

CABLE TAKE-UP
CENTERED ON
4" X 2" OPENING
SEE NOTE #2



SECTION F-F
SCALE 0.04 : 1

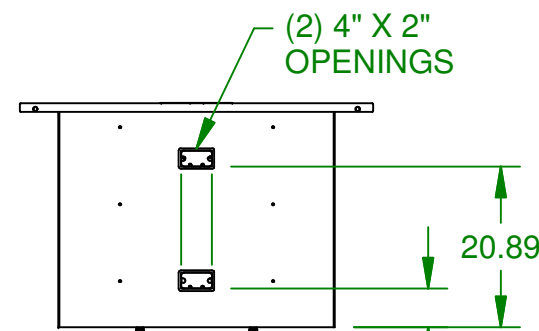
REAR WALL PANEL
(OPTIONAL)



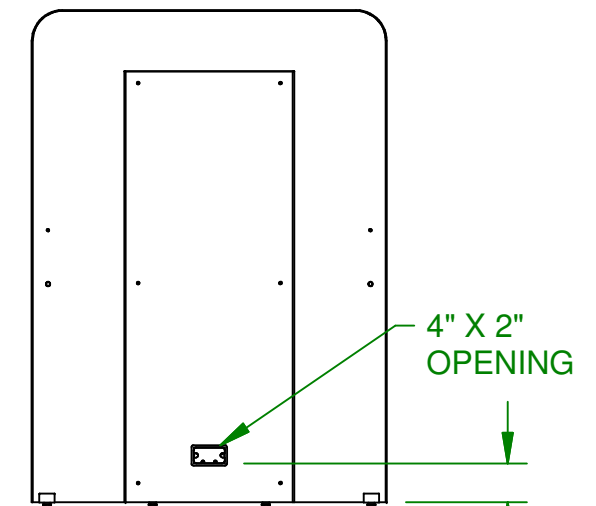
DV-MFSS-71

(6) CABLE RETRACTORS
(OPTIONAL)

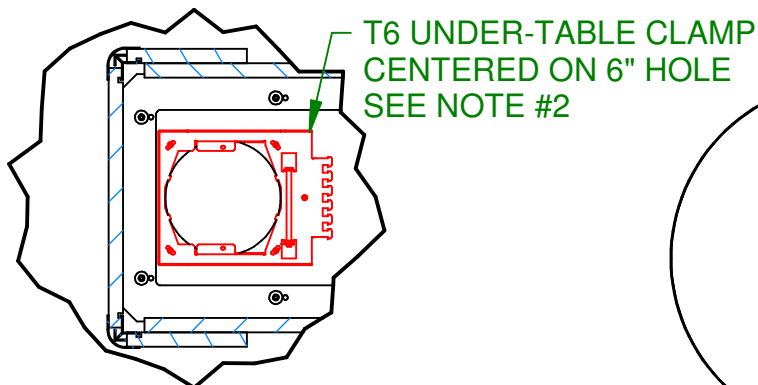
SECTION A-A
SCALE 0.04 : 1



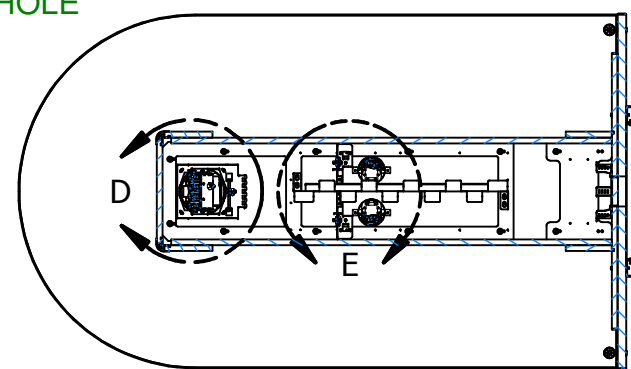
CABLE EXIT - TABLE
SCALE 0.04 : 1



CABLE EXIT - WALL PANEL
(OPTIONAL)
SCALE 0.04 : 1

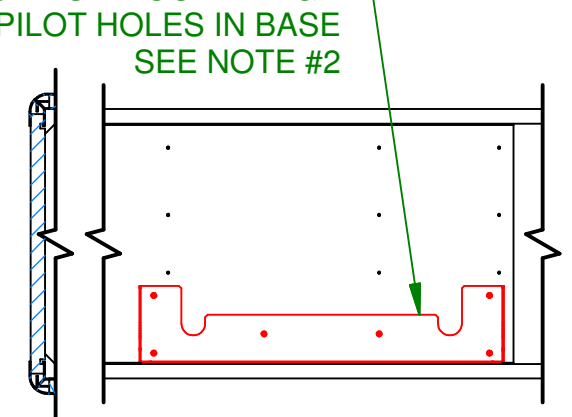


DETAIL D
T6 OMITTED
SCALE 0.10 : 1



SECTION B-B
SCALE 0.04 : 1

2U RACK MOUNT ALIGN
WITH PILOT HOLES IN BASE
SEE NOTE #2



SECTION C-C
DV-MFSS-71 OMITTED
SCALE 0.1 : 1

FSR inc.
 244 BERGEN BLVD.
 WOODLAND PARK, NJ 07424
 TEL. (973) 785-4347
 FAX. (973) 785-3318

TOLERANCES: .XX ±.02 .XXX: ±.01
 FRACT: ±1/64 ANGLES: ±1°
 HOLES or COUNTERBORES, INTENDED FOR PEMs
 OR OTHER INSERTED HARDWARE: +.003 / -0

FILE NAME: 25B7678 DATE: 10/04/16
 DIRECTORY: G:\TABLEBOX\TABLES

PROJECT: HV TABLE		
TITLE: HUDDLEVU FLEX TABLE, UP TO 7 INPUTS W/DV-MFSS-71		
SCALE:	DO NOT SCALE DRAWING	
ORIGINALLY DRAWN BY: GKV	DATE: 12/10/15	
CURRENT REV. DRAWN BY: GKV	DATE: 10/04/16	
APPROVED: D Hansen	DATE: 10/04/16	
DWG.# 25B7678	REV. 01	PART# 17861