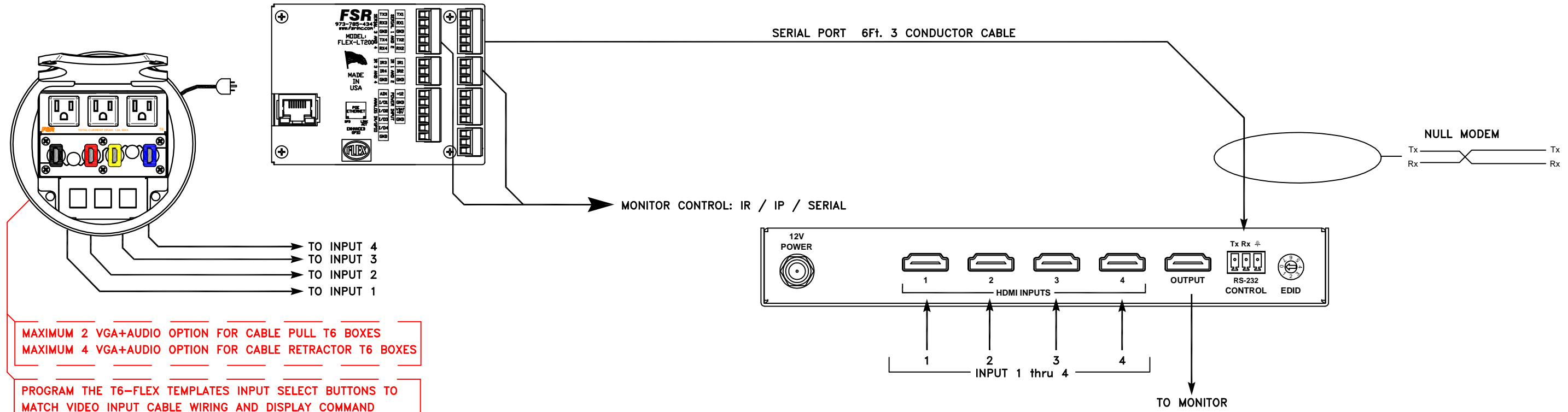


REQUIRED SYSTEM



TO INPUT 4
TO INPUT 3
TO INPUT 2
TO INPUT 1

MAXIMUM 2 VGA+AUDIO OPTION FOR CABLE PULL T6 BOXES
MAXIMUM 4 VGA+AUDIO OPTION FOR CABLE RETRACTOR T6 BOXES

PROGRAM THE T6-FLEX TEMPLATES INPUT SELECT BUTTONS TO MATCH VIDEO INPUT CABLE WIRING AND DISPLAY COMMAND BEFORE PROGRAMING FLEX.

REQUIRED SYSTEM(up to 4 inputs)	FSR P/N	QTY.
HV-T6-FLEX-BLK	17595	1
DV-HSW4K-41	17796	1
6 Ft. 3 CONDUCTOR CABLE	26075	1
10 Ft. HDMI CABLE	26852	1
BAG'O PARTS	29937	1

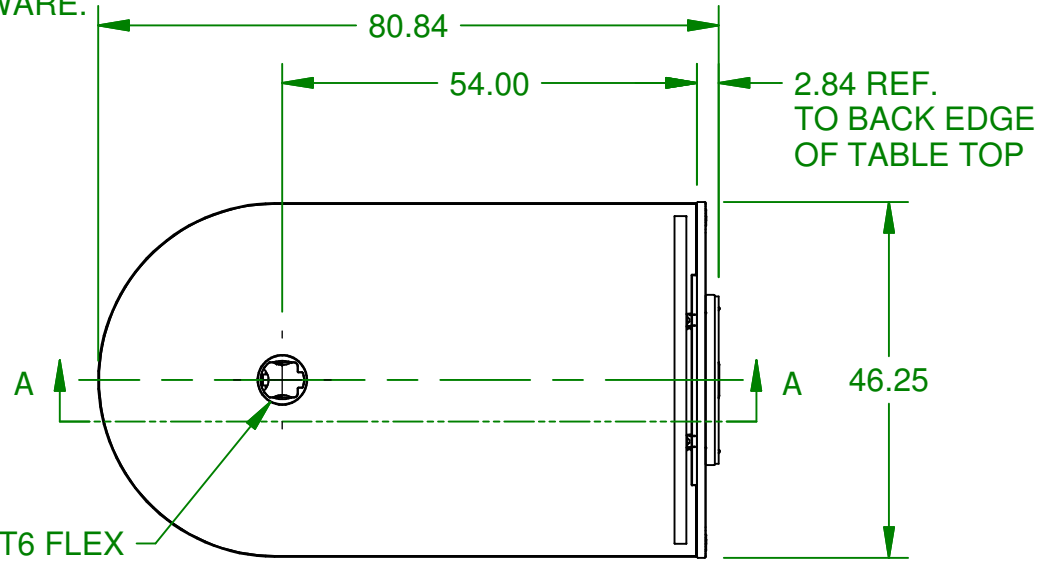
The drawing and specifications, herein are the property of FSR Inc. and shall not be reproduced or copied or used in whole or in part as the basis for the manufacture or sale of items without written permission.

 244 Bergen Blvd. W. Paterson, NJ 07424 Tel: (201) 785-4347	TITLE:
	HuddleVu FLEX TABLE UP TO 4 INPUT WIRING DIAGRAM FLEX TOUCH with DV-HSW4K-41

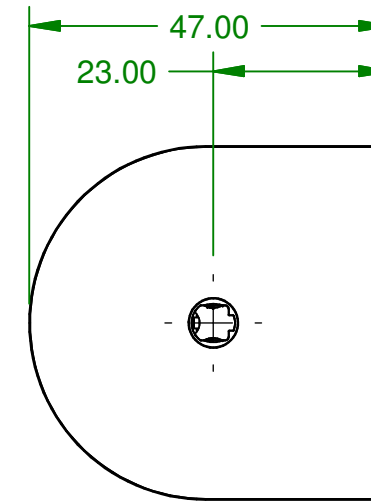
NOTES:	SCALE: -
DATE: 10-09-2015	DRAWN BY: A.B.
UPDATE NO.: INITAL	SIGN OFF:
CLIENT:	DWG. NO. 17860

NOTES:
 1. TABLE HEIGHT SHOWN; COUNTER HEIGHT IS 36.13".
 2. IF REMOVED, REINSTALL WITH ORIGINAL HARDWARE.

REV	DATE	CHANGE DESCRIPTION
01	10/04/16	ADDED CABLE GUIDE AND CABLE TAKE-UP.



LAYOUT A
SCALE 0.04 : 1



LAYOUT M
(OPTIONAL)
SCALE 0.04 : 1

CABLE TAKE-UP
CENTERED ON
4" X 2" OPENING
SEE NOTE #2

HV-T6 FLEX
SEE DETAIL "D"

REAR WALL PANEL
(OPTIONAL)

DV-HSW4K-41

29.13
SEE NOTE #1

(6) CABLE RETRACTORS
(OPTIONAL)

(2) 4" X 2"
OPENINGS

4" X 2"
OPENING

SECTION F-F
SCALE 0.04 : 1

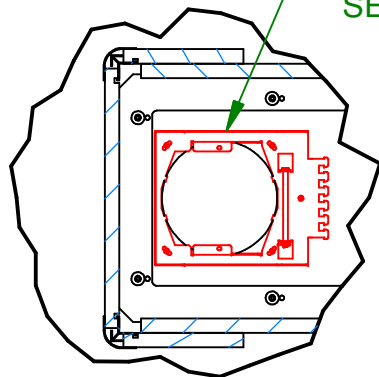
SECTION A-A
SCALE 0.04 : 1

CABLE EXIT - TABLE
SCALE 0.04 : 1

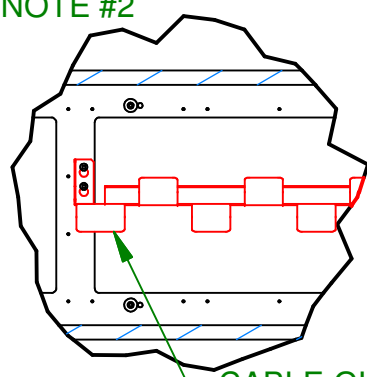
CABLE EXIT - WALL PANEL
(OPTIONAL)
SCALE 0.04 : 1

T6 UNDER-TABLE CLAMP
CENTERED ON 6" HOLE
SEE NOTE #2

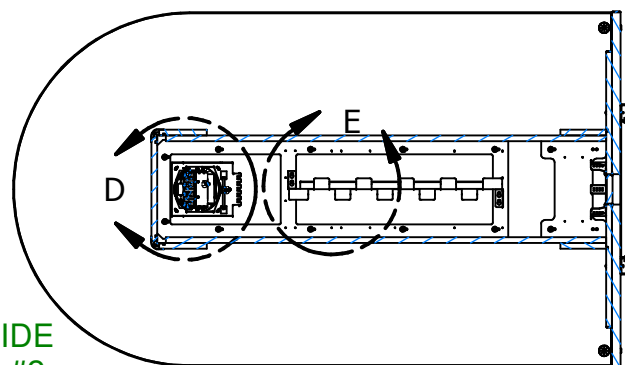
MOUNT TO AVAILABLE
PILOT HOLES IN BASE
SEE NOTE #2



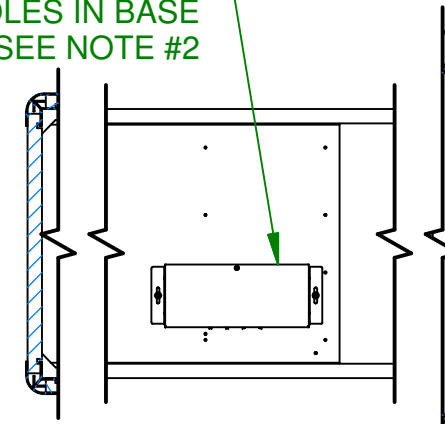
DETAIL D
T6 OMITTED
SCALE 0.1 : 1



DETAIL E
SCALE 0.1 : 1



SECTION B-B
SCALE 0.04 : 1



SECTION C-C
SCALE 0.1 : 1

FSR inc. 244 BERGEN BLVD. WOODLAND PARK, NJ 07424 TEL. (973) 785-4347 FAX. (973) 785-3318		PROJECT: HV TABLE	
TOLERANCES: .XX ±.02 .XXX: ±.01 FRACT: ±1/64 ANGLES: ±1°		TITLE: HUDDLEVU FLEX TABLE, UP TO 4 INPUTS W/DV-HSW4K-41	
HOLES or COUNTERBORES, INTENDED FOR PEMs OR OTHER INSERTED HARDWARE: +.003 / -0		SCALE: DO NOT SCALE DRAWING	
NETWORK INFORMATION:		ORIGINALLY DRAWN BY: GKV	DATE: 12/10/15
FILE NAME: 25B7678	DATE: 10/04/16	CURRENT REV. DRAWN BY: GKV	DATE: 10/04/16
DIRECTORY: G:\TABLEBOX\TABLES		APPROVED: D Hansen	DATE: 10/04/16
DWG.# 25B7678	REV. 01	PART# 17860	