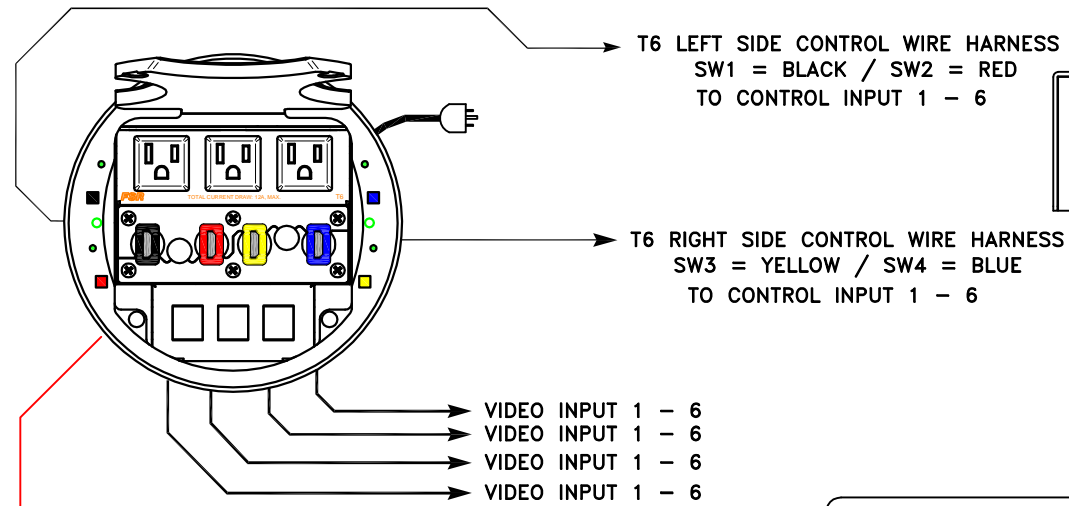


REQUIRED SYSTEM



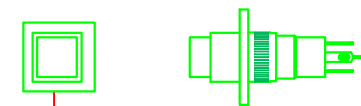
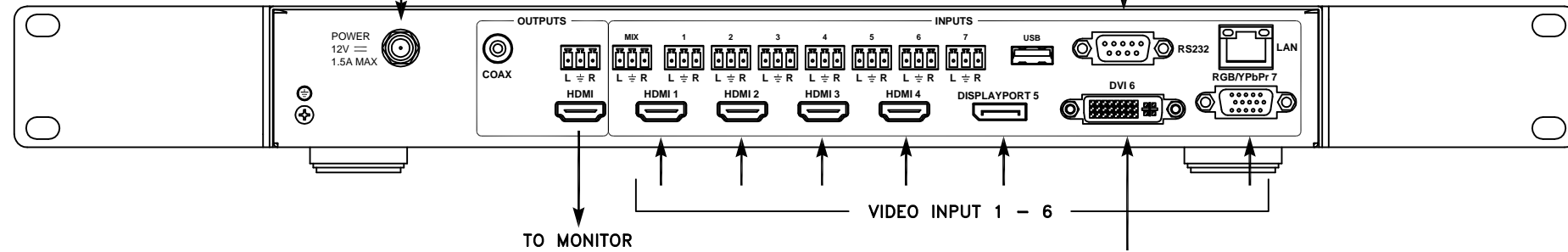
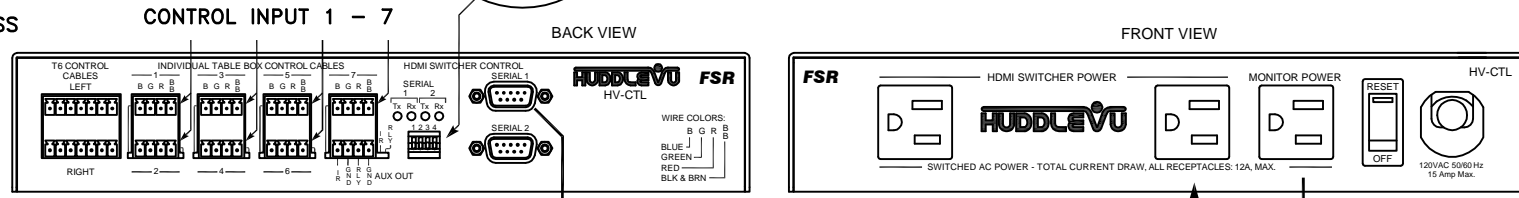
MAXIMUM 2 VGA+AUDIO OPTION FOR CABLE PULL SYSTEMS
VIDEO CABLE AND CONTROL CABLE MUST BE CONNECTED
TO THE SAME INPUT NUMBER

OPTIONS FOR HVTB28" AND HVTB-35"



OPTIONAL
UP TO THREE T3(NOT AVAILABLE FOR HVTB-MINI)

MAXIMUM 1 VGA+AUDIO OPTION FOR CABLE PULL T3 BOXES
MAXIMUM 1 VGA+AUDIO OPTION FOR CABLE RETRACTOR SYSTEMS



FOR LOCAL PC INPUT SELECT
USE /SS-SWMOM-B P/N 15790

REQUIRED SYSTEM(up to 4 inputs)	FSR P/N	QTY.
Huddle-Vu CONTROL UNIT	17493	1
HV-T6-BLK	17491	1
DV-MFSS-71	17795	1
UNDER TABLE BRACKET(2 R.U. BOTTOM)	17708	1
BAG'O CABLES HUDDLE-VU 3	29999	1
BAG'O PARTS	29937	1

SYSTEM OPTIONS(INPUTS 5 - 6)	FSR P/N	QTY.
UP TO 3 T3-FLEX(N.A. FOR HVTB-M)	17492	1
HV-T3 RETRACTOR BRACKET	53209	1

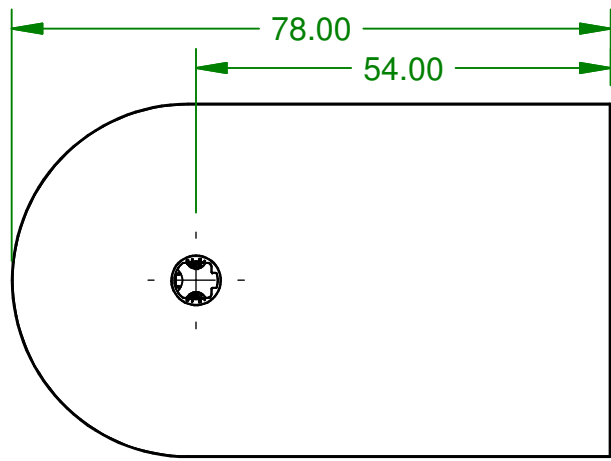
The drawing and specifications, herein are the property of FSR Inc. and shall not be reproduced or copied or used in whole or in part as the basis for the manufacture or sale of items without written permission.

FSR inc. 244 Bergen Blvd. W. Paterson, NJ 07424 Tel: (201) 785-4347	TITLE:
	HuddleVu BUTTON CONTROL TABLE UP TO 7 INPUTS WIRING DIAGRAM BUTTON CONTROL with DV-MFSS-71

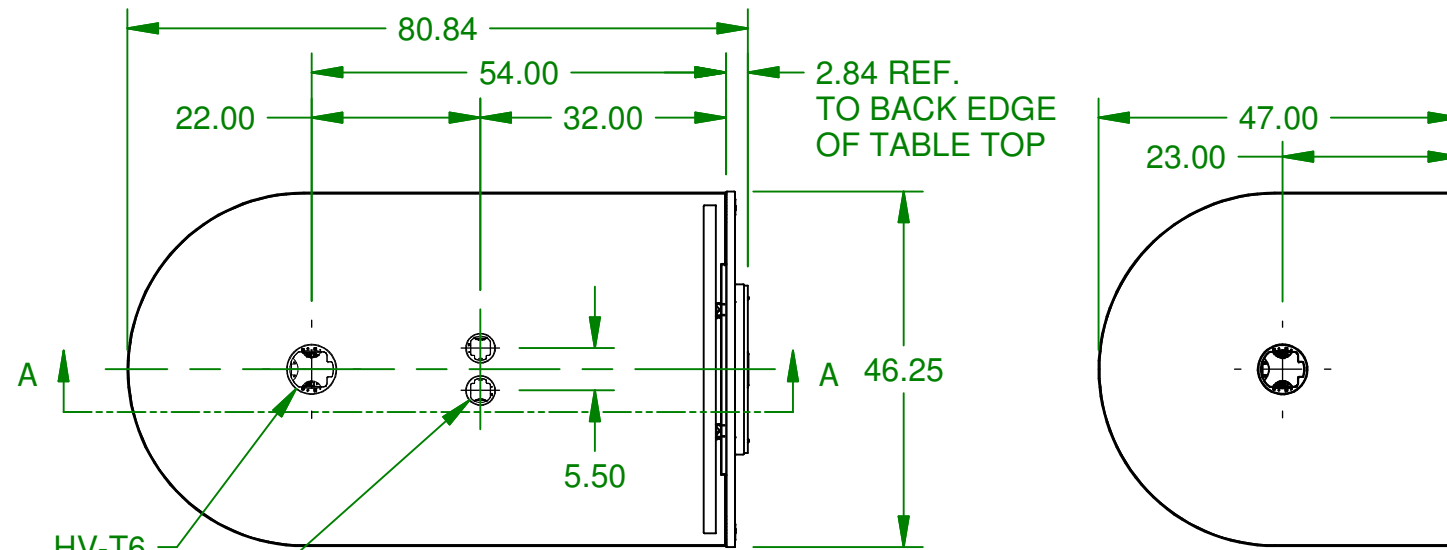
NOTES:	SCALE: -
DATE: 10-12-2015	DRAWN BY: A.B.
UPDATE NO.: INITAL	SIGN OFF:
CLIENT:	DWG. NO. 17859

NOTES:
 1. TABLE HEIGHT SHOWN; COUNTER HEIGHT IS 36.13".
 2. IF REMOVED, REINSTALL WITH ORIGINAL HARDWARE.

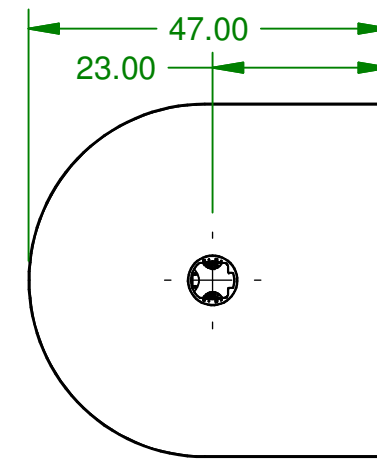
REV	DATE	CHANGE DESCRIPTION
01	10/04/16	ADDED CABLE GUIDE AND CABLE TAKE-UP.



LAYOUT A
(OPTIONAL)
SCALE 0.04 : 1

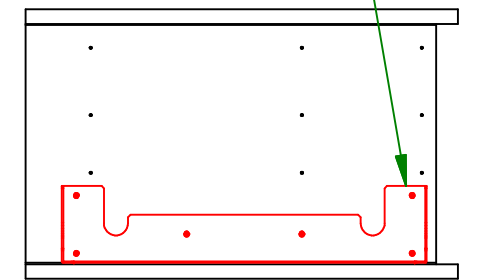


LAYOUT B
SCALE 0.04 : 1



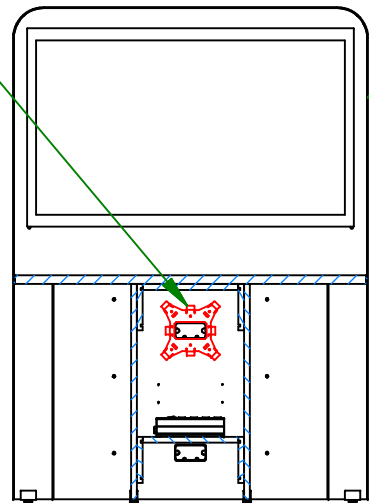
LAYOUT M
(OPTIONAL)
SCALE 0.04 : 1

2U RACK MOUNT ALIGN WITH PILOT HOLES IN BASE SEE NOTE #2



SECTION F-F
DV-MFSS-71 OMITTED
SCALE 0.1 : 1

CABLE TAKE-UP CENTERED ON 4" X 2" OPENING SEE NOTE #2



SECTION G-G
SCALE 0.04 : 1

REAR WALL PANEL (OPTIONAL)

TO BE DETERMINED BY MONITOR CABLE

SHELF IS MOVEABLE- DO NOT GLUE

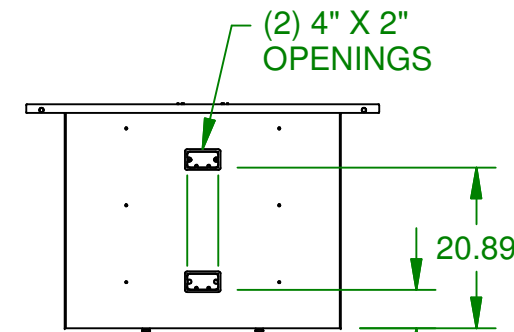
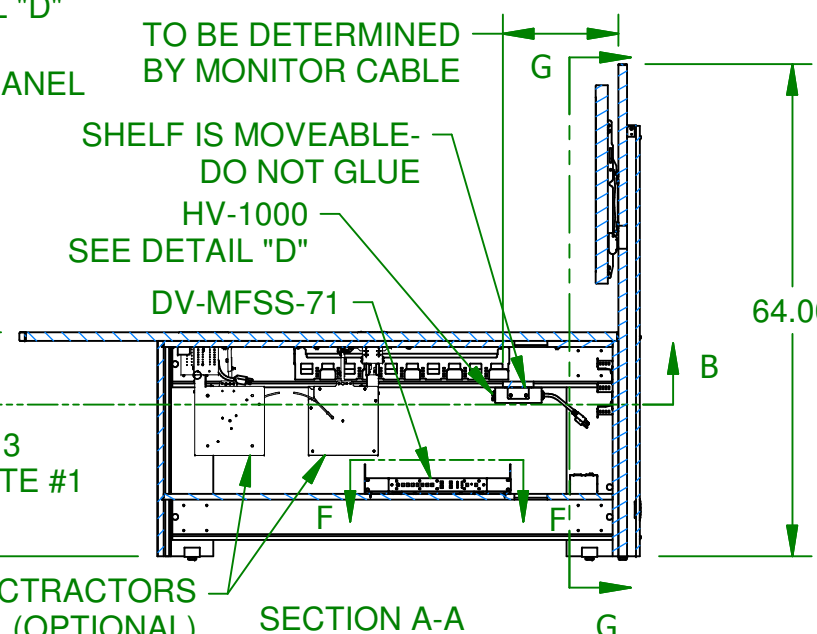
HV-1000 SEE DETAIL "D"

DV-MFSS-71

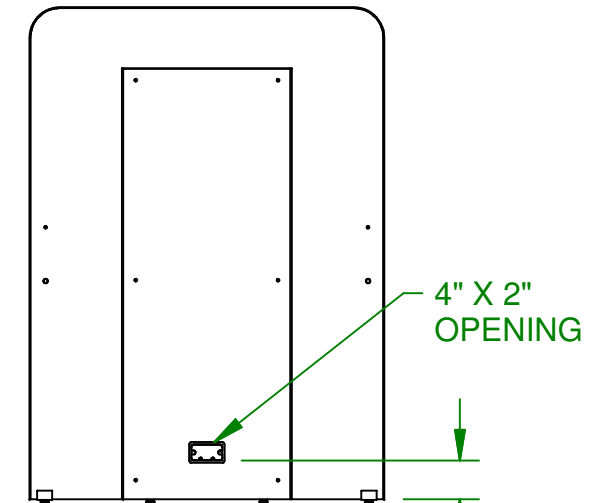
29.13 SEE NOTE #1

(6) CABLE RETRACTORS (OPTIONAL)

SECTION A-A
SCALE 0.04 : 1

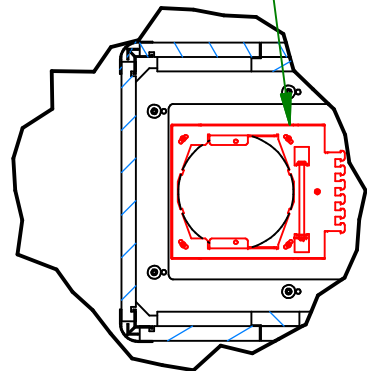


CABLE EXIT - TABLE
SCALE 0.04 : 1



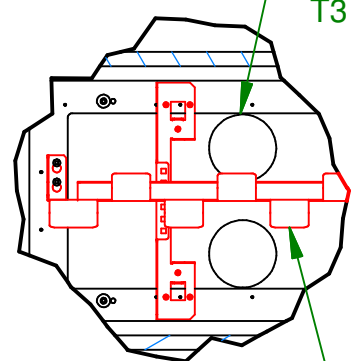
CABLE EXIT - WALL PANEL (OPTIONAL)
SCALE 0.04 : 1

T6 UNDER-TABLE CLAMP CENTERED ON 6" HOLE SEE NOTE #2



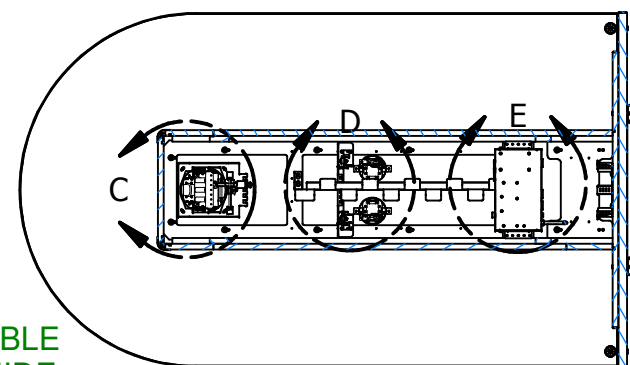
DETAIL C
T6 OMITTED
SCALE 0.1 : 1

REMOVE MATERIAL AS NEEDED TO EASE T3 INSTALLATION



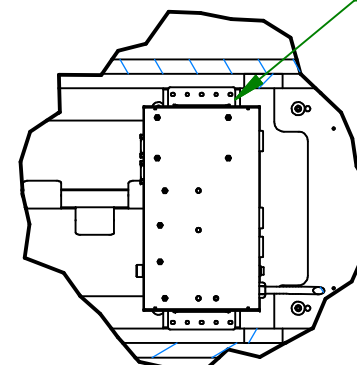
DETAIL D
T3 OMITTED (OPTIONAL)
SCALE 0.1 : 1

CABLE GUIDE SEE NOTE #2



SECTION B-B
SCALE 0.04 : 1

HV UNIT CENTERED ON SHELF SEE NOTE #2



DETAIL E
SCALE 0.1 : 1

FSR inc. 244 BERGEN BLVD. WOODLAND PARK, NJ 07424 TEL. (973) 785-4347 FAX. (973) 785-3318		PROJECT: HV TABLE	
		TITLE: HUDDLEVU BTN CTRL TABLE, UP TO 7 INPUTS W/DV-MFSS-71	
TOLERANCES: .XX ±0.2 .XXX ±0.1 FRACT: ±1/64 ANGLES: ±1°		SCALE: DO NOT SCALE DRAWING	ORIGINALLY DRAWN BY: GKV DATE: 12/10/15
HOLES or COUNTERBORES, INTENDED FOR PEMs OR OTHER INSERTED HARDWARE: +.003 / -0		APPROVED: D Hansen DATE: 10/04/16	CURRENT REV. DRAWN BY: GKV DATE: 10/04/16
NETWORK INFORMATION:		DWG.#: 25B7678	REV. PART#: 01 17859
FILE NAME: 25B7678 DATE: 10/04/16		DIRECTOR: G:\TABLEBOX\TABLES	