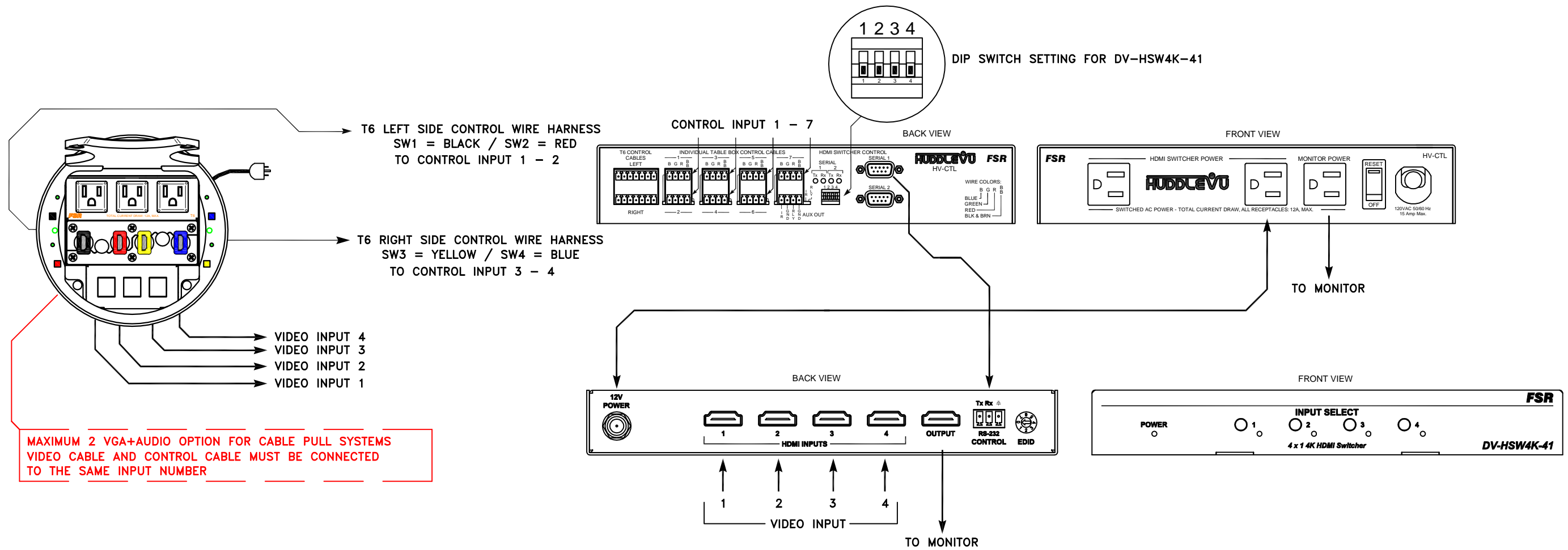


REQUIRED SYSTEM



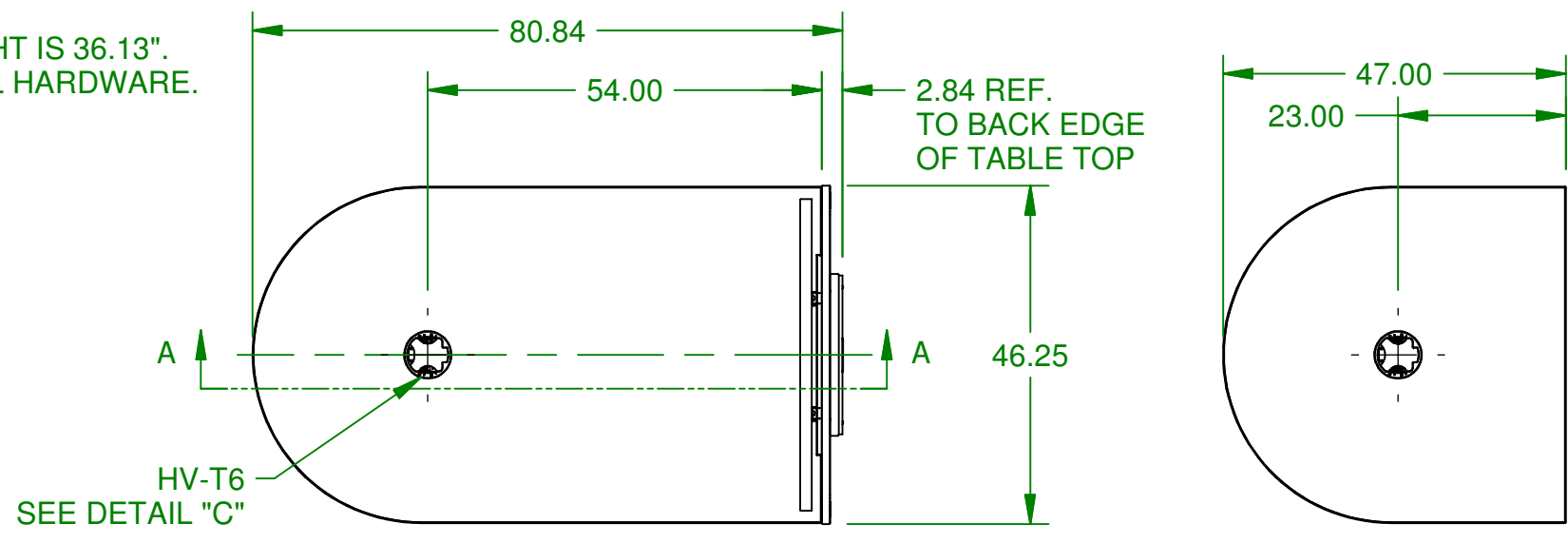
REQUIRED SYSTEM(up to 4 inputs)	FSR P/N	QTY.
Huddle-Vu CONTROL UNIT	17493	1
HV-T6-BLK	17491	1
DV-HSW4K-41	17796	1
UNDER TABLE BRACKET	17523	1
BAG'O CABLES	29996	1
BAG'O PARTS	29937	1

The drawing and specifications, herein are the property of FSR Inc. and shall not be reproduced or copied or used in whole or in part as the basis for the manufacture or sale of items without written permission.

<b>FSR inc.</b> 244 Bergen Blvd. W. Paterson, NJ 07424 Tel: (201) 785-4347	TITLE: HuddleVu BUTTON CONTROL TABLE UP TO 4 INPUTS WIRING DIAGRAM BUTTON CONTROL W/DV-HSW4K-41	
	NOTES:	SCALE: -
DATE: 10-12-2015		DRAWN BY: A.B.
UPDATE NO.: INITAL	PAGE 1 OF 1	SIGN OFF:
CLIENT:		DWG. NO. 17744

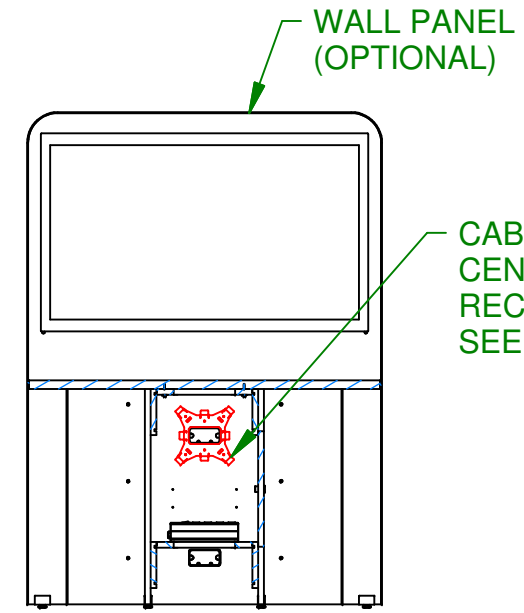
NOTES:  
 1. TABLE HEIGHT SHOWN; COUNTER HEIGHT IS 36.13".  
 2. IF REMOVED, REINSTALL WITH ORIGINAL HARDWARE.

REV.	DATE	CHANGE DESCRIPTION
01	10/04/16	ADDED CABLE GUIDE AND CABLE TAKE-UP.

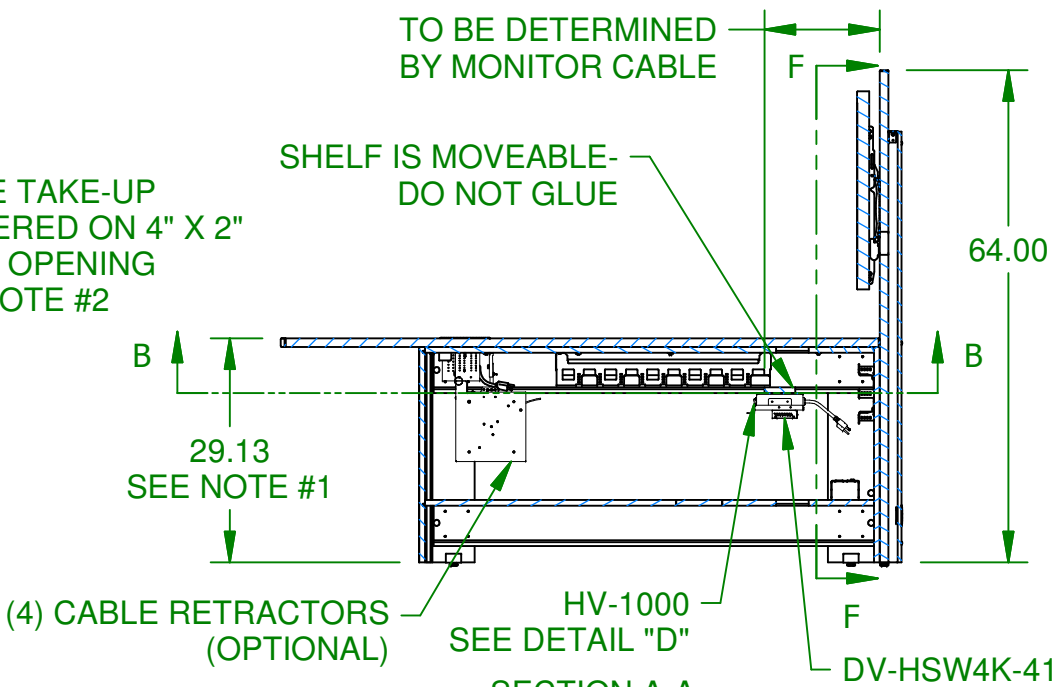


LAYOUT A  
SCALE 0.04 : 1

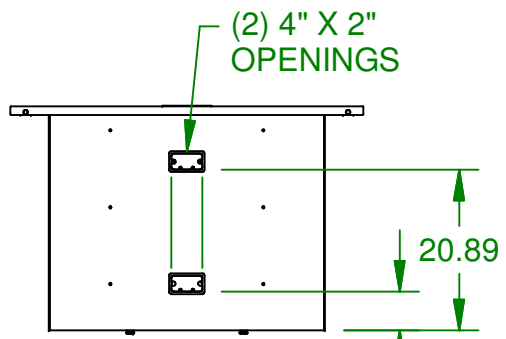
LAYOUT M  
(OPTIONAL)  
SCALE 0.04 : 1



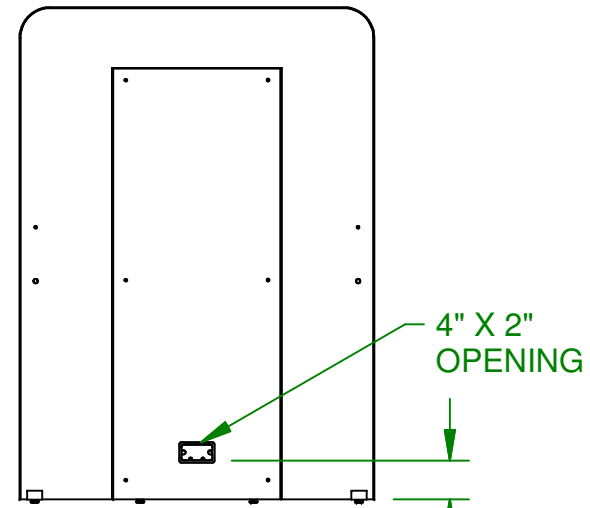
SECTION F-F  
SCALE 0.04 : 1



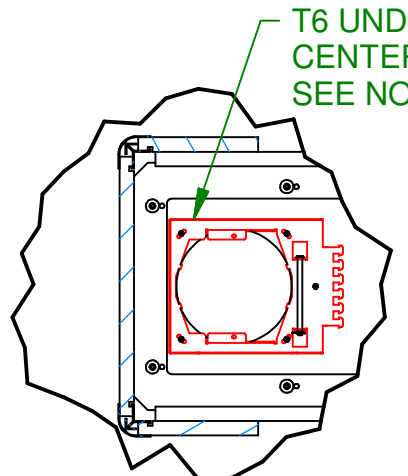
SECTION A-A  
SCALE 0.04 : 1



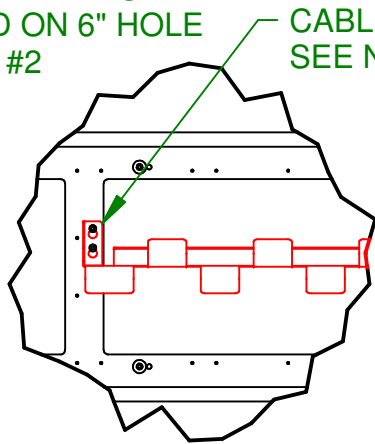
CABLE EXIT - TABLE  
SCALE 0.04 : 1



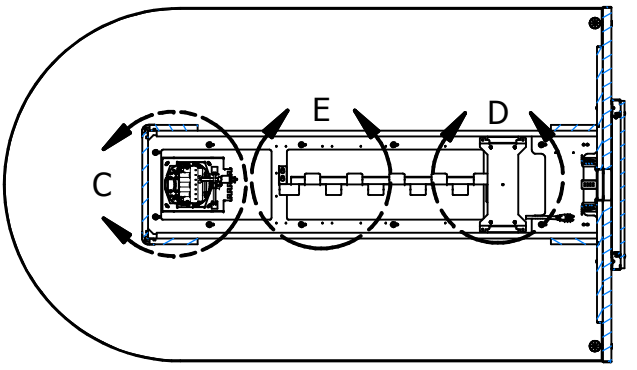
CABLE EXIT - WALL PANEL  
(OPTIONAL)  
SCALE 0.04 : 1



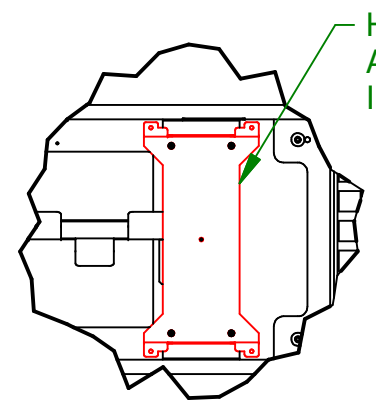
DETAIL C  
T6 OMITTED  
SCALE 0.1 : 1



DETAIL E  
SCALE 0.1 : 1



SECTION B-B  
SCALE 0.04 : 1



DETAIL D  
MOUNTED UNITS OMITTED  
SCALE 0.1 : 1

**FSR inc.**  
 244 BERGEN BLVD.  
 WOODLAND PARK, NJ 07424  
 TEL. (973) 785-4347  
 FAX. (973) 785-3318

TOLERANCES: .XX ±.02 .XXX: ±.01  
 FRACT: ±1/64 ANGLES: ±1°  
 HOLES or COUNTERBORES, INTENDED FOR PEMs  
 OR OTHER INSERTED HARDWARE: +.003 / -0

FILE NAME: 25B7678 DATE: 10/04/16  
 DIRECTORY: G:\TABLEBOX\TABLES

PROJECT: HV TABLE	
TITLE: HUDDLEVU BTN CTRL TABLE, UP TO 4 INPUTS W/DV-HSW4K-41	
SCALE: DO NOT SCALE DRAWING	
ORIGINALLY DRAWN BY: GKV	DATE: 12/10/15
CURRENT REV: GKV	DATE: 10/04/16
APPROVED: <b>D Hansen</b>	DATE: 10/04/16
DWG.#: 25B7678	REV: 01
PART#: 17744	