

CEILING BOX VIEW FROM TOP
(TOP PANEL SHOWN REMOVED)

APPLICATION:

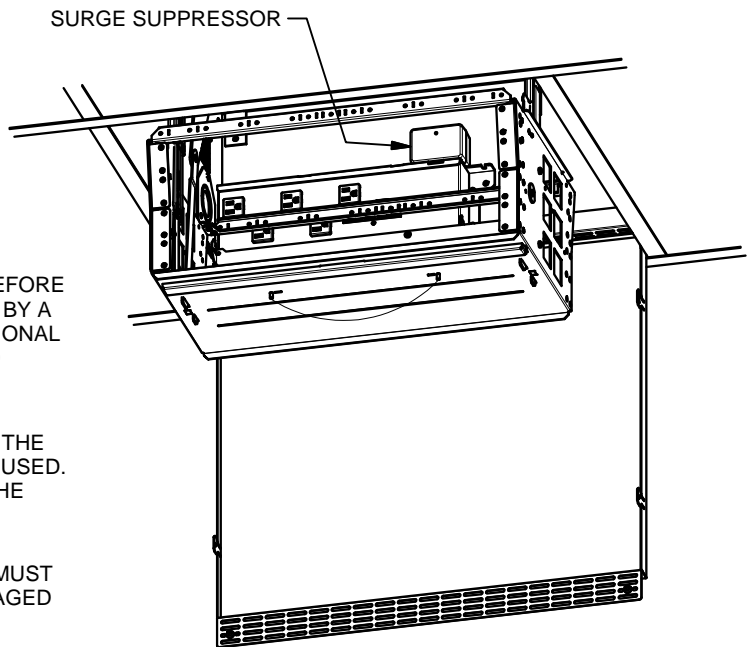
THE SG-120HW CAN BE INSTALLED IN CONJUNCTION WITH THE CB-12/CB-22/CB-224 SERIES OF CEILING BOXES, OR ANY OTHER APPLICATION WHERE IT IS DESIRED TO PROVIDE SURGE PROTECTION OF A SINGLE 15 AMP 120VAC BRANCH CIRCUIT.

INSTALLATION INSTRUCTIONS:

CAUTION:

ENSURE THE BRANCH CIRCUIT IS DISCONNECTED BEFORE INSTALLATION. THIS DEVICE SHOULD BE INSTALLED BY A QUALIFIED ELECTRICIAN IN ACCORDANCE WITH NATIONAL AND LOCAL ELECTRICAL CODES AND ALL ENCLOSED INSTRUCTIONS.

1. MOUNT SG-120HW TO CEILING BOX AT DESIRED KO LOCATION. ON CB-12 AND CB-22 MODELS, EITHER OF THE TWO PROVIDED BRANCH CIRCUIT INPUT KO'S MAY BE USED. ON THE CB-224 MODELS, USE THE KO INDICATED IN THE DETAIL DRAWING ABOVE.
2. WIRE DIRECTLY IN PARALLEL WITH INCOMING 15 AMP 120VAC BRANCH CIRCUIT. INCOMING LINE VOLTAGE MUST NOT EXCEED 120VAC OR SUPPRESSOR WILL BE DAMAGED AND WARRANTY VOID.



CEILING BOX VIEW FROM BOTTOM
(CARRIAGE SHOWN IN DOWN POSITION)