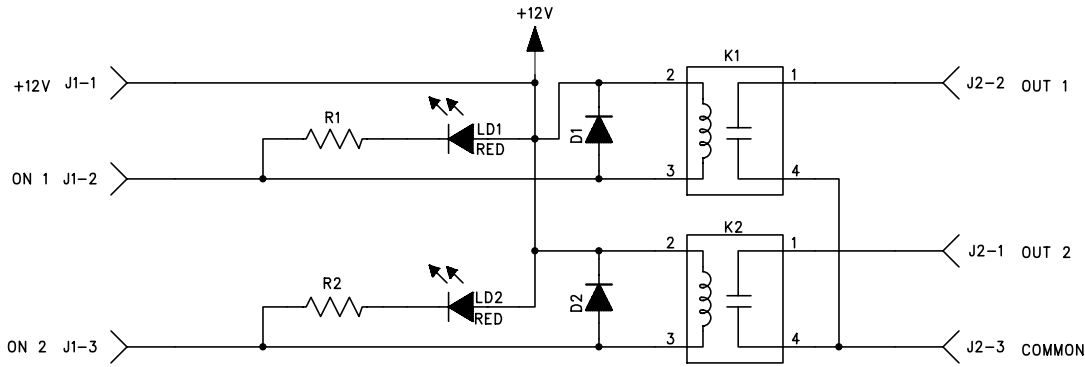
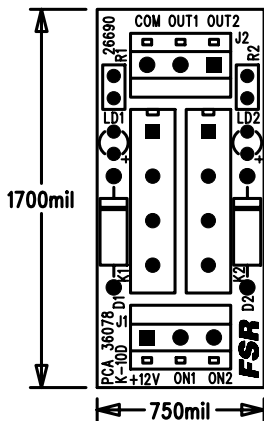
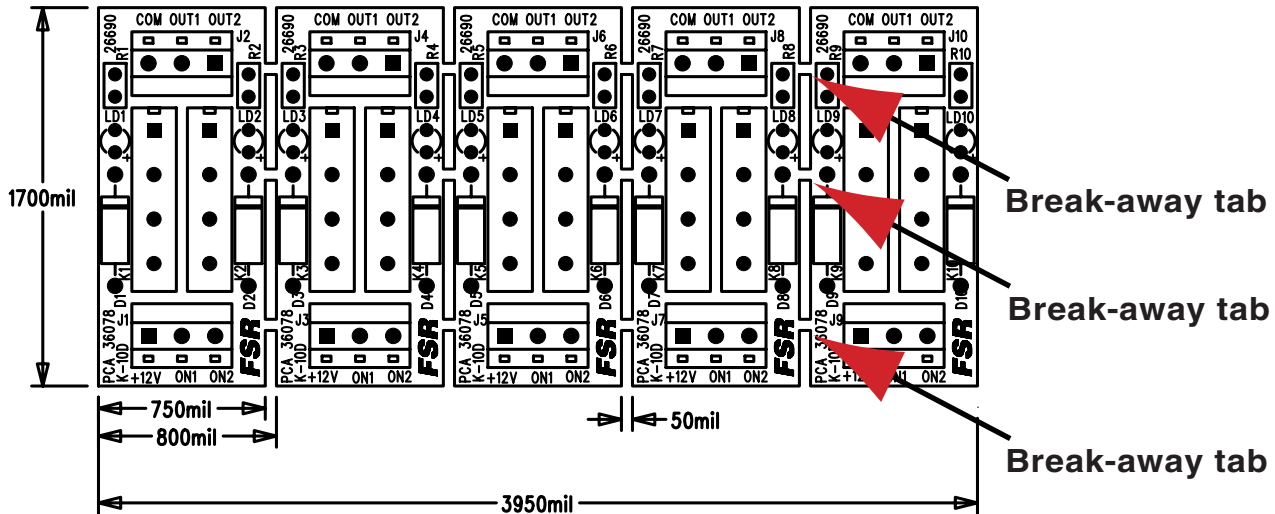


K-10D Relay Module



Schematic

Use all five modules in strip or break them into individual modules.
When used as a strip +12V is jumped together on all modules.



Use enclosed Velcro to attach relay modules.
Orient the two strips of Velcro along both 4" widths of the board to insulate solder side of the board from mounting surface, or cut to individual pieces for single module.

FSR

244 BERGEN BLVD.
W. PATERSON, NJ 07424
TEL. (973) 785-4347

K-10D Relay Module

PRODUCT:	K-10D	PART#	17296
DRAWN BY:	AB	DATE:	10-12-2011
APPROVED BY:		DATE:	
DWG.#	C-1154	REV.	PAGE OF

REV. LEVEL	REF. ECO	REV. DATE	APPROVED	DESCRIPTION