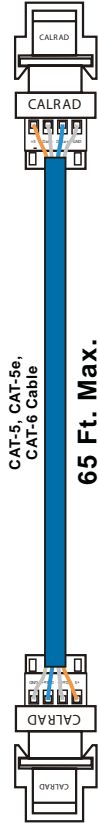
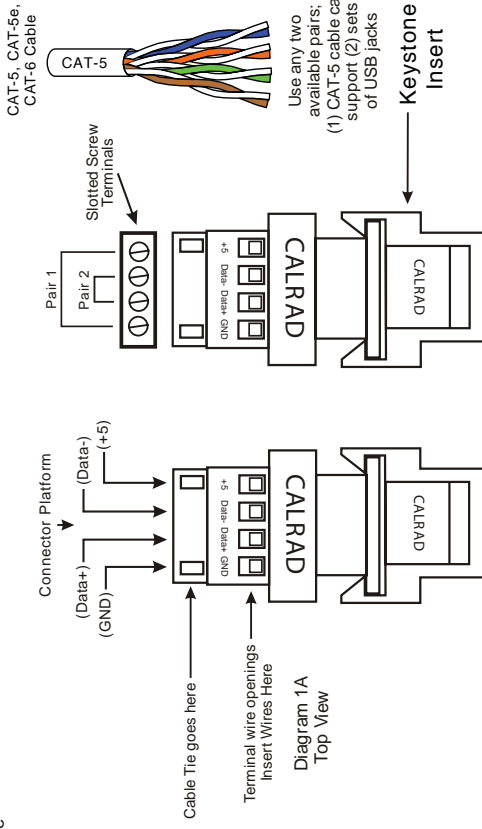


## Wiring Instructions & Technical Data

4" Black Cable Tie



### UTP Cable preparation:

**Please note!** Depending on the cable type and size, the stripping lengths shown and assembly instructions may not apply to your specific cable or installation; use the basic guidelines listed below to wire the connector:

1. Strip the overall cable jacket back .375", exposing 4 pairs of UTP cable
2. Strip each individual UTP cable .25"
3. Lay the cable across the connector platform.
4. Install the 4" cable tie, do not tighten the tie all the way, use just enough to hold the cable in place during assembly.
5. Insert the stripped "GND" and "+5" conductors first, use a flathead screwdriver to secure the wires.
6. Tighten the cable tie to complete the assembly process.
7. Make sure your wiring is consistent from one connector to the other.

### Specifications:

Terminal Set Screw: Slotted Head  
Accepts Wire Size: 20-28 gauge cable, use (Cat5, Cat5e, Cat6)  
Works with USB type 1.1, 2.0 devices  
Insulation resistance: 500M ohms or more @ 500V  
Insertion Loss: <.5db  
Connector Type: 4 Pin Gold Female USB Type A Jack  
Distance between connectors: 65 ft. maximum  
Color: Black; Mounting Depth: 1.93"

Specifications subject to change without notice, Calrad Electronics

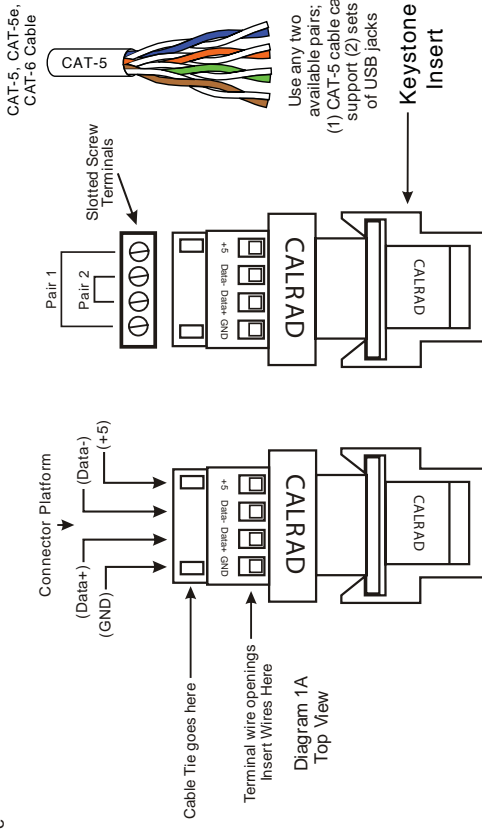
FSR C-1135 P/N 43206

(1) CUT OFF AND DISCARD THIS AREA AT THIS LINE

(2) CUT IN HALF ALONG THIS LINE

## Wiring Instructions & Technical Data

4" Black Cable Tie



### UTP Cable preparation:

**Please note!** Depending on the cable type and size, the stripping lengths shown and assembly instructions may not apply to your specific cable or installation; use the basic guidelines listed below to wire the connector:

1. Strip the overall cable jacket back .375", exposing 4 pairs of UTP cable
2. Strip each individual UTP cable .25"
3. Lay the cable across the connector platform.
4. Install the 4" cable tie, do not tighten the tie all the way, use just enough to hold the cable in place during assembly.
5. Insert the stripped "GND" and "+5" conductors first, use a flathead screwdriver to secure the wires.
6. Tighten the cable tie to complete the assembly process.
7. Make sure your wiring is consistent from one connector to the other.

### Specifications:

Terminal Set Screw: Slotted Head  
Accepts Wire Size: 20-28 gauge cable, use (Cat5, Cat5e, Cat6)  
Works with USB type 1.1, 2.0 devices  
Insulation resistance: 500M ohms or more @ 500V  
Insertion Loss: <.5db  
Connector Type: 4 Pin Gold Female USB Type A Jack  
Distance between connectors: 65 ft. maximum  
Color: Black; Mounting Depth: 1.93"

Specifications subject to change without notice, Calrad Electronics

FSR C-1135 P/N 43206

(1) CUT OFF AND DISCARD THIS AREA AT THIS LINE