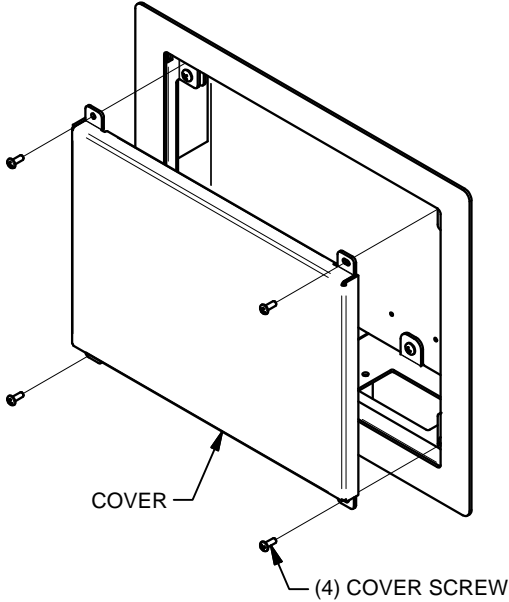
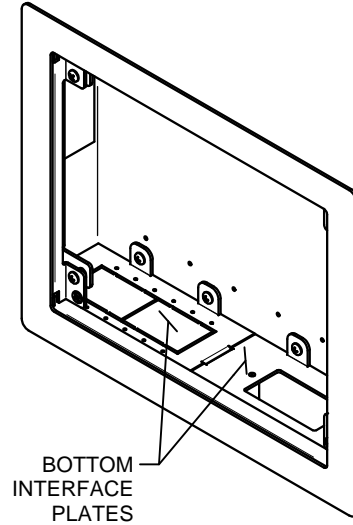


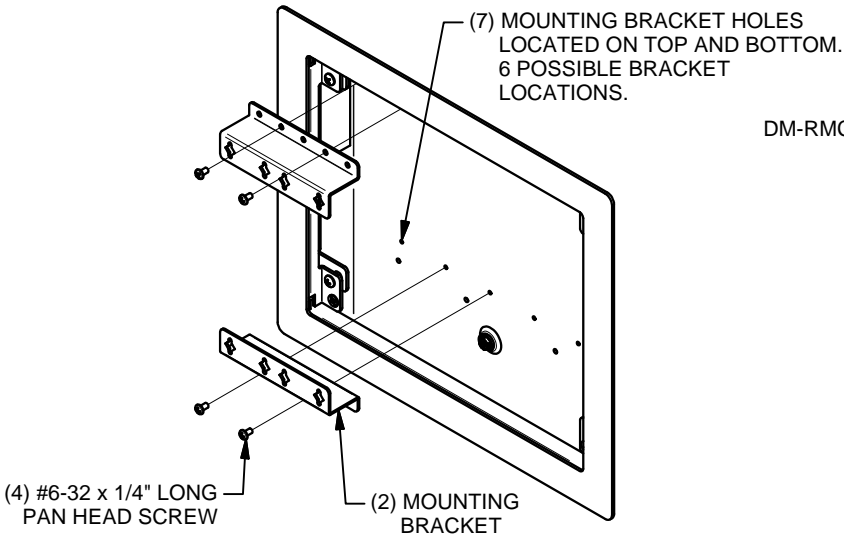
1. REMOVE COVER AND RETAIN COVER AND SCREWS FOR REINSTALLTION.



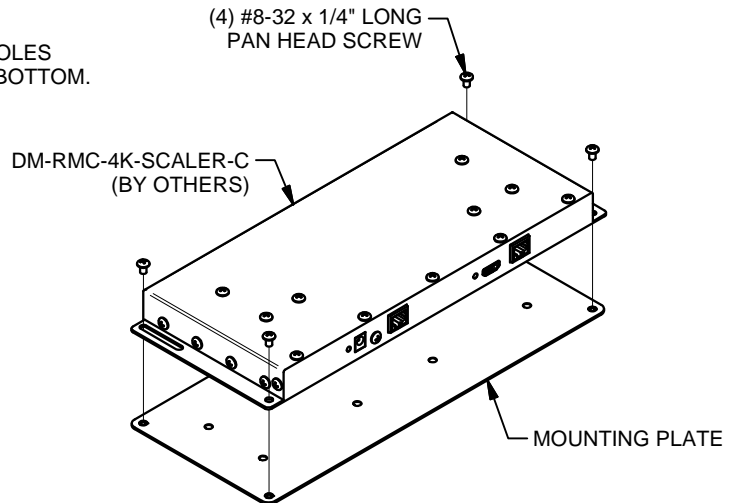
2. REMOVE BOTTOM INTERFACE PLATES AND DISCARD.



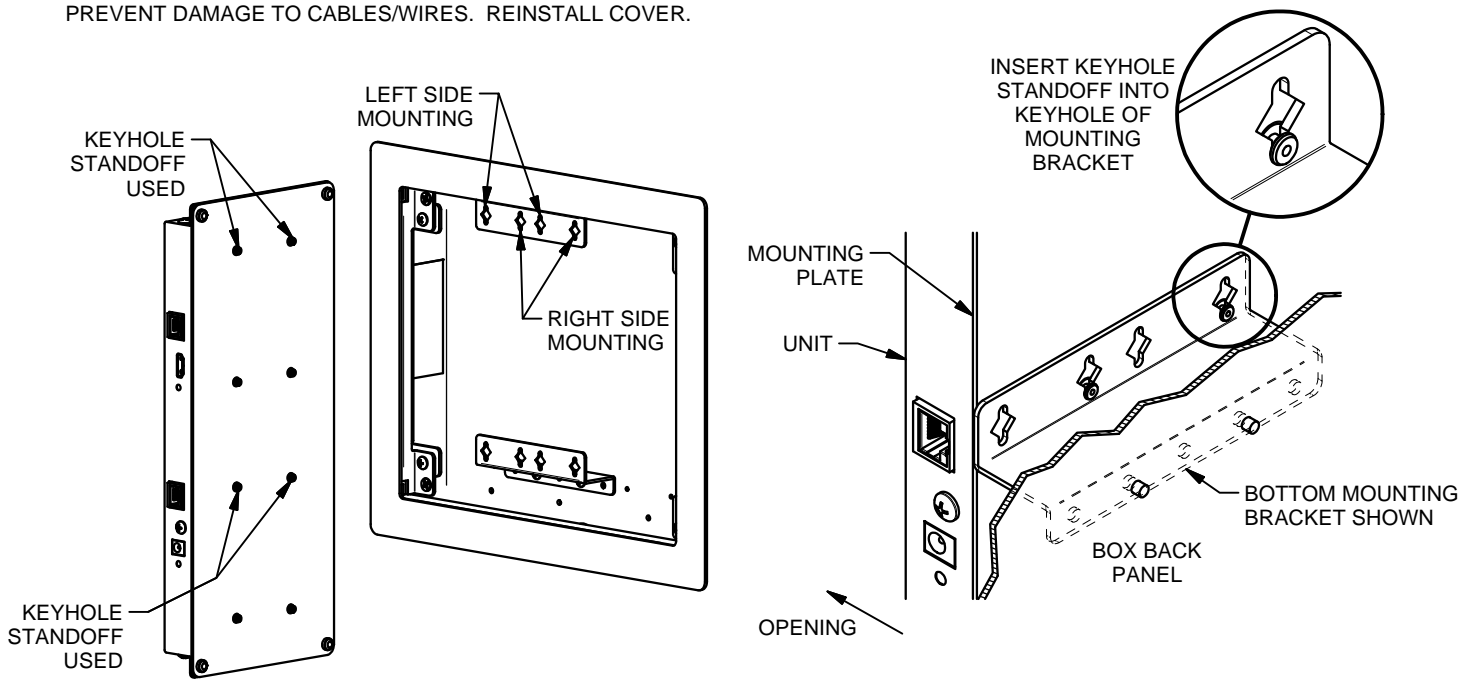
3. DETERMINE EQUIPMENT LOCATION AND INSTALL MOUNTING BRACKETS.



4. INSTALL UNIT ONTO MOUNTING PLATE.



5. HANG MOUNTING PLATE ASSEMBLY IN BOX AND MAKE ELECTRICAL CONNECTIONS AS REQUIRED. IT MAY BE NECESSARY TO MAKE SOME CONNECTIONS TO THE UNIT BEFORE HANGING UNIT IN BOX. CARE SHOULD BE USED DURING INSTALLATION TO PREVENT DAMAGE TO CABLES/WIRES. REINSTALL COVER.



INSERT MOUNTING PLATE INTO WALL BOX AS SHOWN

