



## *T<sub>3</sub>U Series Table Boxes with Rim*



### **INSTALLATION & SAFETY MANUAL**

#### *PROPRIETARY INFORMATION*

*All information in this manual is proprietary to and the property of FSR inc.  
This publication is protected by the Federal Copyright Law, with all rights reserved.  
No part of this document may be reproduced, transcribed, or transmitted,  
in any form or by any means, without prior explicit written permission from FSR inc.*

244 Bergen Boulevard, Woodland Park, NJ 07424 Tel 973.785.4347 Fax 973.785.4207  
E-Mail [sales@fsrinc.com](mailto:sales@fsrinc.com) • Web [www.fsrinc.com](http://www.fsrinc.com)

# *FSR T<sub>3</sub>U* Table Box

## INSTALLATION & SAFETY MANUAL

### 1. Introduction

The T3U Table Box combines elegant styling and rugged design to balance form and function. Solid construction and ease of installation make this compact table box a compliment to any conference room or office environment.

### 2. Mounting Procedure

The T3U is mounted to the underside of the table using provided cap screws. A drawing is provided for cutting the table opening (Fig. 1). Consideration should be given to placement and position to ensure the most functional orientation and user convenience. Table thickness range is  $\frac{3}{4}$ " to  $2\frac{3}{4}$ " maximum.

- Determine T3U location and cut opening on table (Fig 1).
- Insert T3U assembly into table opening.
- Install clamp bracket and secure T3U assembly to table by screwing cap screws to underside of table (Fig 2). Customer to provide KO slug/penny/other flat piece for screw end, with soft table wood.
- Make electrical connections as required. Slots are provided on the cable access plate for anchoring tie wraps to secure cable entry.
- The exposed surfaces can be cleaned using a mild household cleaner. The T3U door is opened by applying slight pressure to the area labeled "PRESS HERE". This will expose the connector panel area for use.

### 3. Installation of Low Voltage Access Panels

The T3U is offered with a variety of blank plates or pre-punched faceplates providing maximum flexibility, and satisfying most field requirements. Standard snap in connectors, cable pass through and connector mounting plates can be installed to suit the specific installations.

Refer to the individual options installation drawings for installation particulars.

**\*\* CAUTION \*\*** *To reduce the risk of fire, use only No. 26 AWG or larger telecommunication line cord.*

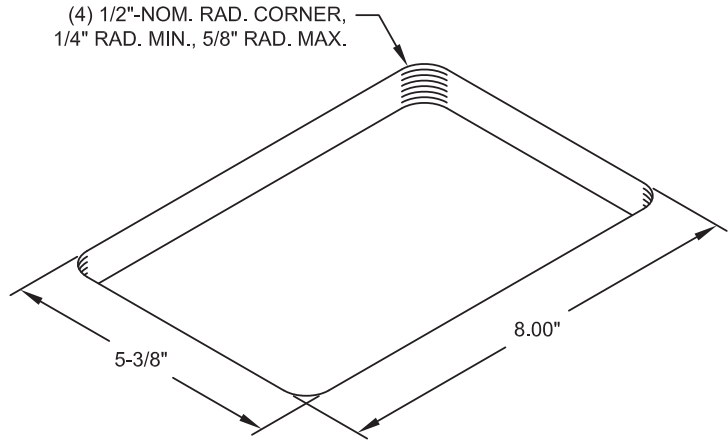
### 4. Electrical Connections

*There is a factory installed duplex outlet provided for local 117 VAC power at the T3U faceplate. The 8' AC cord can be plugged into a 117 VAC outlet close to the T3U housing.*

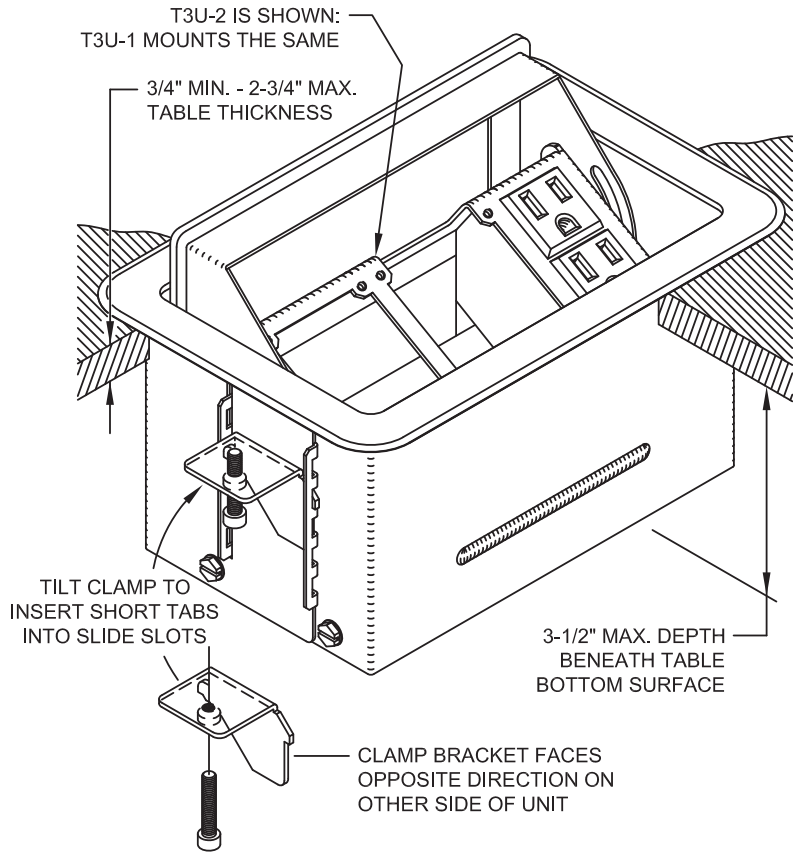
*The T3U's power cord is the main-disconnect device. The power socket / outlet should be installed near the table box and should be easily accessible. The T3U's are designed to operate in a maximum recommended ambient temperature (TMRA) of 45° C (113° F).*

*For Pluggable Equipment, the socket outlet shall be installed near the equipment and shall be accessible.*

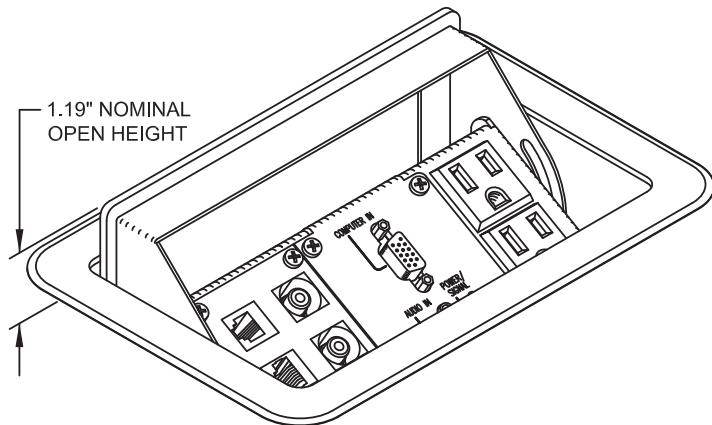
**Figure 1- Table cutout**



**Figure 2- Chassis mounting**

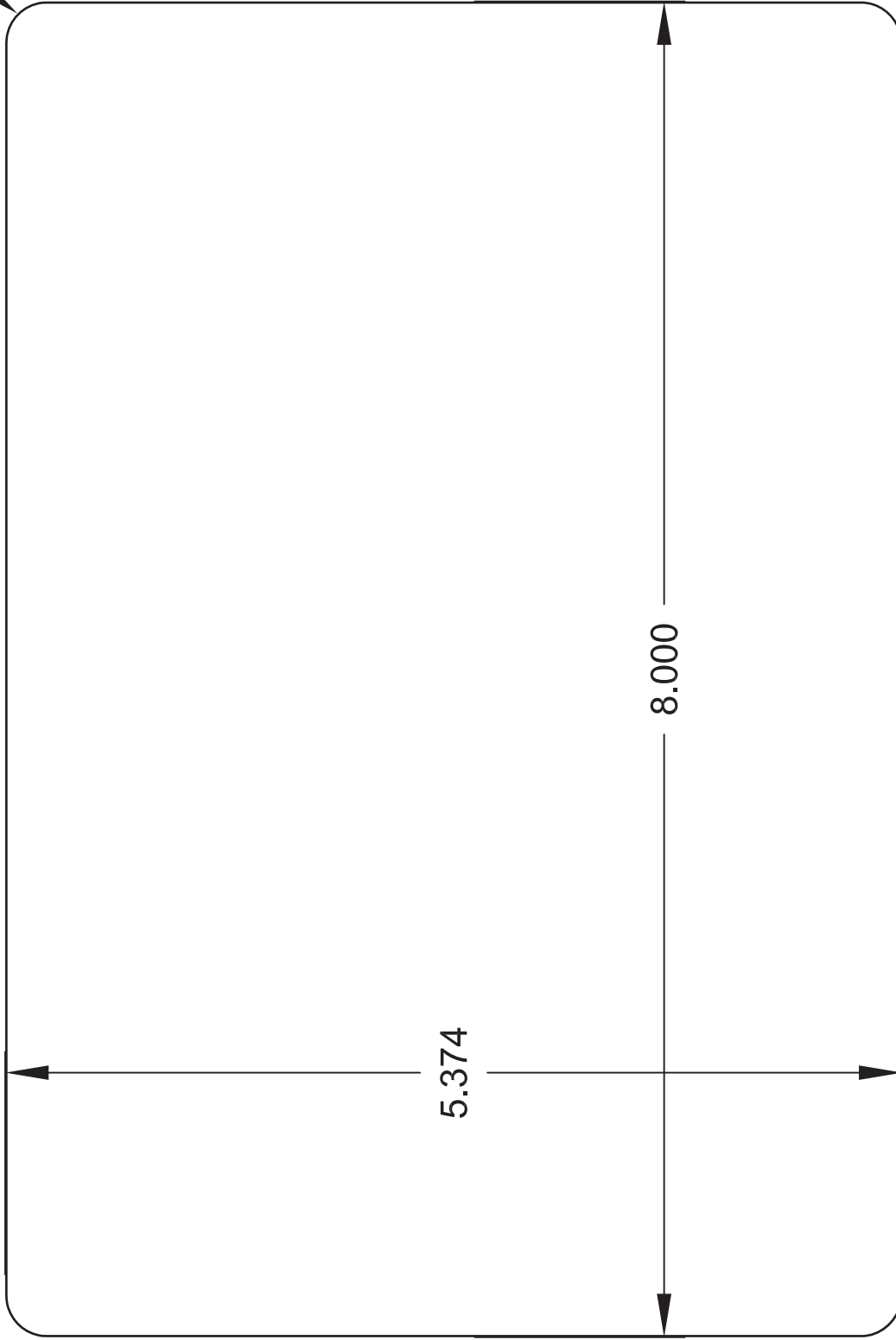


**Figure 3- Final Assembly**



TEMPLATE FOR FSR T3U  
TABLE BOX (RIM VERSION)  
CUTOUT

(4) 1/4 R. MIN. TO 1/2 R. MAX.



**CAUTION! :** Due to variations in printed media it is the users responsibility to **VERIFY** the accuracy of this template and confirm the actual dimensions by measuring.

## 5. Warranty Policy

This product is warranted against failures due to defective parts or faulty workmanship for a period of one year after delivery to the original owner. During this period, FSR will make any necessary repairs or replace the unit without charge for parts or labor. Shipping charges to the factory or repair station must be prepaid by the owner, return-shipping charges, via UPS / FedEx ground, will be paid by FSR.

This warranty applies only to the original owner and is not transferable. In addition, it does not apply to repairs done by other than the FSR factory or Authorized Repair Stations.

This warranty shall be cancelable by FSR at its sole discretion if the unit has been subjected to physical abuse or has been modified in any way without written authorization from FSR. FSR's liability under this warranty is limited to repair or replacement of the defective unit.

FSR will not be responsible for incidental or consequential damages resulting from the use or misuse of its products. Some states do not allow the exclusion of incidental or consequential damages, so the above limitations may not apply to you. This warranty gives you specific legal rights, and you may also have other rights which vary from state to state.

Warranty claims should be accompanied by a copy of the original purchase invoice showing the purchase date (if a Warranty Registration Card was mailed in at the time of purchase, this is not necessary). Before returning any equipment for repair, please read the important information on service below.

### SERVICE

Before returning any equipment for repair, please be sure that it is adequately packed and cushioned against damage in shipment, and that it is insured. We suggest that you save the original packaging and use it to ship the product for servicing. Also, please enclose a note giving your name, address, phone number and a description of the problem.

**NOTE: all equipment being returned for repair must have a Return authorization (RMA) Number. To get a RMA Number, please call the FSR Service Department (973-785-4347). Please display your RMA Number prominently on the front of all packages.**

### **CONTACT INFORMATION**

244 Bergen Blvd.

Woodland Park, NJ 07424

**Phone:** (800) 332-FSR1

**\*Order Desk Fax:** (800) 332-FSR1

E-mail: [sales@fsrinc.com](mailto:sales@fsrinc.com)

**Web Site:** <http://www.fsrinc.com>