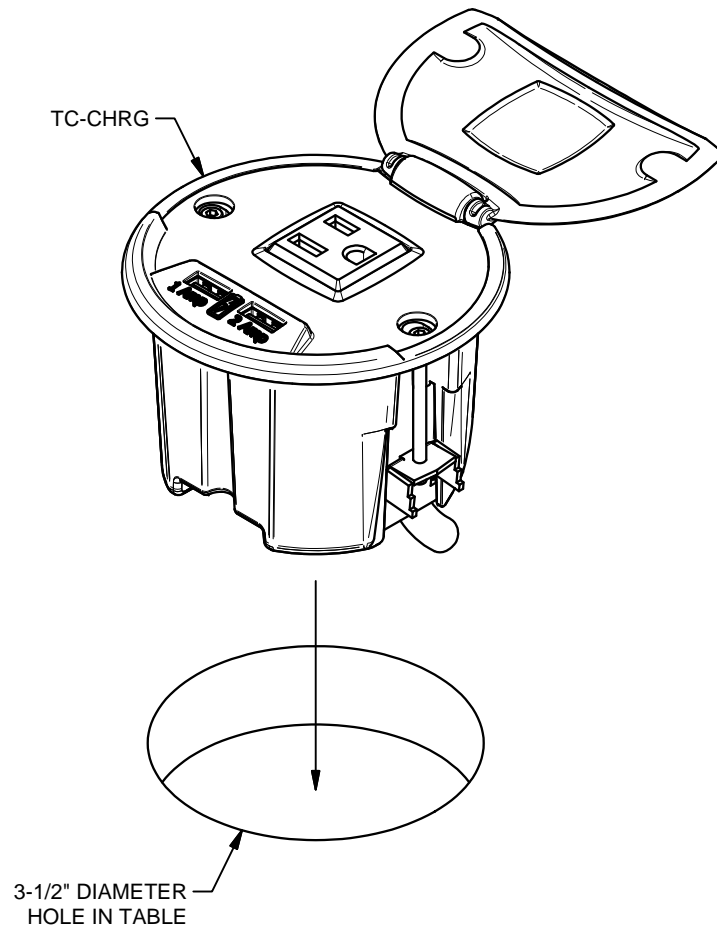


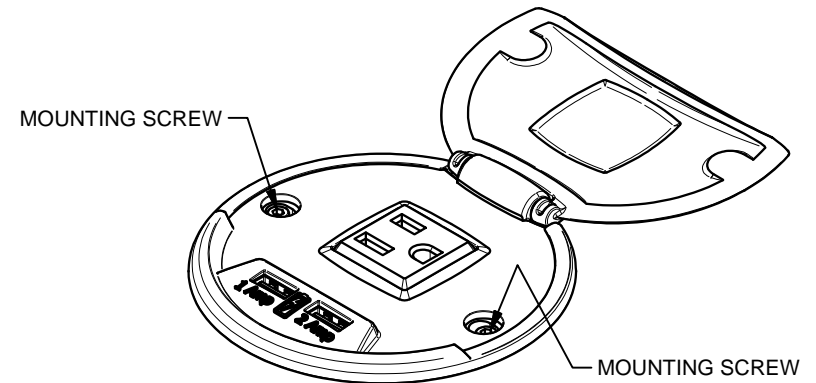
# FSR TC-CHRG INSTALLATION INSTRUCTIONS

244 Bergen Boulevard, Woodland Park, NJ 07424, Phone: 973.785.4347 - Fax: 973.785.4207

1. DETERMINE LOCATION OF TC-CHRG ASSEMBLY AND DRILL 3-1/2" HOLE IN TABLE. INSERT ASSEMBLY IN HOLE AND ORIENT AS REQUIRED.



2. SECURE TC-CHRG ASSEMBLY TO TABLE BY TIGHTENING MOUNTING SCREWS. ALTERNATELY TIGHTEN LEFT AND RIGHT SCREWS TO MAINTAIN CENTERING OF ASSEMBLY IN TABLE.



3. INSERT BUMPERS AS SHOWN OVER MOUNTING SCREWS AND MAKE ELECTRICAL CONNECTIONS AS REQUIRED.

