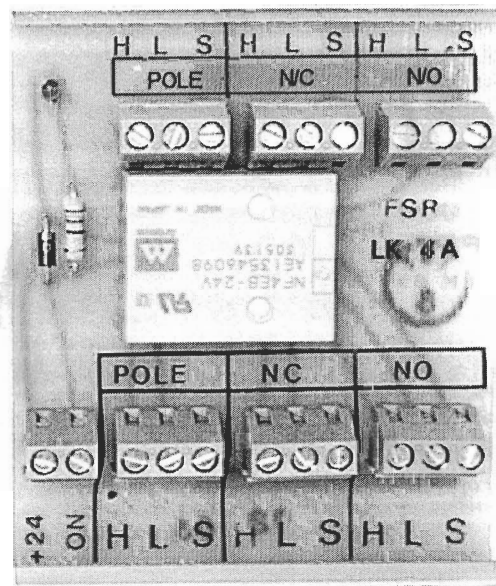


LK-2



LK-4

Description:

These relay cards are designed to accept and switch standard, 2 wire and shield, audio lines (Belden 8451 or equivalent).

Both cards feature terminal strips for each of the 3-position audio lines. An LED status indicator and protection diodes to suppress transients are also provided.

LK-2

Accepts up to four audio lines and can open or short, and close these lines (see diagram).

LK-4

Accepts up to 6 audio lines and switches from A to B to C (see diagram).

Electrical Specifications:

Contact Arrangement:

LK-2- 2 Form C bifurcated,
LK-4- 4 Form C bifurcated

Contact Rating:

Non inductive load
Max 2 Amp @ 30 VDC or 0.5
Amp @ 115 VAC

Contact Material:

Fine silver gold clad

Capacitance:

Contact to contact 4pt.
(typical)

Contact Resistance:

50 milliohms initially
200 milliohms at end of life

Operate Time:

10 ms at nominal coil
voltage

Release Time:

4 ms at nominal coil voltage

Contact Bounce (Typical):

2 ms (included in operate
and release time)

Max. Operating Speed:

50 Hz

Dielectric Strength (initial):

1000 Vrms: 750 across
contact gap

Insulation Resistance:

1000 megohms @ 20°C,
500 VDC

Drop Out:

10% or more of nominal coil
voltage

Power:

LK-2

Voltage — 24VDC
Current — 30MA

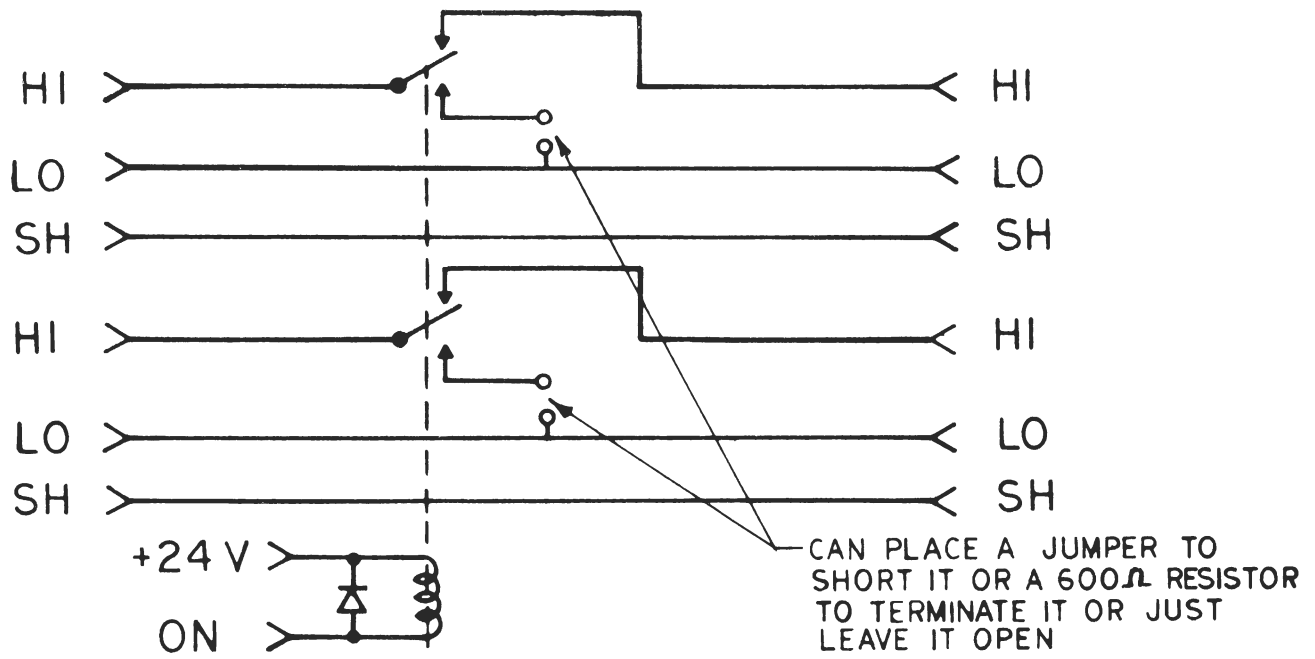
LK-4

Voltage — 24VDC
Current — 30MA

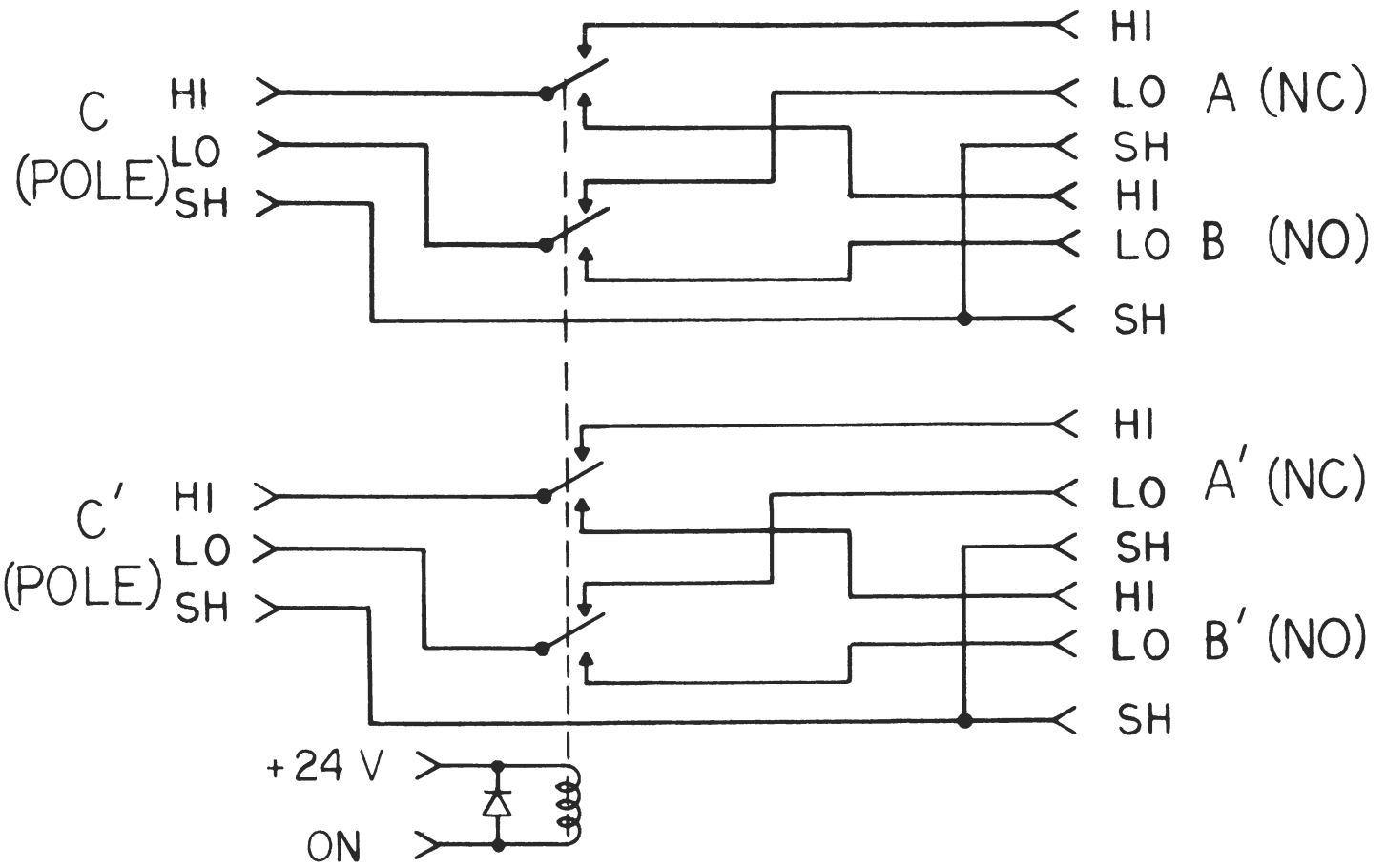
Size:

LK-2 2"W, 3¼"D, ¾"H

LK-4 3"W, 3¼"D, ¾"H



SCHMATIC DIAGRAM LK-2



SCHMATIC DIAGRAM LK-4