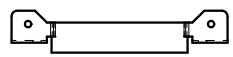


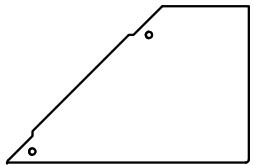
1 P/N: 55805 - 5-GANG INSERT PLATE (1 SUPPLIED)  
 HARDWARE REQUIRED:  
 P/N: 13317 - #8-32 x 3/8" LONG PAN HEAD SCREW  
 (4 REQUIRED PER PLATE)

2 P/N: 55806 - 6-GANG INSERT PLATE (1 SUPPLIED)  
 HARDWARE REQUIRED:  
 P/N: 13317 - #8-32 x 3/8" LONG PAN HEAD SCREW  
 (4 REQUIRED PER PLATE)

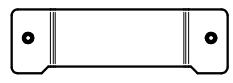
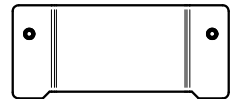


3 P/N: 55639 - GAP FILL / DIVIDER HOLDER (4 SUPPLIED)  
 HARDWARE REQUIRED:  
 P/N: 13330 - #8-32 x 1/4" LONG FLAT HEAD SCREW  
 (2 REQUIRED PER HOLDER)

P/N: 47829 - #10-32 HEX  
 SLOT GROUND SCREW  
 P/N: 13441 - #10 WASHER  
 TERMINAL CUP  
 (12 EACH SUPPLIED)

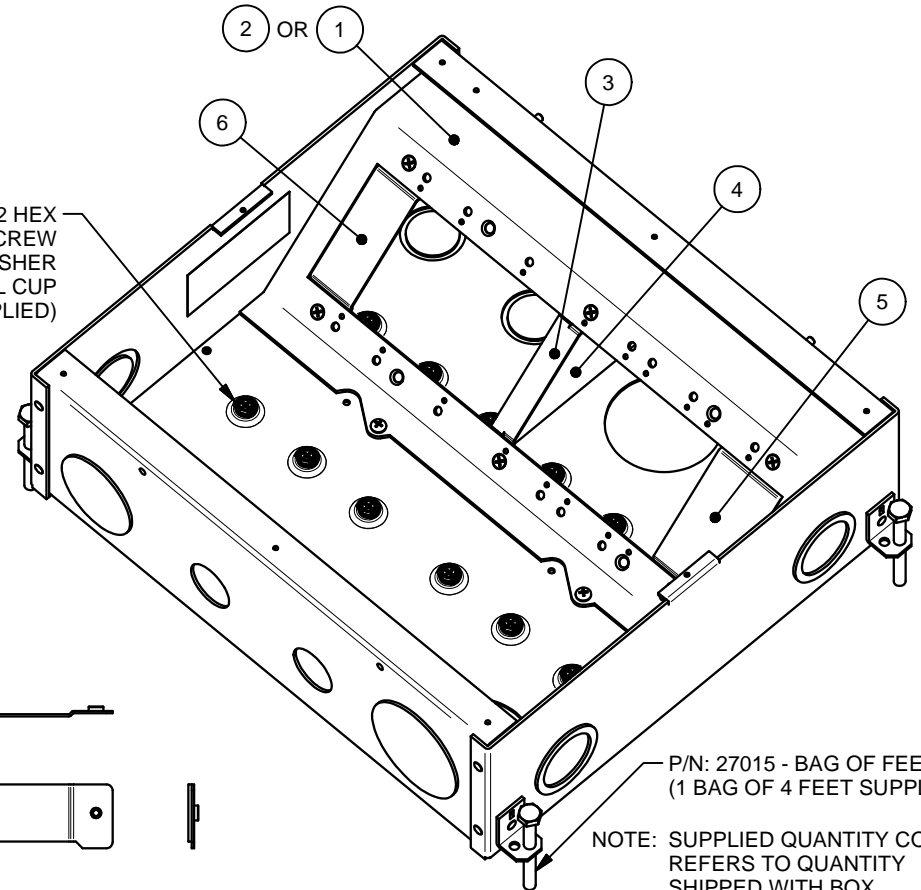


4 P/N: 55798 - 4" DIVIDER PLATE (3 SUPPLIED)  
 HARDWARE REQUIRED:  
 P/N: 11511 - #8-32 x 1/4" LONG PAN HEAD SCREW  
 (2 REQUIRED PER PLATE)



5 P/N: 55864 - WIDE GANG SPACER (2 SUPPLIED)  
 HARDWARE REQUIRED:  
 P/N: 13330 - #8-32 x 1/4" LONG FLAT HEAD SCREW  
 (2 REQUIRED PER SPACER)

6 P/N: 55865 - NARROW GANG SPACER (1 SUPPLIED)  
 HARDWARE REQUIRED:  
 P/N: 13330 - #8-32 x 1/4" LONG FLAT HEAD SCREW  
 (2 REQUIRED PER SPACER)



P/N: 27015 - BAG OF FEET II  
 (1 BAG OF 4 FEET SUPPLIED)

NOTE: SUPPLIED QUANTITY COUNT  
 REFERS TO QUANTITY  
 SHIPPED WITH BOX.

**FSR Inc.**  
 244 BERGEN BLVD.  
 WOODLAND PARK, NJ 07424  
 TEL (973) 785-4347  
 FAX (973) 785-3318

TITLE: FL-600P/640P 4" BOX  
 SPARE PARTS LIST  
 DRAWN BY: JRE DATE: 04/13/11 REV: -  
 DWG#: FL-600P-4 spare parts SCALE: -

