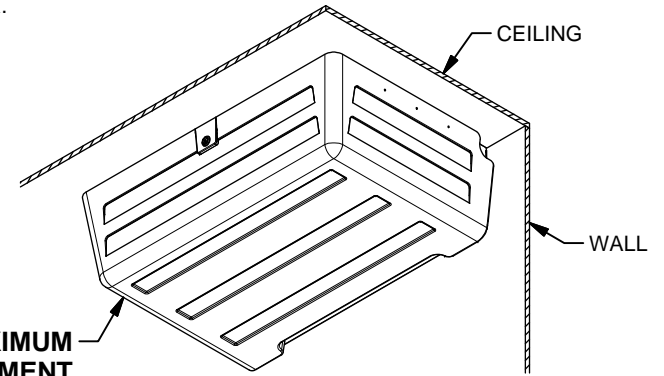


1. DETERMINE LOCATION OF TS-400 ASSEMBLY AND REMOVE APPROPRIATE KNOCK-OUT PANELS FOR WIRES/CONDUITS ROUTED TO THE TS-400 UNIT. USE THE TS-400 CHASSIS AS A TEMPLATE TO TRANSFER THE .328 DIAMETER HOLE PATTERN TO WALL AND CEILING. HOLES USED TO SECURE CHASSIS WILL BE DETERMINED ON SITE BY INSTALLER. INSTALLER TO PROVIDE HARDWARE OR USE SUPPLIED TOGGLE BOLTS.

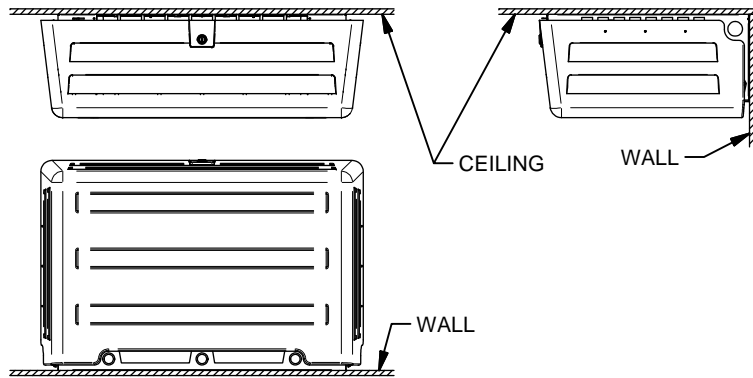
SHEET ROCK (1/2" MIN) / METAL STUD APPLICATIONS - WALL ANCHOR LOCATIONS - 6 TOP ROW, 2 BOTTOM ROW, MINIMUM 16" SPAN

SHEET ROCK (1/2" MIN) / WOOD STUD APPLICATIONS - LAG BOLTS WITH WASHERS MAY BE USED TO INSTALL TO WOODEN STUDS. WALL ANCHOR LOCATIONS - 2 TOP ROW, 2 BOTTOM ROW, MINIMUM 16" SPAN

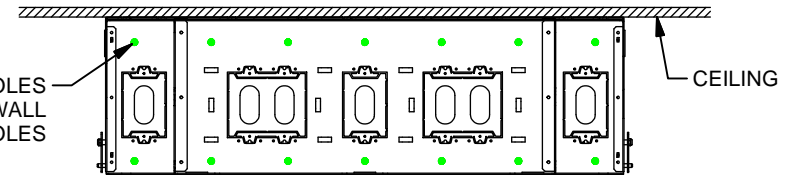
BLOCK CONSTRUCTION - USE APPROPRIATE ANCHORS OR PROVIDED TOGGLE BOLTS. WALL ANCHOR LOCATIONS - 2 TOP ROW, 2 BOTTOM ROW, MINIMUM 16" SPAN.



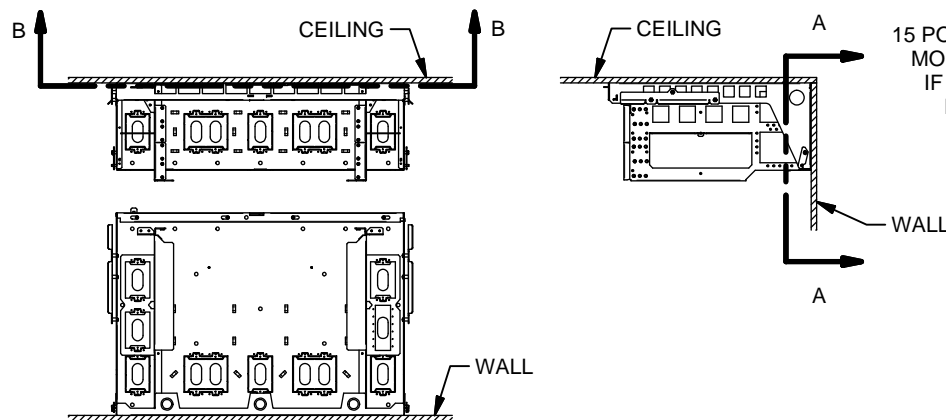
TS-400 - MAXIMUM EQUIPMENT LOAD - 50 LBS



TS-400 WITH COVER

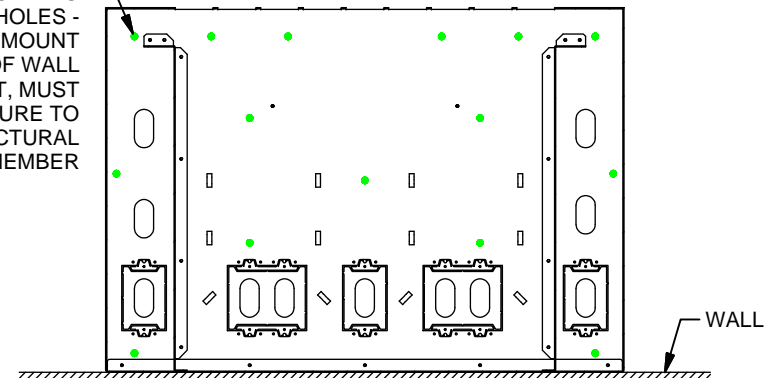


SECTION A-A

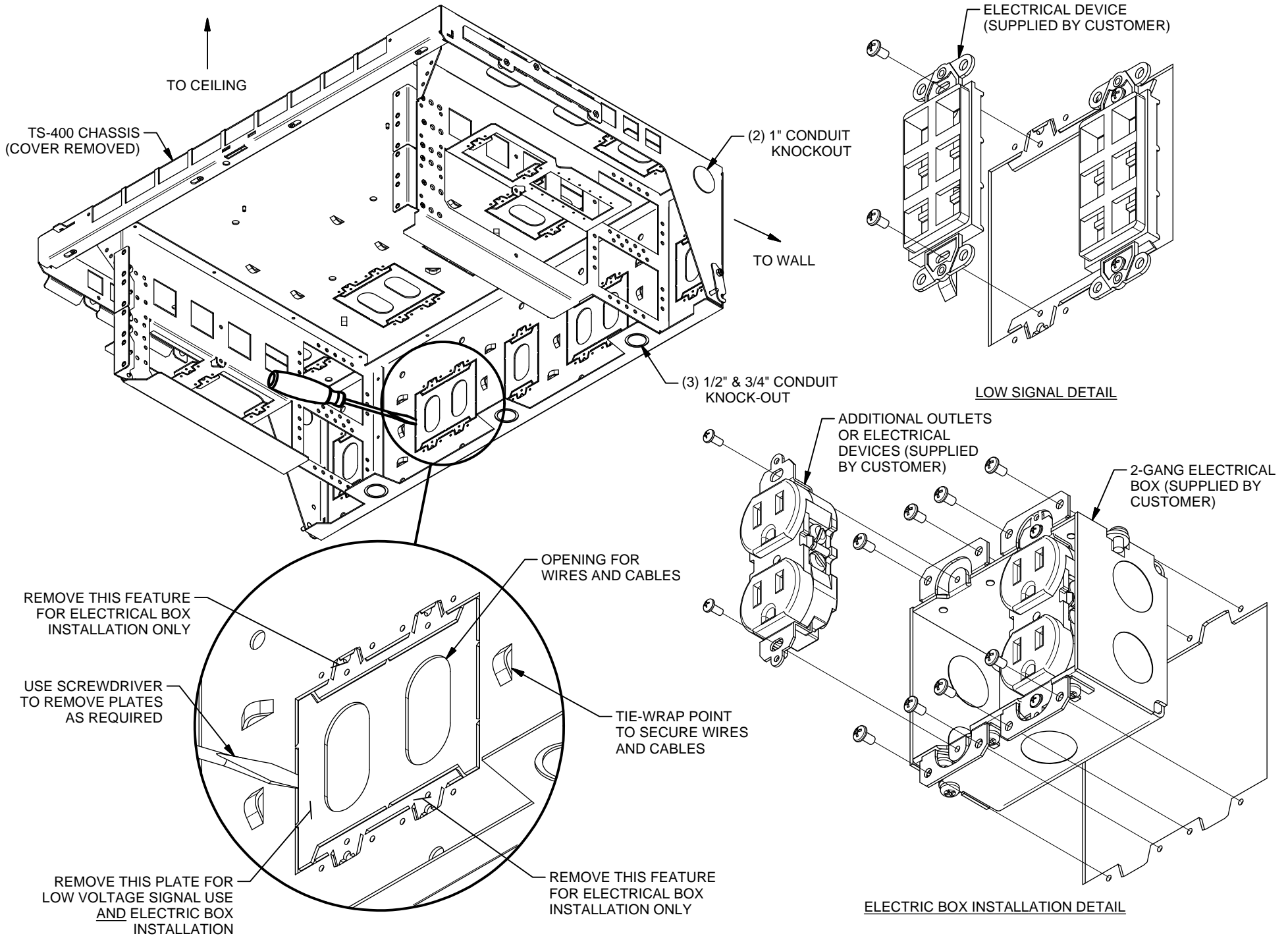


TS-400 WITHOUT COVER

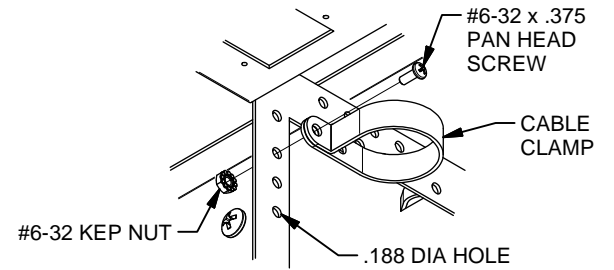
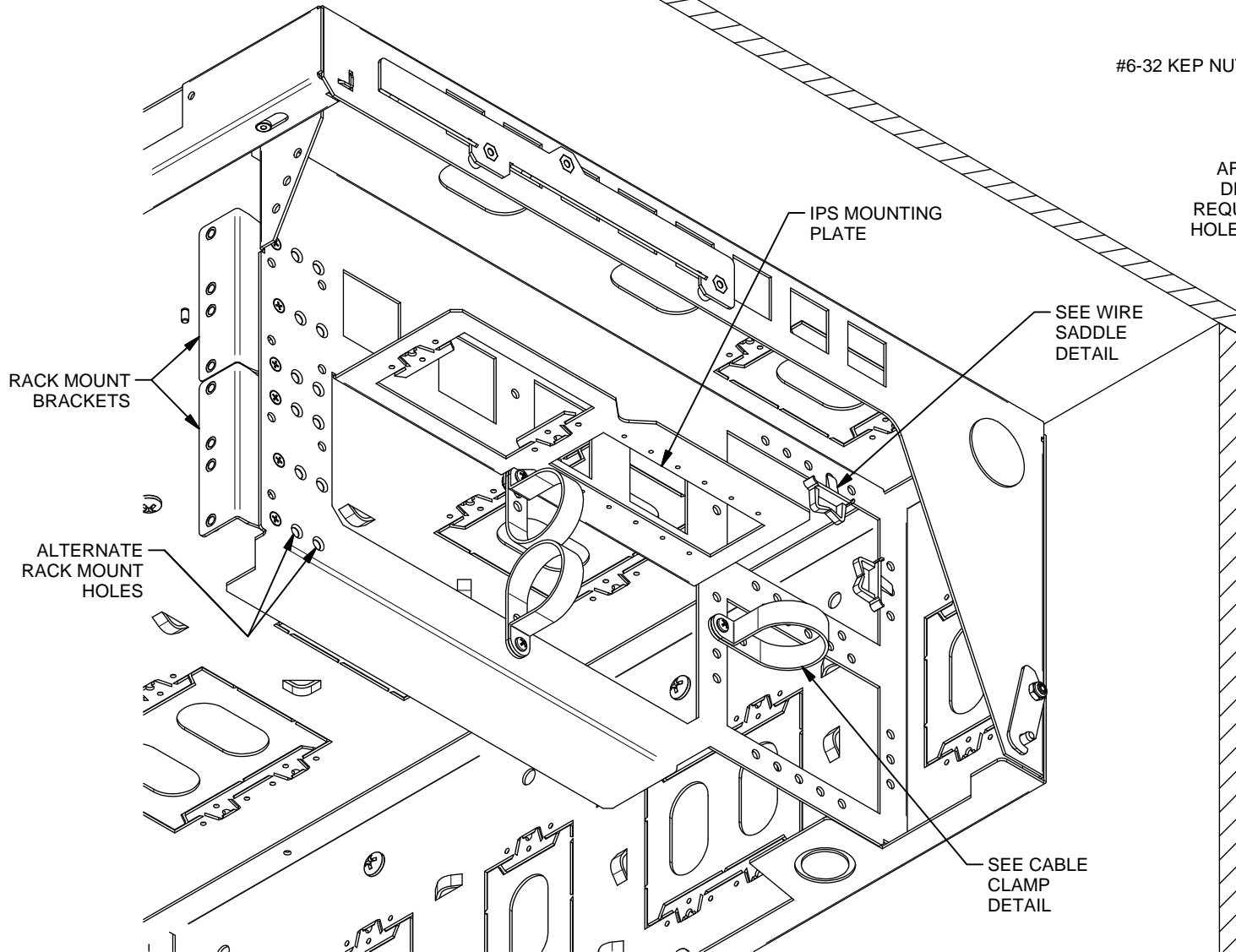
.328 DIA. HOLES
15 POSSIBLE CEILING MOUNTING HOLES - IF CEILING MOUNT IN LIEU OF WALL MOUNT, MUST SECURE TO STRUCTURAL MEMBER



SECTION B-B

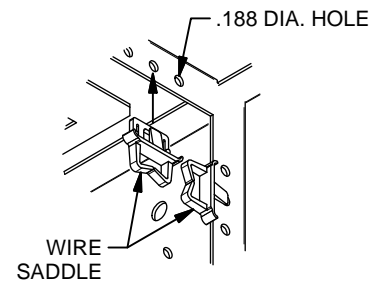


CEILING



CABLE CLAMP DETAIL

AFTER INSTALLATION OF ELECTRONIC DEVICES, SECURE CABLE CLAMPS AS REQUIRED TO THE VARIOUS .188 DIAMETER HOLES TO ROUTE CABLES THRU THE TS-400 CHASSIS.



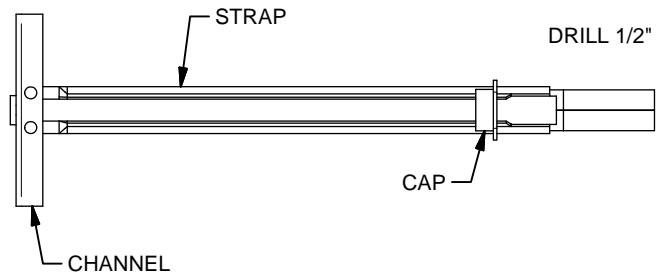
WIRE SADDLE DETAIL

AFTER INSTALLATION OF ELECTRONIC DEVICES, SECURE WIRE SADDLES AS REQUIRED TO THE VARIOUS .188 DIAMETER HOLES TO ROUTE CABLES THRU THE TS-400 CHASSIS.

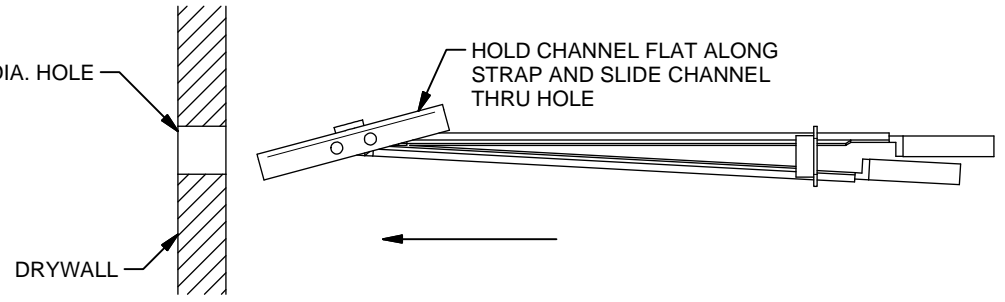
WALL

1/4" TOGGLE BOLT INSTALLATION (8 PROVIDED)

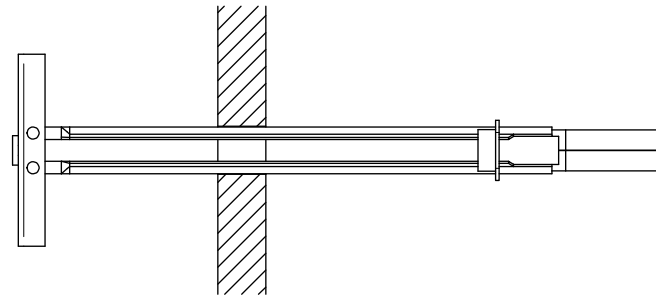
1a.



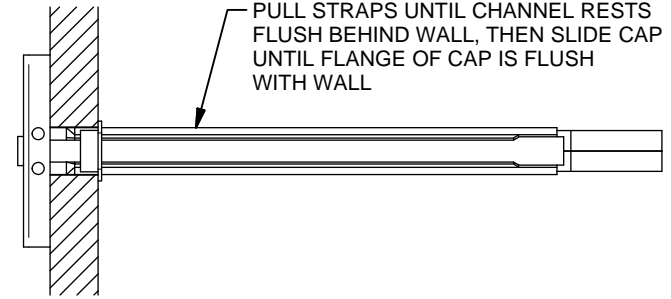
1b.



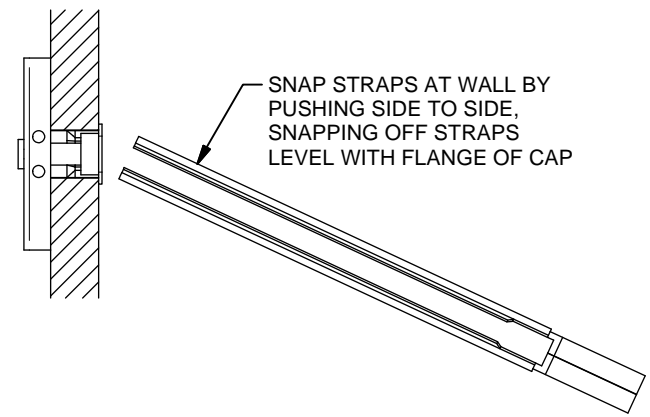
1c.



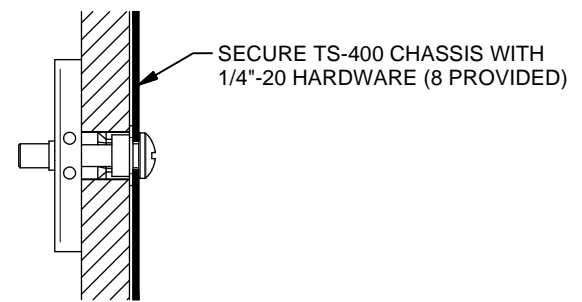
1d.



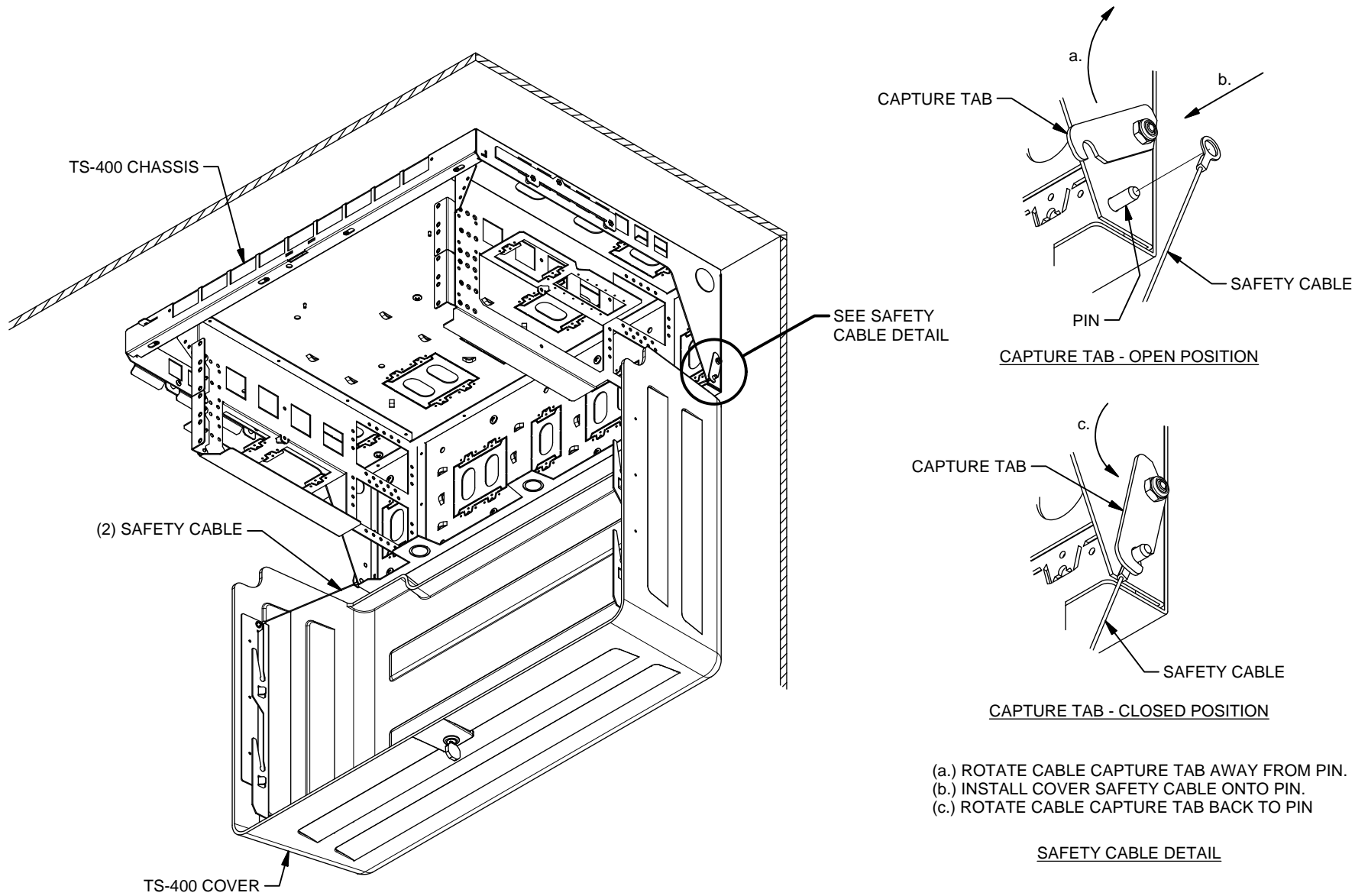
1e.



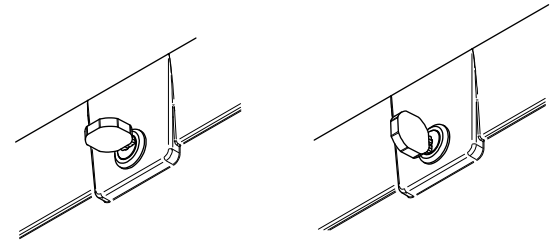
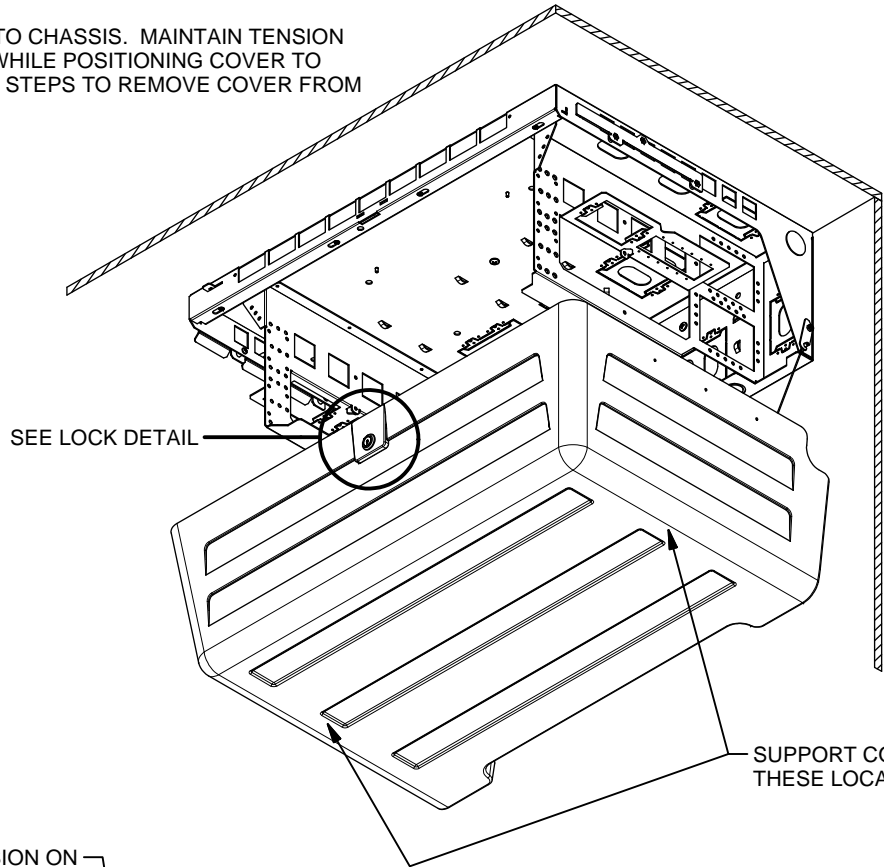
1f.



2. AFTER CHASSIS IS MOUNTED TO WALL, INSTALL COVER'S SAFETY CABLE TO CHASSIS.

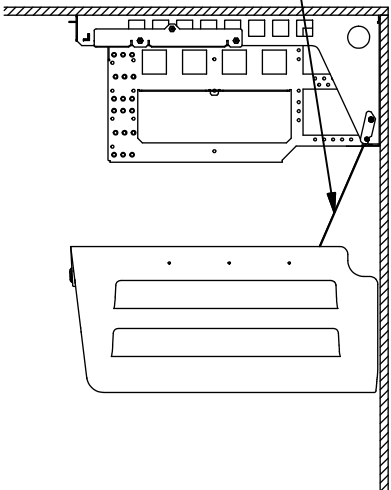


3. INSTALL COVER ONTO CHASSIS. MAINTAIN TENSION ON SAFETY CABLE WHILE POSITIONING COVER TO CHASSIS. REVERSE STEPS TO REMOVE COVER FROM CHASSIS.

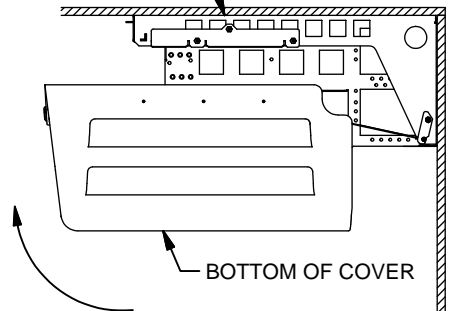


UNLOCKED POSITION LOCKED POSITION
LOCK DETAIL

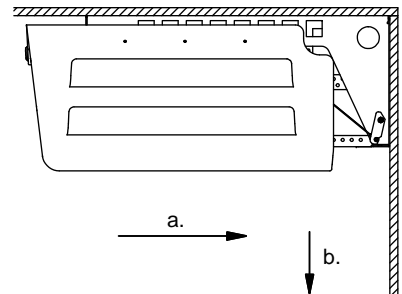
MAINTAIN TENSION ON SAFETY CABLE WHILE MOVING COVER UP TO CHASSIS



TOP OF CHASSIS



WHILE KEEPING TENSION ON SAFETY CABLE, ENSURE BOTTOM SURFACE OF COVER IS PARALLEL WITH TOP OF CHASSIS



ONCE COVER STOPS AGAINST CHASSIS, WHILE PUSHING UP, (a.) SLIDE COVER TOWARDS WALL UNTIL IT STOPS AND (b.) ALLOW COVER TO DROP DOWN APPROXIMATELY 1/8" TO INTERLOCK WITH CHASSIS.