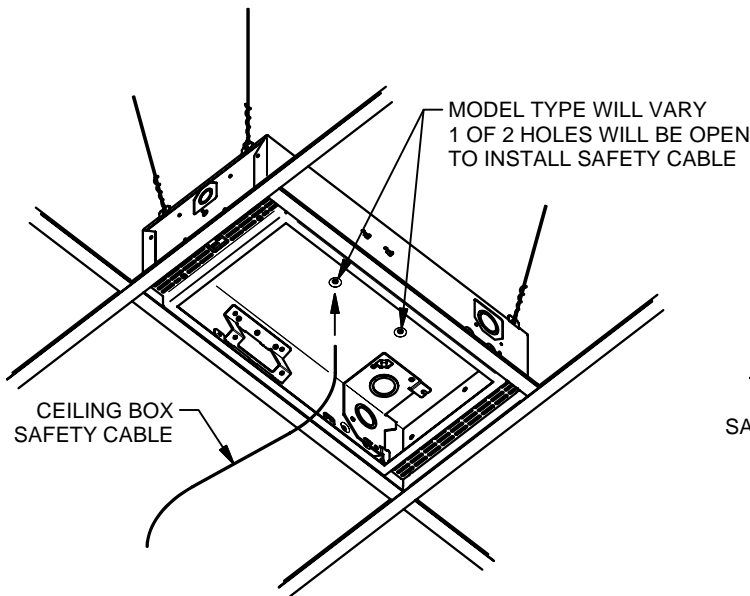
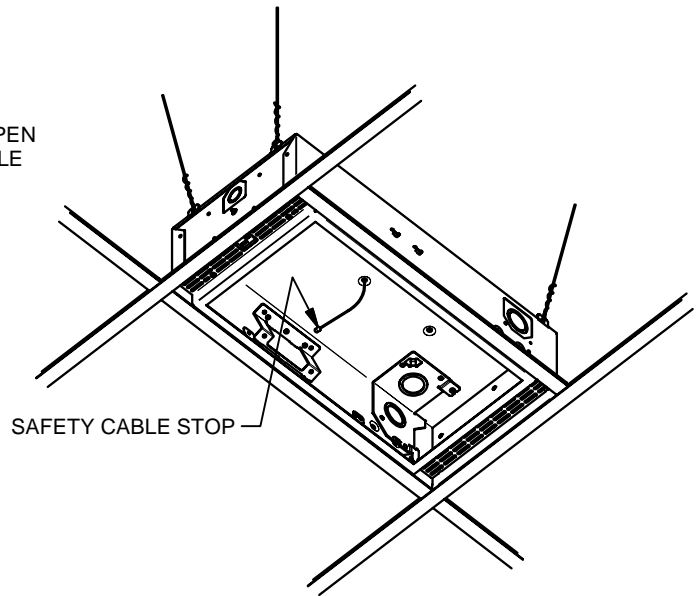


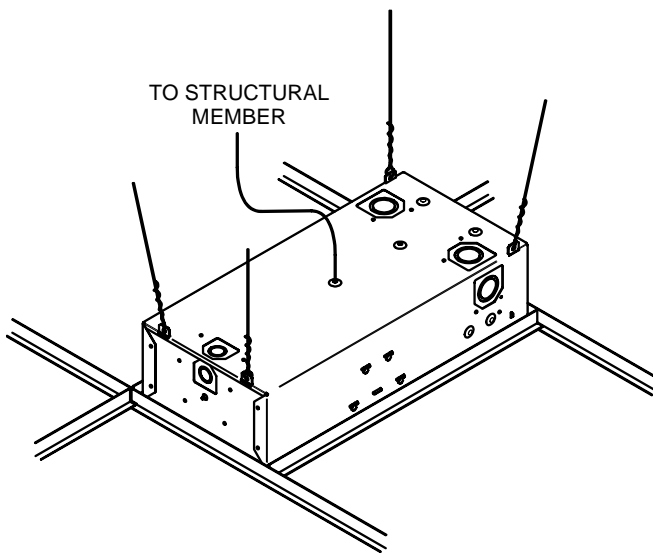
1. INSTALL CEILING BOX SAFETY CABLE AS REQUIRED BY BUILDING CODES.



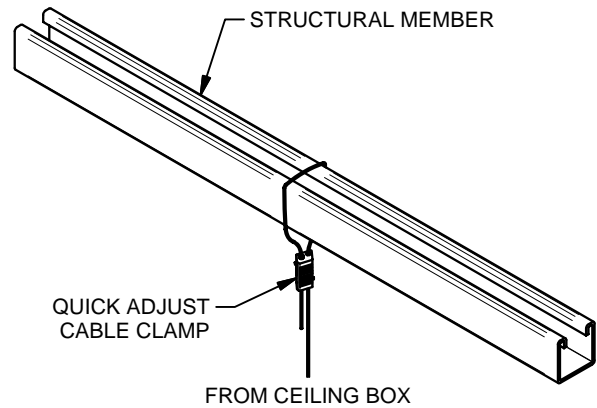
1a. ROUTE SAFETY CABLE FROM INTERIOR OF BOX THRU HOLE TO TOP SURFACE OF BOX (INTERIOR SHELVES NOT SHOWN FOR CLARITY).



1b. ROUTE CABLE THRU CEILING BOX UP TO SAFETY CABLE STOP.

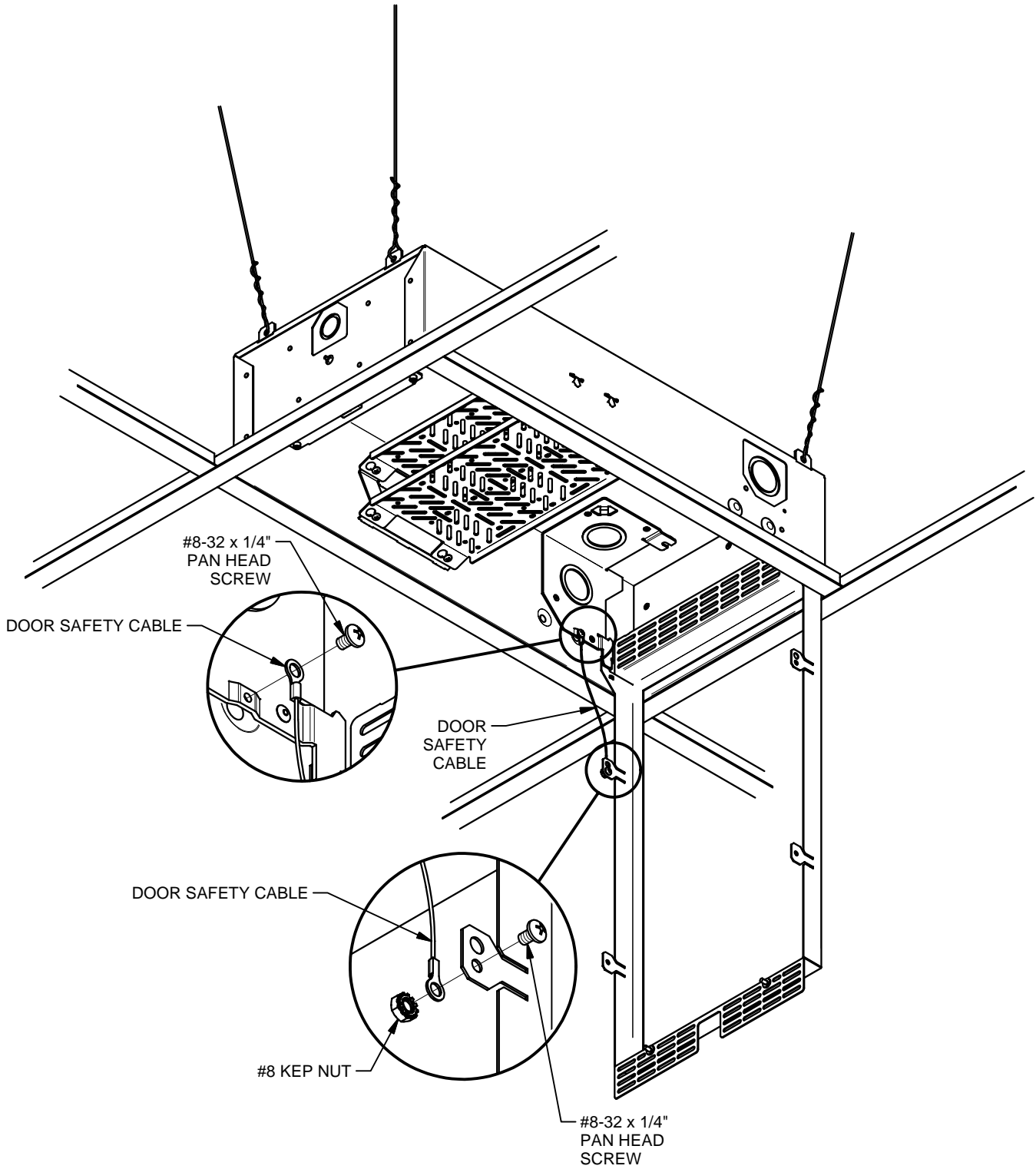


1c. ROUTE SAFETY CABLE TO STRUCTURAL MEMBER.



1c. SECURE SAFETY CABLE TO STRUCTURAL MEMBER AS REQUIRED BY BUILDING CODES. USE PROVIDED QUICK ADJUST CABLE CLAMP.

2. INSTALL DOOR SAFETY CABLE AS REQUIRED BY BUILDING CODES.
SAFETY CABLE CAN BE INSTALLED ON OPPOSITE SIDE OF BOX.



FSR Inc.

244 Bergen Boulevard, Woodland Park, NJ 07424
Phone: 973.785.4347 - Fax: 973.785.4207
Web: www.fsrinc.com - E-mail: sales@fsrinc.com