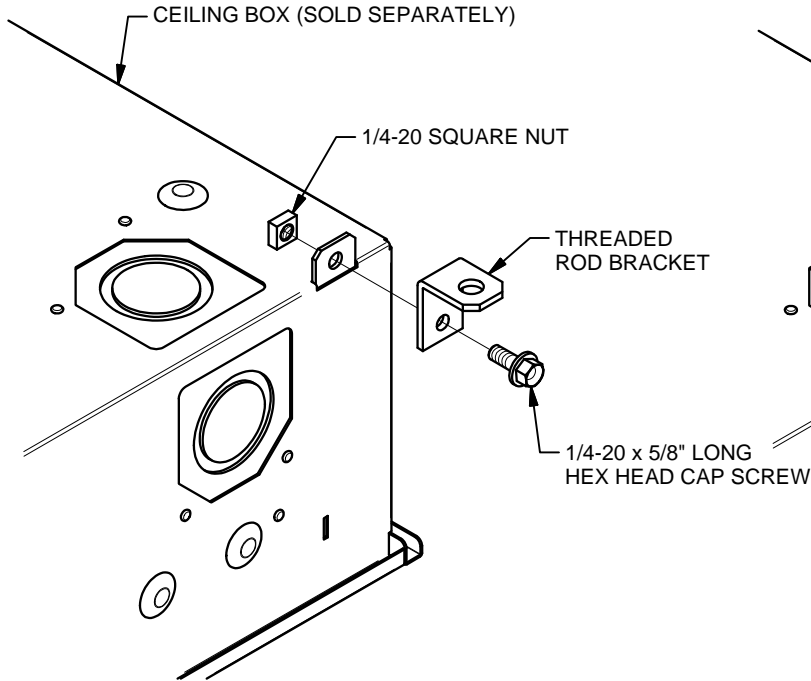


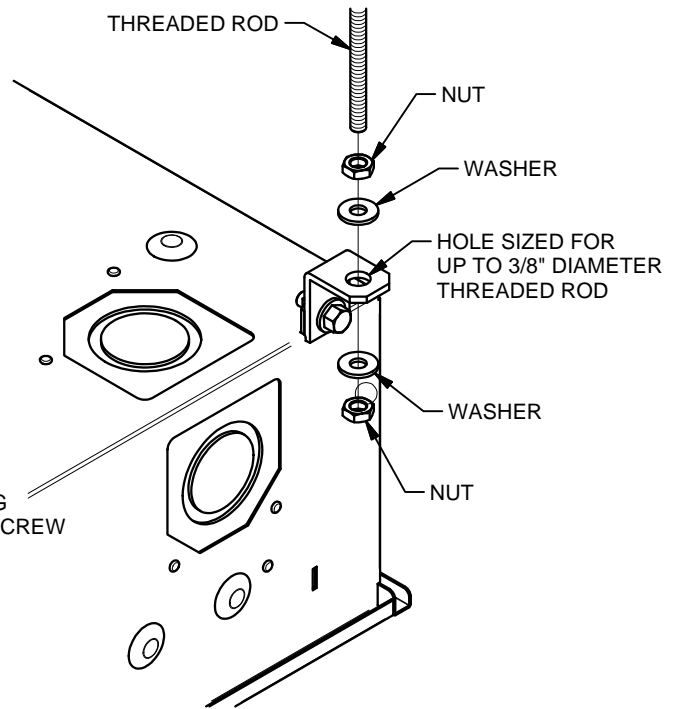
1. INSTALL THREADED ROD BRACKET TO CEILING BOX (TYPICAL 4 PLACES).

NOTE: 1/4" HARDWARE SUPPLIED.



2. INSTALL THREADED ROD THRU THREADED ROD BRACKET (TYPICAL 4 PLACES). USE BOTTOM NUT TO LEVEL CEILING BOX. USE TOP NUT TO SECURE BOX.

NOTE: HARDWARE SUPPLIED BY CUSTOMER.



3. FINISHED ASSEMBLY (TYPICAL 4 PLACES). SEE CB-12/22 INSTALLATION INSTRUCTIONS TO COMPLETE INSTALLATION OF UNIT(S).

