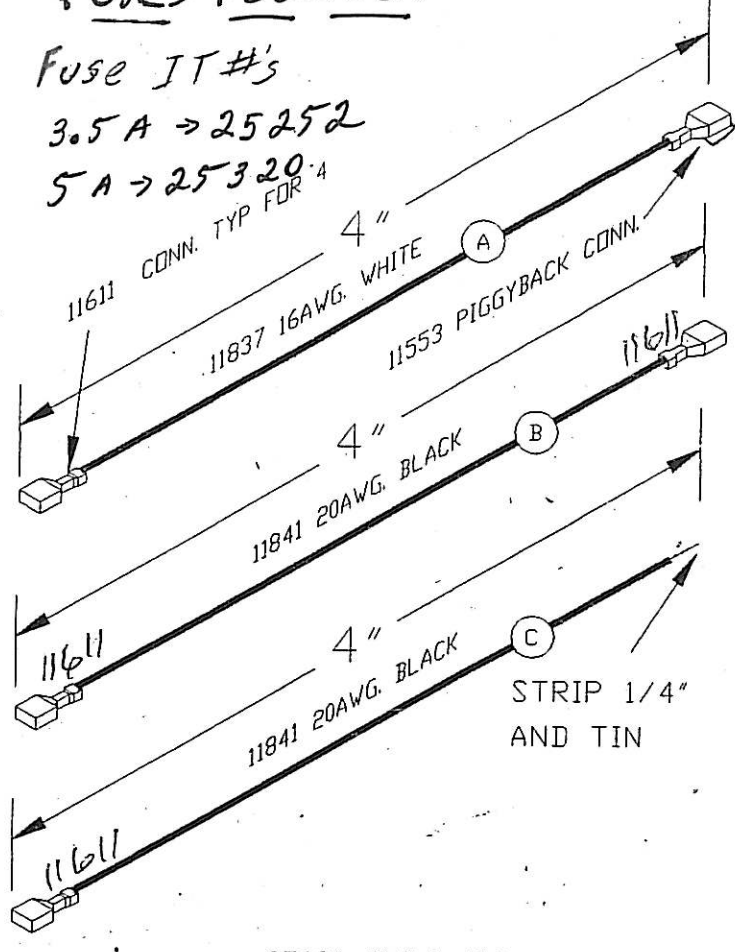


5 AMP (F2) (SHORTED WALL PLATE WIRING)

FUSES PULL OUT

Fuse IT#'s
 3.5 A → 25252
 5 A → 25320



35624 CABLE ASS.

CABLE LENGTH 9 FT

COL.	VOL.
BRN.	-GND
GRN.	+25
WHT	-26
BLK.	GND
RED.	+26

USE 11848 (SHRINK TUBING) TO PROTECT WIRE CONN. ON FUSE HOLDER.

F1 2 AMP

REV. LF	REV. DATE	ECN NUMBER	DESCRIPTION	REV. LEVEL	REV. DATE	ECN NUMBER	DESCRIPTION
E	10/7/96		ADD WIRE AND PINOUT	E	2/18/97		ADD TORQUE SETTING
B	10/16/96		ADD H, H, AND	F	4/4/97		ADD CABLE LENGTH
C	12/12/96		CHANGE TITLE BLOCK				
D	12/16/96		CHANGE VOLTAGE TO +5				

FSR Inc.
 244 BERGEN BLVD.
 W. PATERSON, NJ 07424
 TEL. (201) 785-4347
 FAX. (201) 785-3318

ML-PSA & ML-PSB
 ML-112/116 POWER SUPPLY
 15734 & 15735
 WIRE LOCATION

INTERPRET DIMENSIONS AND TOLERANCES PER ANSI Y14.5M UNLESS OTHERWISE SPECIFIED ALL DIMENSIONS ARE IN INCHES AND INCLUDE THICKNESS OF PLATING.

SYSTEM INFORMATION
 File: A-1194
 Scale factor:
 Date:

TOLERANCES ON:
 2 PLACE DECIMALS ± .01
 3 PLACE DECIMALS ± .005
 FRACTIONS ± 1/64
 ANGULAR ± .5°

PROJ. #: N/A	ENGINEER: <i>RH</i>
DATE: 4-9-97	DRAWN BY: BKB
PLOT: A	CHECKED BY: <i>RH</i>
SCALE: NONE	APPROVED: <i>RH</i>
DWG. NO.	REV.

PROPRIETARY NOTICE:
 THE INFORMATION CONTAINED HEREON IS PROPRIETARY TO FSR INC. IT IS TO BE USED BY THE RECIPIENT SOLELY FOR THE PURPOSE OF THE CONTRACTUAL PERFORMANCE FOR WHICH IT IS FURNISHED AND SHALL NOT BE DISCLOSED, IN WHOLE OR IN PART, TO ANY