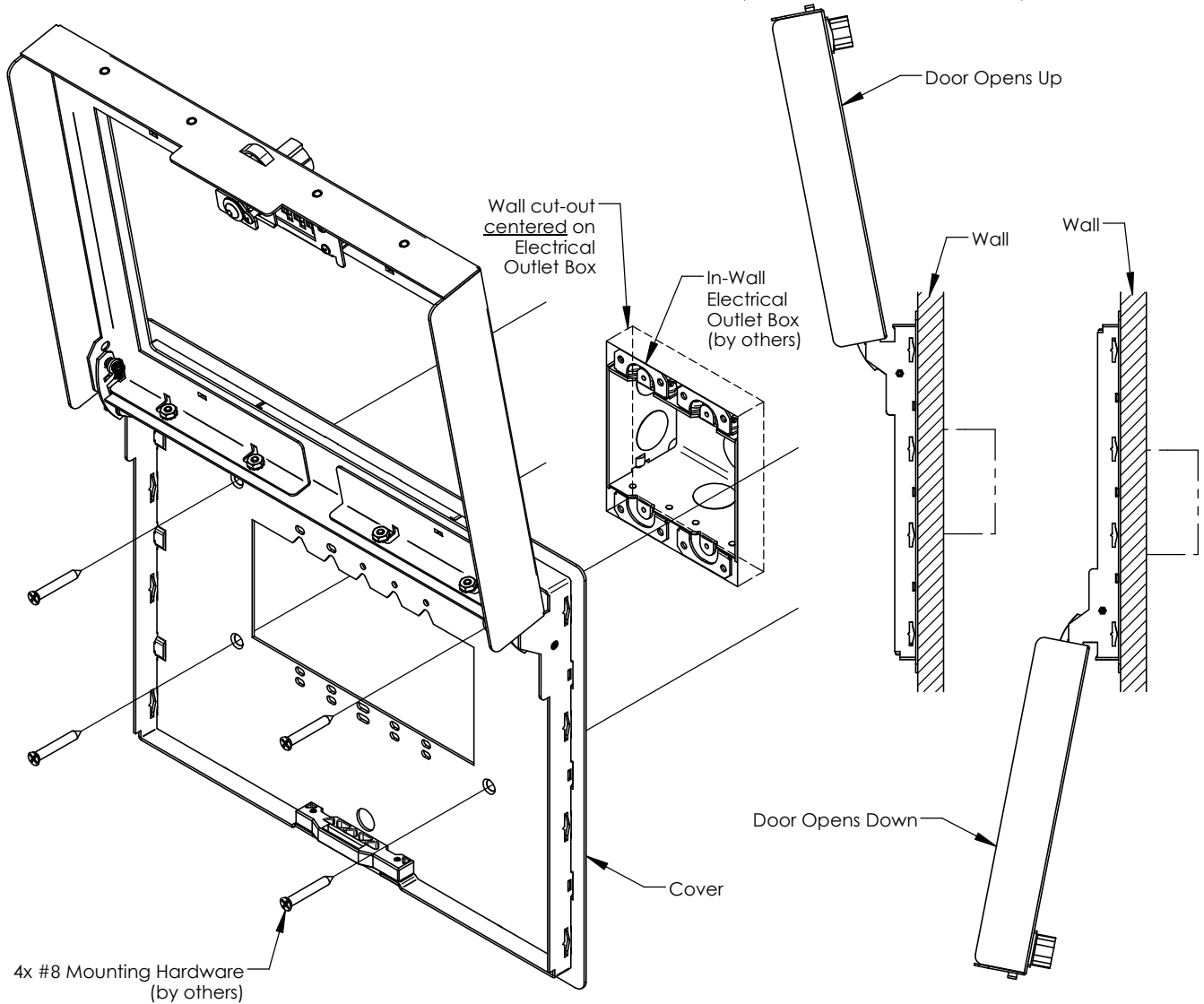
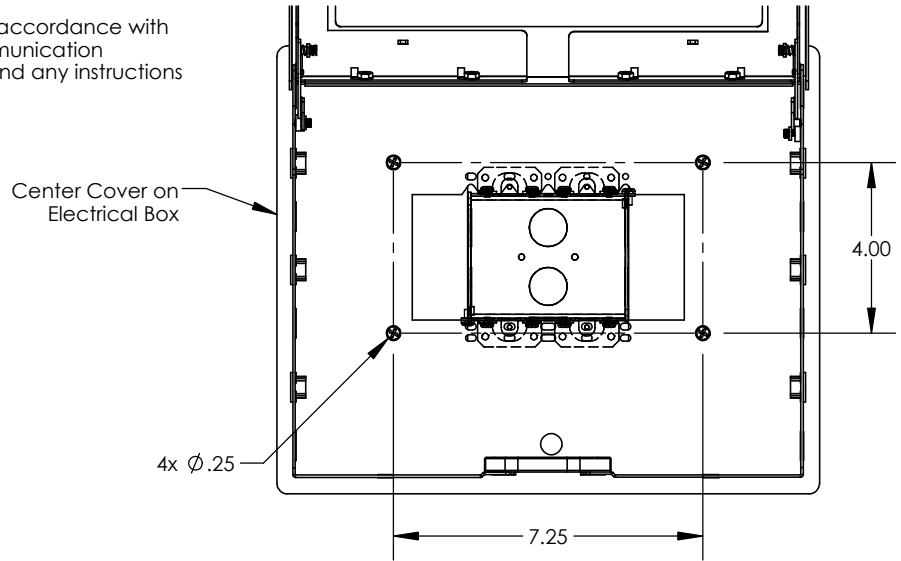


FSR WB-TSC-SM-10-CMB Installation Instructions

244 Bergen Boulevard, Woodland Park, NJ 07424, Phone: 973.998.2300 - Fax: 973.785.4207

NOTICE: For installation by qualified personnel in accordance with all national and local electrical codes and communication standards. Adhere to the following instructions and any instructions included with the individual components.

Center gang mounting holes in cover with gang mounting holes in Electrical Outlet Box (2-gang box shown) and secure cover to wall with required hardware (by others).



Cover can be installed so that door opens upward or downward.

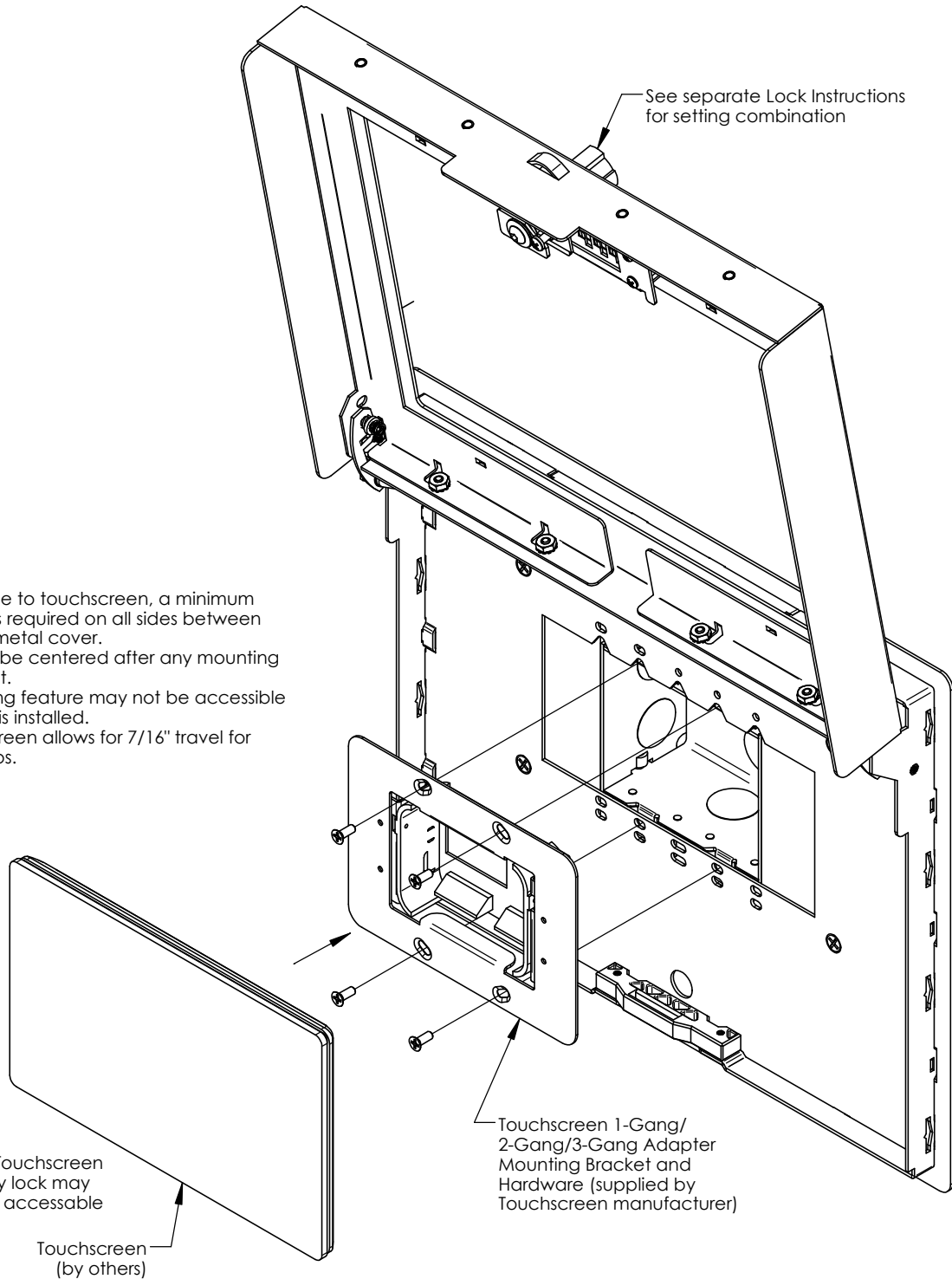
Touchscreen Installation:

Touchscreen Maxium Size: 10.13"W x 7.25"H x 1.19"D

Refer and follow the touchscreen's installation instructions for mounting on a 1-gang/2-gang/3-gang electrical box (2-gang shown).

The drawing below depicts one possible touchscreen and is for reference only.

Your specific touchscreen may require special brackets that may or may not be supplied with your touchscreen. Contact the touchscreen manufacturer for 1-gang/2-gang/3-gang mounting brackets and instruction.



Note:

1. To prevent damage to touchscreen, a minimum clearance of .25" is required on all sides between touchscreen and metal cover.
2. Touchscreen must be centered after any mounting bracket movement.
3. Touchscreen locking feature may not be accessible after touchscreen is installed.
4. Maximum touchscreen allows for 7/16" travel for mounting hook tabs.