

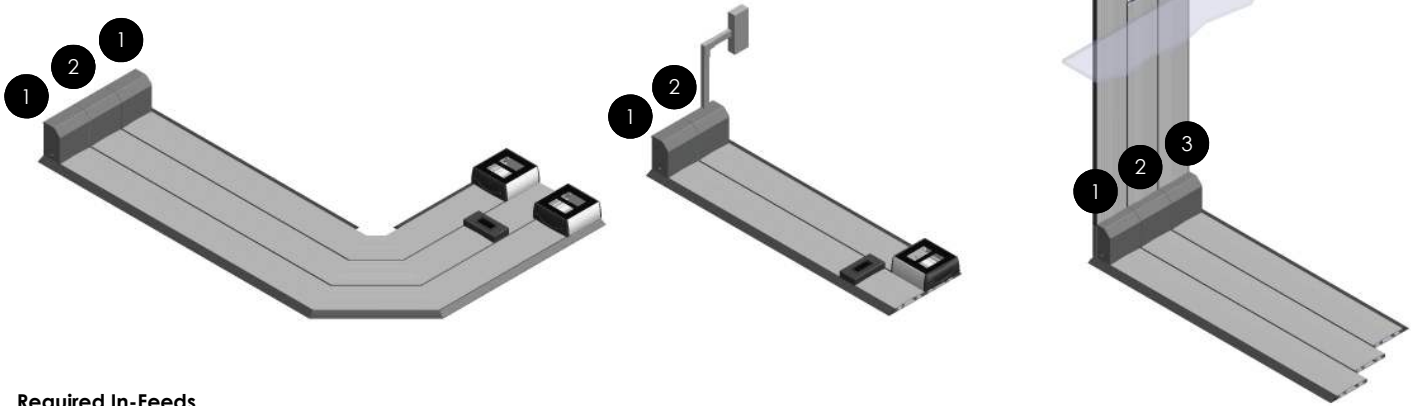
FSR Parallel SmartWay Raceway Installation Instructions

244 Bergen Boulevard, Woodland Park, NJ 07424, Phone: 973.785.4347 - FAX 973.785.4207

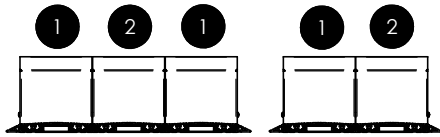
- **NOTICE:** For installation by a qualified electrician in accordance with all national and local electrical codes and communication standards. Adhere to the following instructions and any instructions included with the individual raceway components.
- **NOTICE:** Power, data/communications circuits must be separated in accordance with the NEC and CEC.
- **CAUTION:** Risk of electrical shock. Disconnect power before installing. Never wire powered electrical components.
- **NOTICE:** For indoor use only.
- All in-feeds and bases must be securely fastened.
- Maximum gap between raceway bases, covers and fittings: 1/16 inch

Classification; CTS/DTS 3.102 Flushfloor, 3.103 Onfloor, 6.101.1 Dry-Treatment Only, 6.2.6 10J Impact
6.102.3 1,000 N Small Surface Load, 6.4.1 Non-Flame Propagating
IP41; Min Storage Temp - 25°C; Installation and Application Temp - 15°C to 60°C

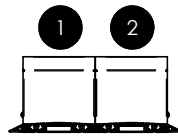
Typical Parallel Raceway Installations



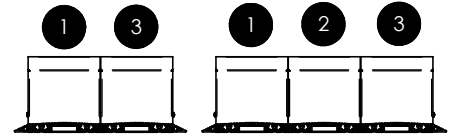
Required In-Feeds



1. SW-WF-HP-ALM/SLT - High-Profile In-Feed
2. SW-WF-HP-C-ALM/SLT - Center Nested In-Feed



1. SW-WF-C-ALM/SLT - High-Profile In-Feed
2. SW-WF-RCWY-ALM/SLT - Surface RW In-Feed



1. SW-WT-SWR-L-ALM/SLT - Left Nested In-Feed
2. SW-WT-SWR-C-ALM/SLT - Center Nested In-Feed
3. SW-WT-SWR-R-ALM/SLT - Right Nested In-Feed

1. Attach In-Feeds

Attach the selected type of in-feed chassis to the first section of all raceway bases. Locate the in-feed boxes on the wall and mount following the instruction provided with the in-feed.

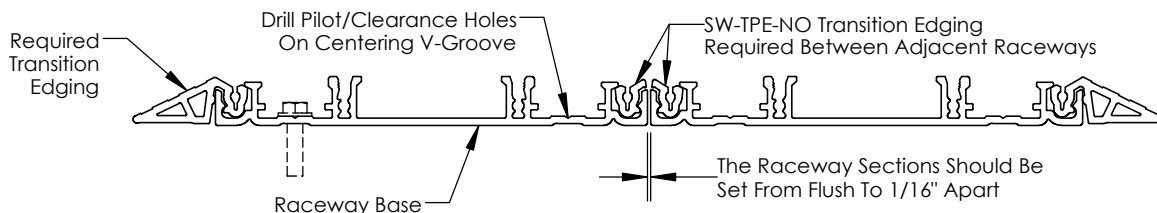
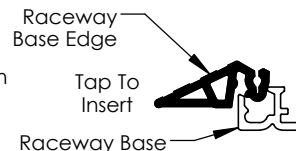
2. Mounting The Raceway

Starting at the wall, cut and deburr bases. Connect sections of base together with the provided connectors, and tighten set screws to ensure grounding. There must be no more than 1/16" gap between sections.

Place raceways next to each other with 1/16" or less between them. Drill pilot holes through base and into floor to attach bases to floor surface.

3. Install Smartway Edging

Using a rubber mallet or butt of rubber-handled hammer, install SW-TPE-NO edging between adjacent raceways. Install the required floor edging on both outside tracks in the raceway base.



4. Wire As Required

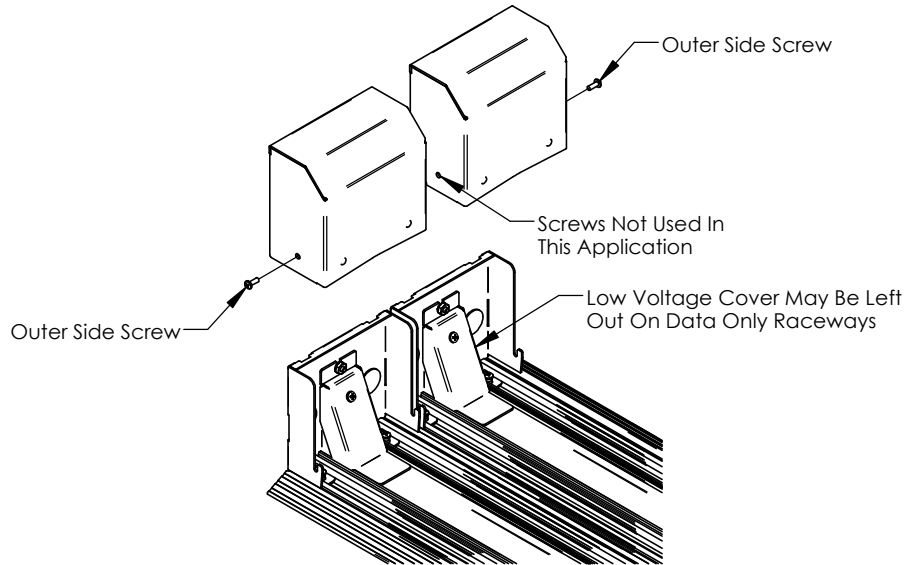
Starting at the source, run wires and cables to the device boxes with the least number of connections reasonable. The Raceway system must be grounded at the wall in-feed and at each device box. Cables and wires can be held in place by the provided wire hold-downs. Extra wire should be left at each device box to allow wiring.

For data only raceways the low voltage cover may be discarded to allow access to all 3 channels in the raceway.

Two Cover In-Feed System

5. Install Cover

After system has been completely wired, install raceway covers. Loosely install one side screw on the outer exposed side of the covers, slip the box covers down into place over the box chassis, ensuring the cover is seated on the chassis properly, then tighten the screws to secure the cover to the chassis.



Three Cover In-Feed System

5. Install Cover

Install the raceway covers after the system has been completely wired. Loosely install one cover side screw on the outer exposed side of the left and right covers, then install 2 long screws supplied with the center in-feed. Do not tighten. Ground cover assembly using the ground wire attached to the center cover. Next slip the 3 box covers down into place over the box chassis, ensuring the covers are seated on the chassis properly, then tighten the screws on the left and right to secure the cover to the chassis.

