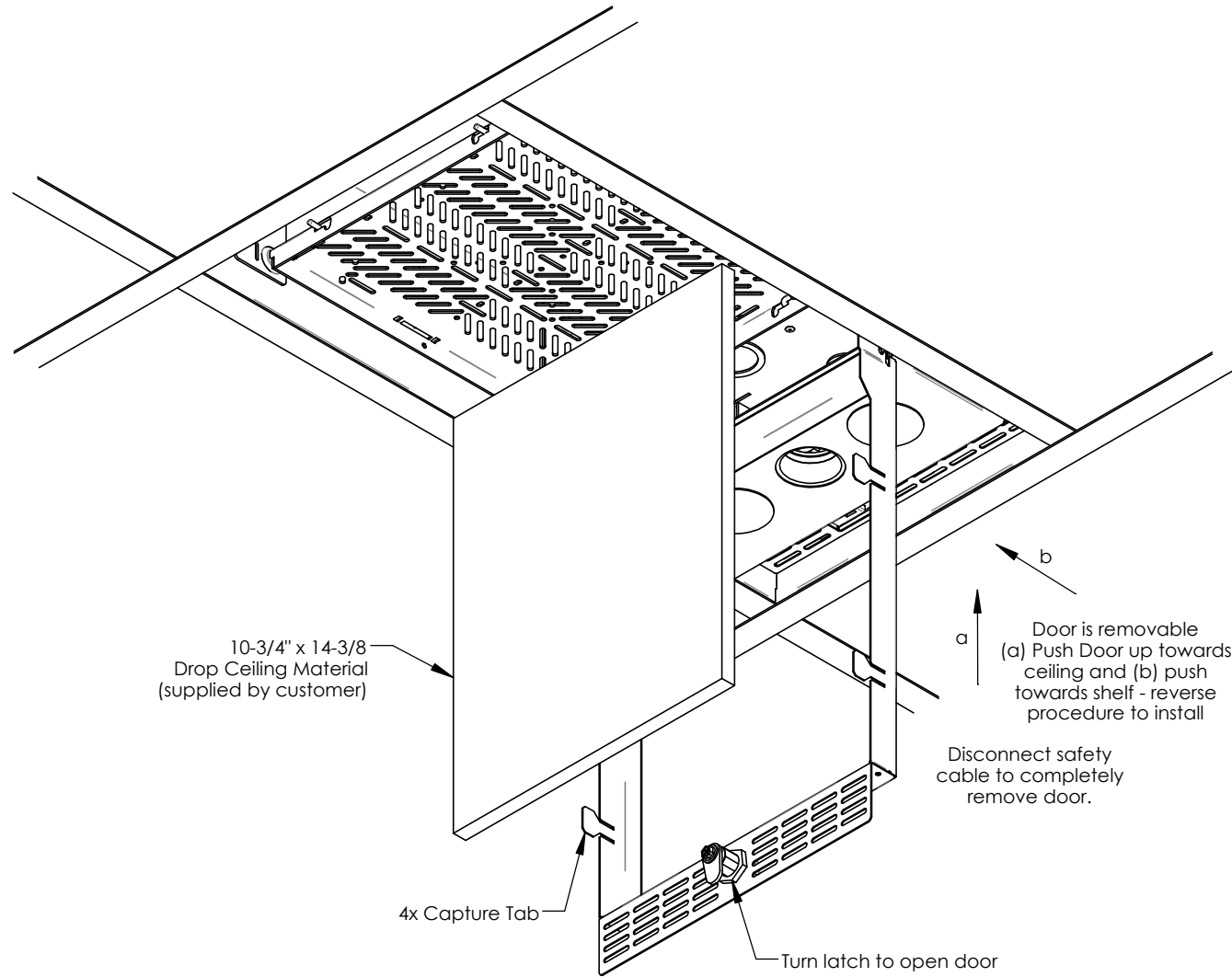


### Drop Ceiling Material:

Install 10-3/4" x 14-3/8" Drop Ceiling Material (supplied by customer) into door. Bend capture tabs over ceiling panel to hold in place.

Optional Solid Cover can be ordered.  
Model Number CB-12P+-SLDR



# FSR CB-12P+ Installation Instructions

244 Bergen Boulevard, Woodland Park, NJ 07424, Phone: 973.785.4347 - Fax: 973.785.4207

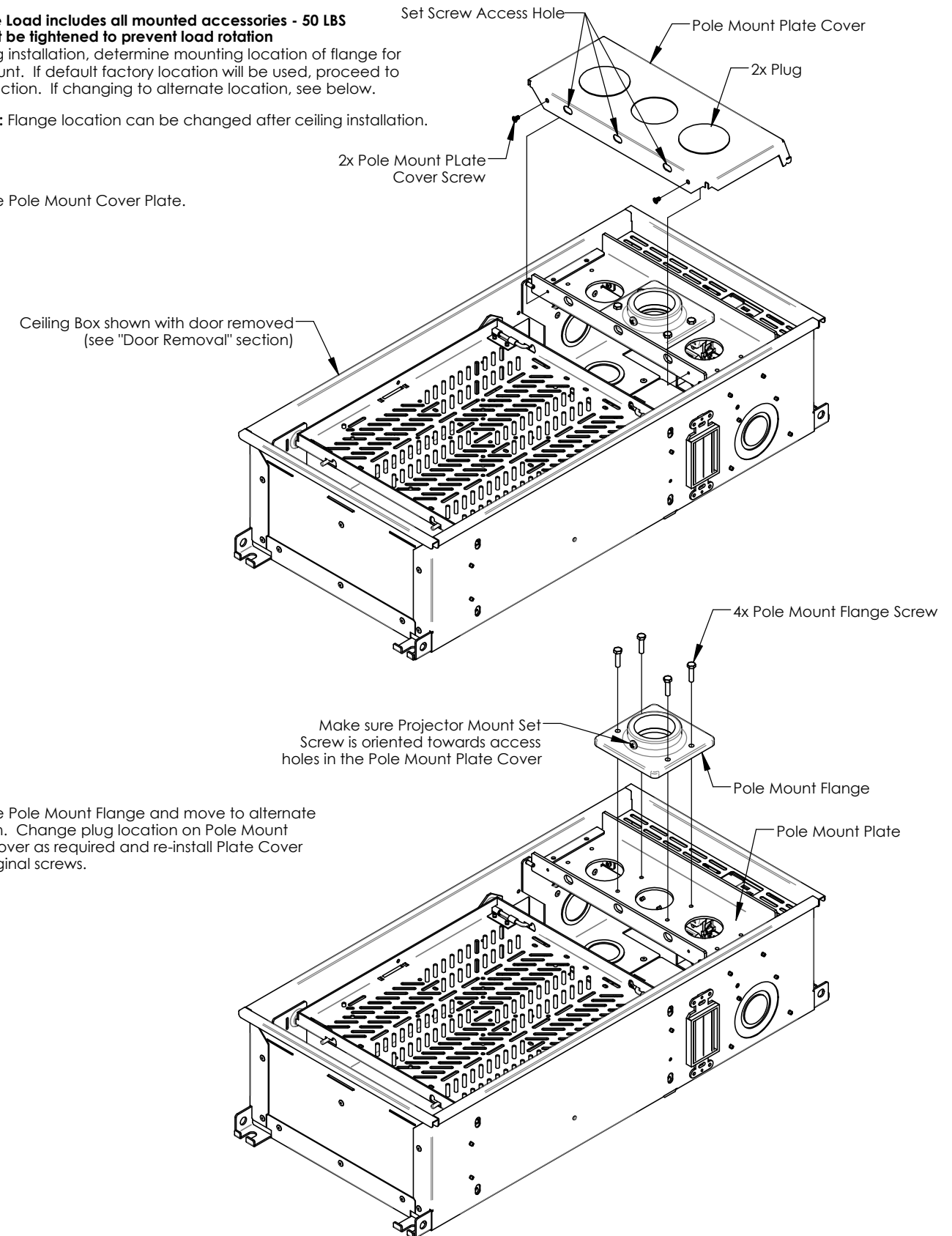
### Pole Location:

**Note: Maximum Pole Load includes all mounted accessories - 50 LBS**  
**Note: Set Screw must be tightened to prevent load rotation**

Prior to ceiling installation, determine mounting location of flange for projector mount. If default factory location will be used, proceed to "Mounting" section. If changing to alternate location, see below.

**NOTE:** Flange location can be changed after ceiling installation.

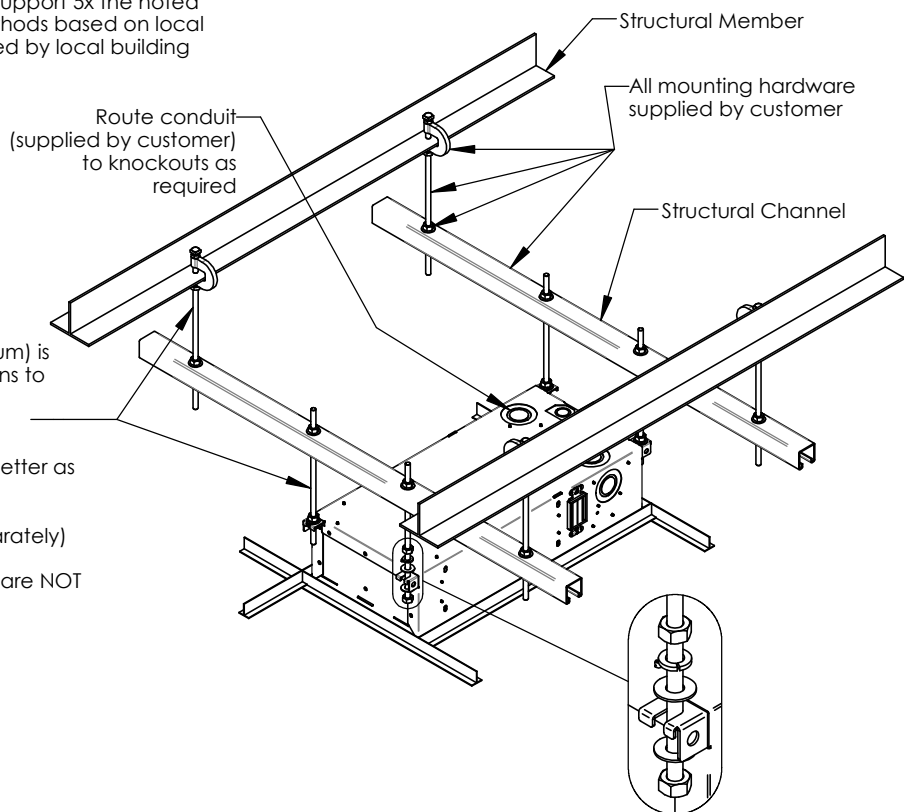
a. Remove Pole Mount Cover Plate.



**Mounting: MAXIMUM GROSS WEIGHT - 130 LBS**

Install CB-12P+ to a structural ceiling able to support 5x the noted gross weight. Use appropriate mounting methods based on local building codes. Install safety cable as required by local building codes. Route conduits to box as required.

**INTENDED FOR USE WITH COMMON "T" GRID DROP CEILING AND IS NOT COMPATIBLE WITH ALL DROP CEILINGS.**



**NOTE: Ceiling Box suspension method**

(Shown) Threaded steel rod (1/4"-20 minimum) is recommended for all ceiling box installations to minimize fixture movement.

**(Alternate Method 1)**

12 ga. steel wire may be used (supplied by customer) at 70,000 psi tensile strength or better as required by building codes.

**(Alternate Method 2)**

Quick 3/32" Cable Installation Kit (sold separately) Model Number CB-MNT1

**NOTE:** Cables support the Ceiling Box, and are NOT safety cables.

**AC Mains Connections:**

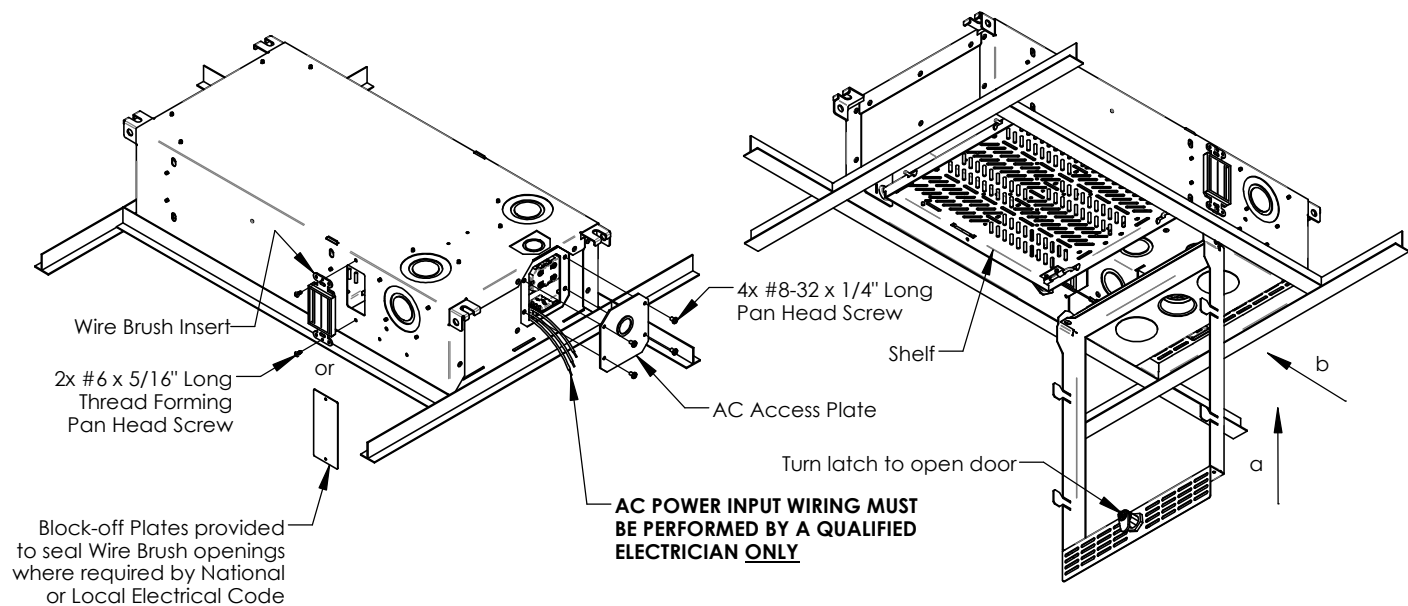
To install AC main power into unit, remove AC access plate by removing 4x #8-32 screws as shown. Connections to be made to 15 or 20 amp branch circuit by a qualified electrician in accordance with all national and local electrical code requirements. Re-install AC access plate after AC wiring is complete.

**Door Removal:**

Turn latch to open door (unlock if needed). (a) Push door up towards ceiling and (b) push towards shelf - reverse procedure to install. Disconnect safety cable to completely remove door. Installation of 10-3/4" x 19" drop ceiling material into door can be done as required, while door is off or during re-assembly. Bend capture tabs over ceiling panel to hold in place.

**Fan Power Connections for optional Fan Kit:**

Fan Kits are available and sold separately. Fan Kits are provided with an AC adapter and installation instructions.



**Shelf Options and Operation:**

**CAUTION** - Rack mounted equipment can be heavy. Support rack and control load when releasing spring locks.

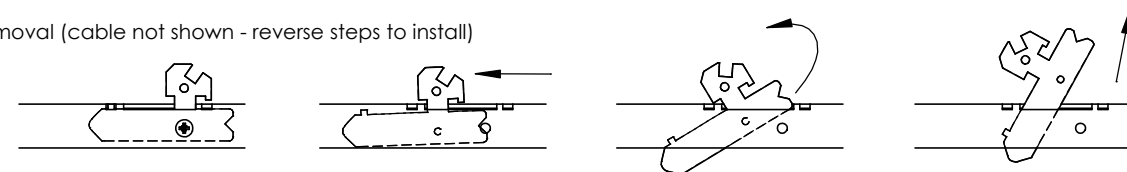
To access shelf and equipment, retract hinges located under the shelf on the side you wish to rotate down. Support the shelf until the cables engage it.

To fully remove the shelf, remove the two #6-32 screws on the sides that retain the cable clip. Slide the clips out of the shelf. The shelf should hang on the two remaining spring hinges. Carefully retract the final two spring hinges while fully supporting shelf as it rotates out of the Ceiling Box.

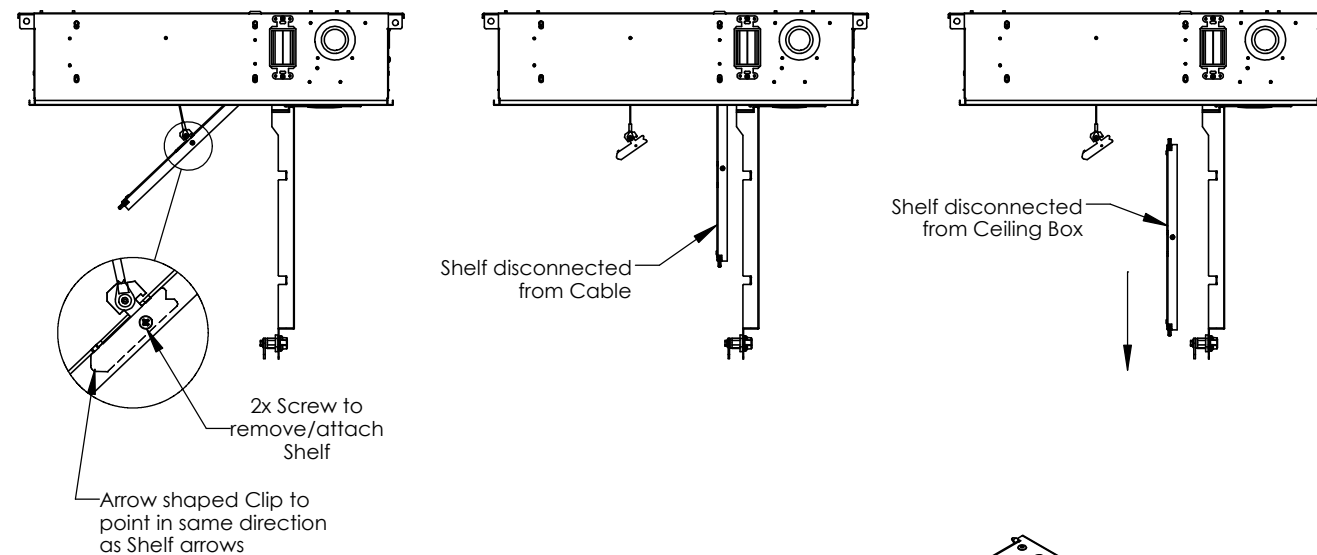
For shelf installation, the arrows on the shelf must point away from the receptacles at the back of the box and towards the door latch at the front. Fully retract 2 hinges on the rear of the shelf and lift shelf into Ceiling Box. Align both pins with the Ceiling Box embosses located on either side of chassis. Insert point side of the cable clips into the side of the shelf, rotate until the end of the clip passes through the shelf, then slide clip back. Install the two #6-32 screws through the shelf side into the clips. Fully retract the remaining 2 hinges on the front of the shelf and rotate shelf into Ceiling Box engaging the hinge pins in the front embosses.

The shelf may be flipped over and mounted to the top of the Ceiling Box using the same spring hinge operation. In this position the cables will not function as rotational supports.

Clip Removal (cable not shown - reverse steps to install)



Shelf Removal (reverse steps to install)



Remove shelf to mount electronics. Use existing holes/slot pattern adding additional holes if required to adequately secure equipment. Reinstall shelf and make electrical connections as required.

**MAXIMUM SHELF WEIGHT - 40 LBS**

