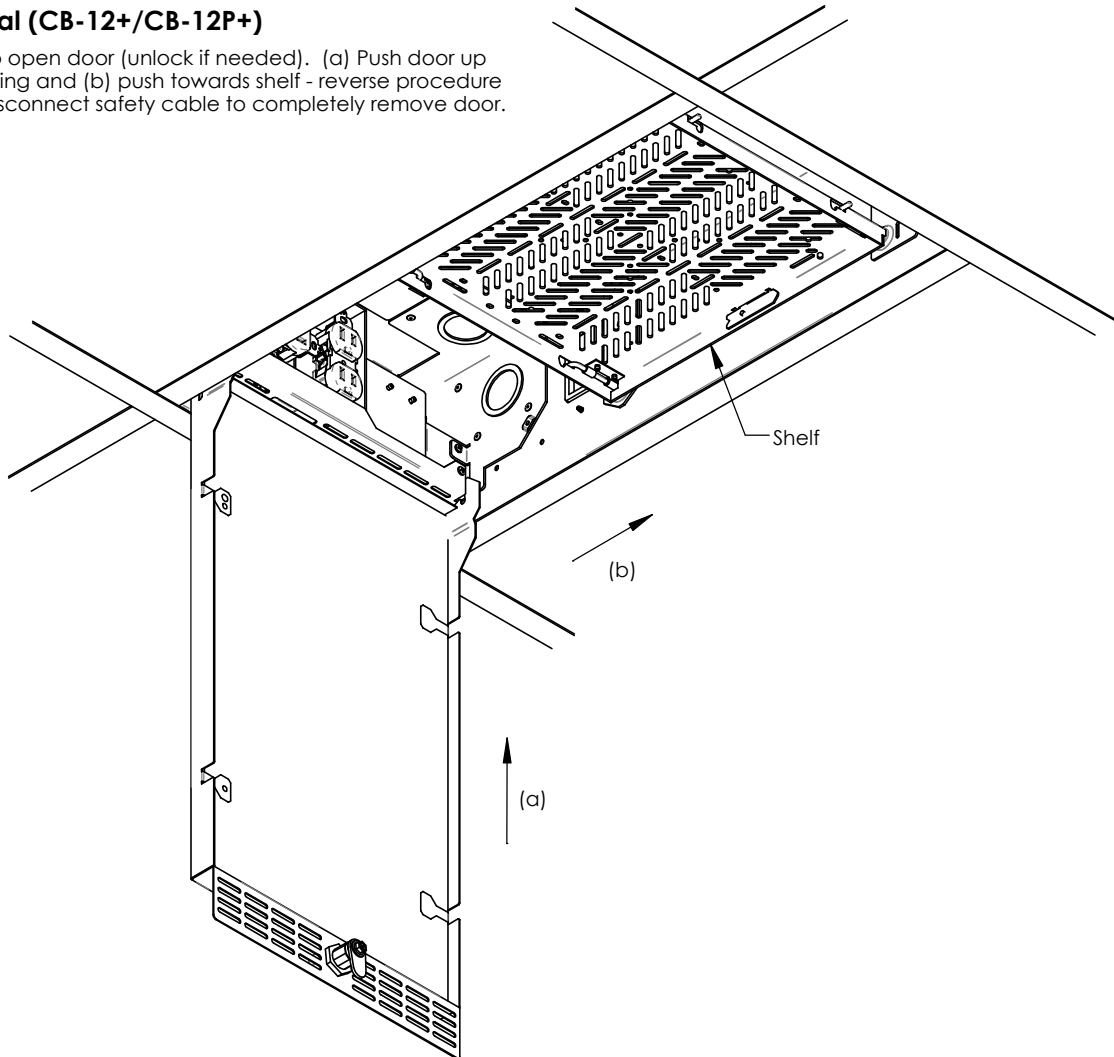


Door Removal (CB-12+/CB-12P+)

Turn latch to open door (unlock if needed). (a) Push door up towards ceiling and (b) push towards shelf - reverse procedure to install. Disconnect safety cable to completely remove door.

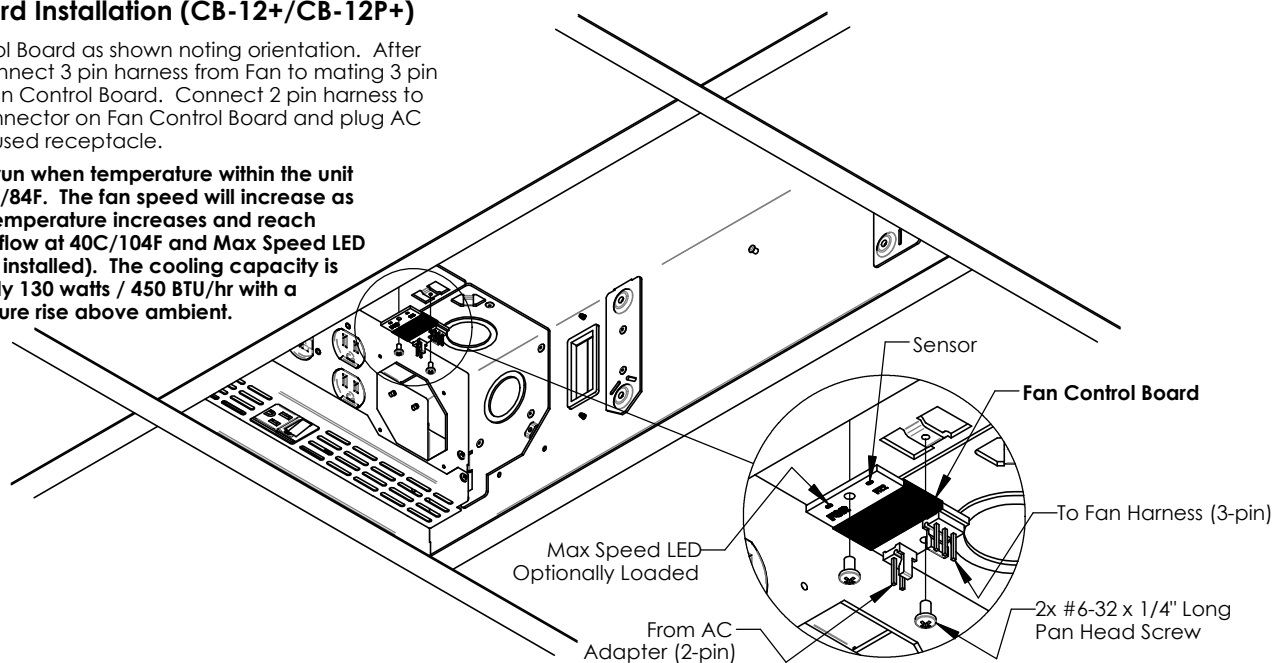
CB-12+ Shown

**Fan Control Board Installation (CB-12+/CB-12P+)**

Install Fan Control Board as shown noting orientation. After installing fan, connect 3 pin harness from Fan to mating 3 pin connector on Fan Control Board. Connect 2 pin harness to mating 2 pin connector on Fan Control Board and plug AC adapter into unused receptacle.

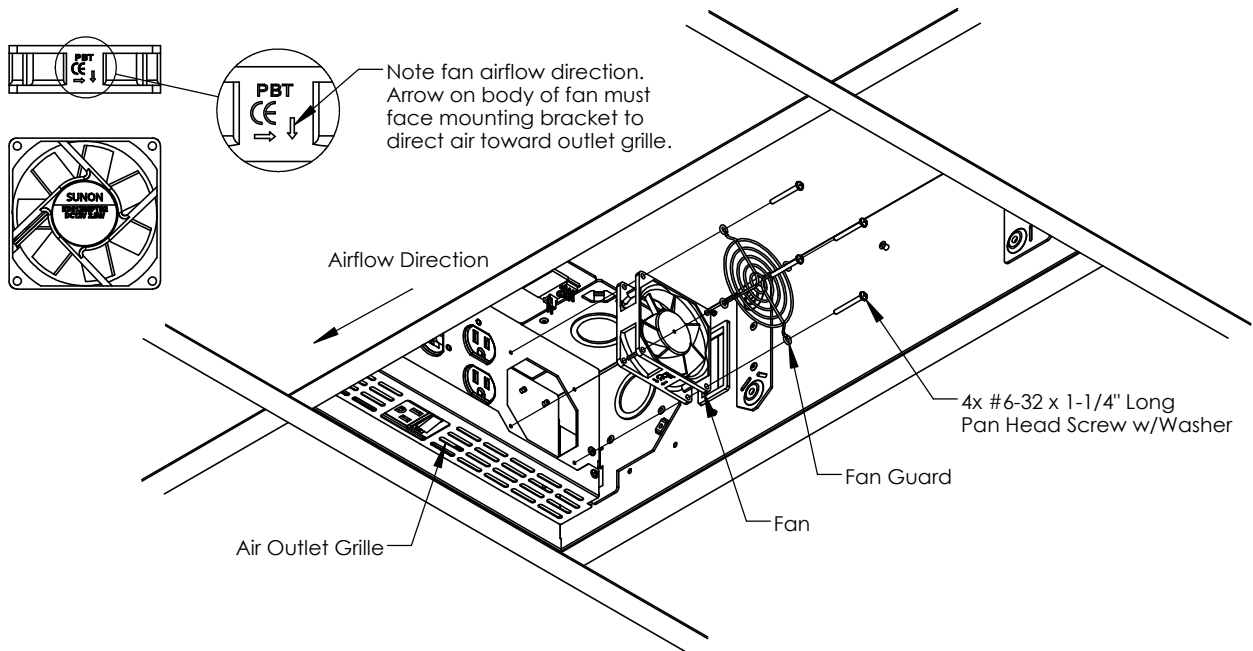
Note: Fan will only run when temperature within the unit exceeds 29C/84F. The fan speed will increase as the internal temperature increases and reach maximum airflow at 40C/104F and Max Speed LED illuminates (if installed). The cooling capacity is approximately 130 watts / 450 BTU/hr with a 10° temperature rise above ambient.

CB-12+ Shown



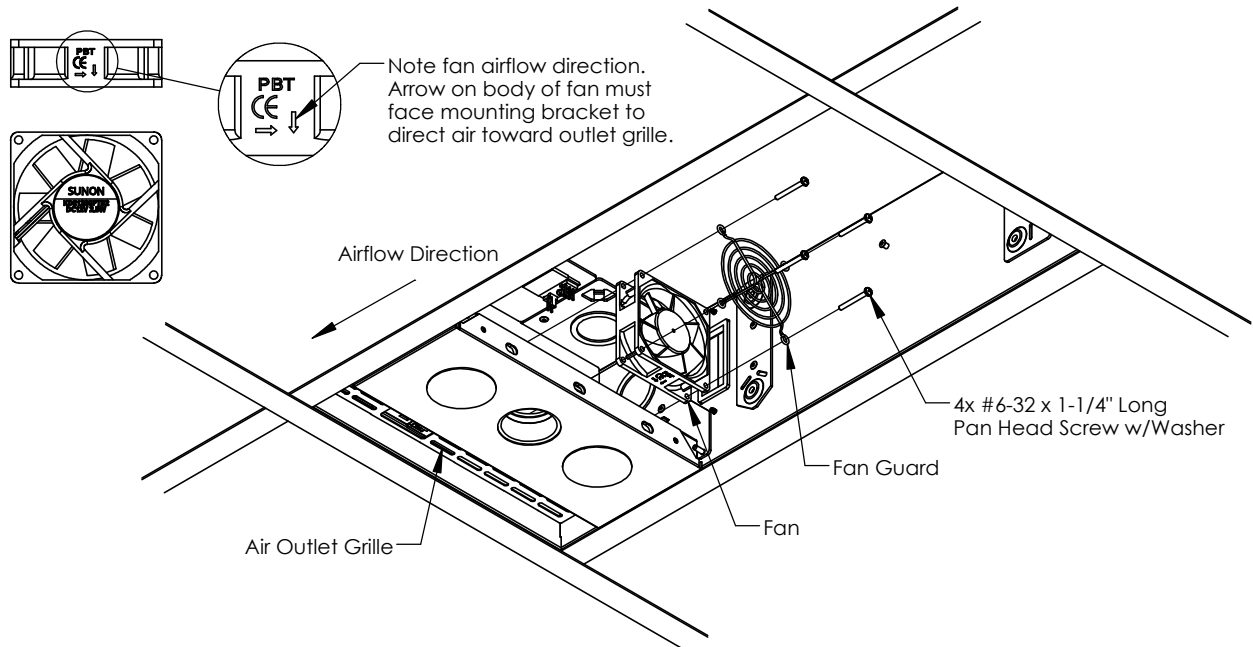
Fan Installation (CB-12+)

Install Fan Kit assembly as shown (shelf not shown for clarity).



Fan Installation (CB-12P+)

Install Fan Kit assembly as shown (shelf must be removed to install fan kit).



Foam Installation (CB-12P+ ONLY)

Install adhesive foam to door as shown.

