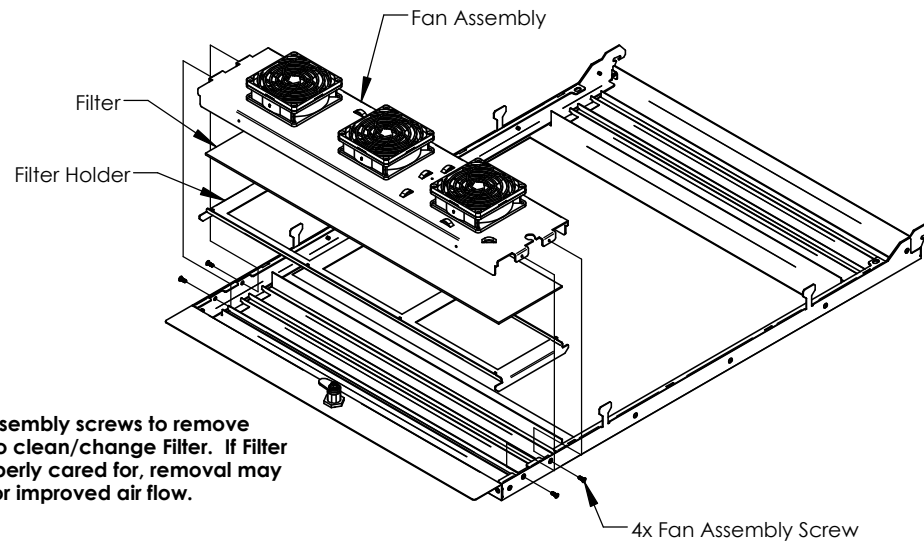


Fan Power Connections/Fan Filter Removal:

Fan equipped models are provided with either an AC adapter or POE power supply. Installation instructions are included with the power supply.

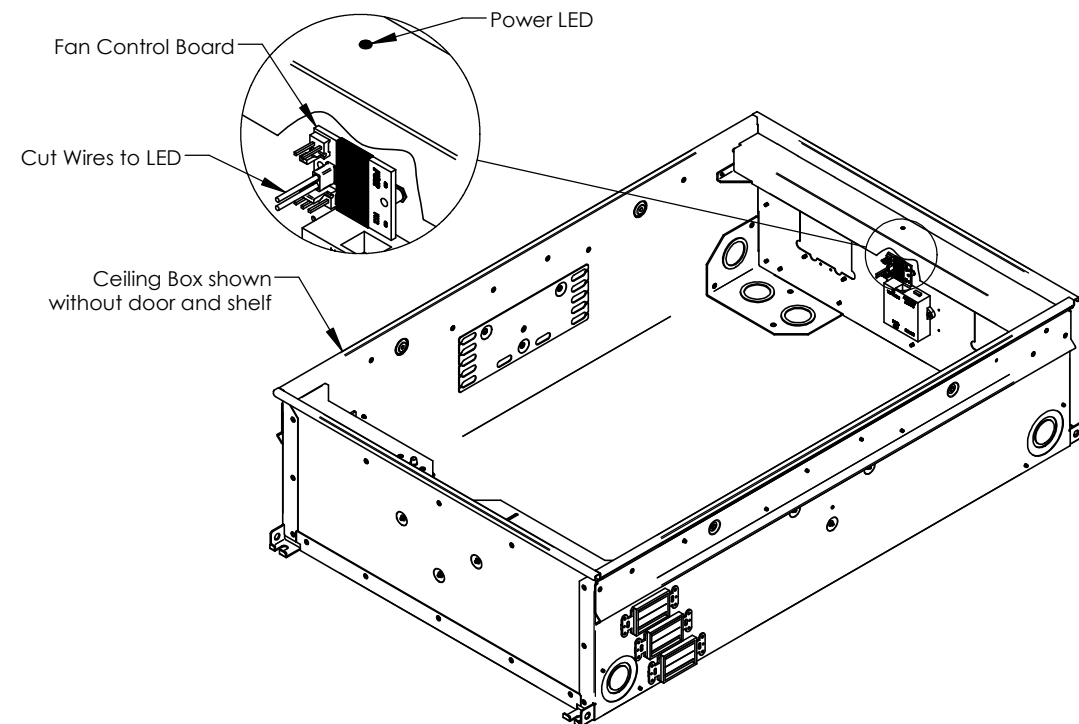
System Airflow Considerations: The CB-324+ is equipped with temperature-controlled fans that start automatically at low speed at approximately 29°C and increase to full speed at approximately 40°C. The direction of airflow is into the CB-324+ from the grille area at latch side of the door, and out through grille area near the door hinge. The installer should consider the airflow direction of any fan-equipped units and install so they are not in conflict with the CB-324+ fans. Some equipment is designed with side-to-side airflow in which case the installer should consider adding a foam seal at the front (CB-324+ fan side) of the rack, and rear (door hinge side) of the rack on the opposite side.

Note: Fan will only run when temperature within the unit exceeds 29C/84F. The fan speed will increase as the internal temperature increases and reach maximum airflow at 40C/104F and Max Speed LED illuminates (if installed). The cooling capacity is approximately 400 watts / 1360 BTU/hr with a 10 ° temperature rise above ambient.



Power LED Disconnect

LED indicates ceiling box is receiving power. To disconnect LED cut wires from Fan Control Board connected to LED.



FSR CB-324+ Installation Instructions

244 Bergen Boulevard, Woodland Park, NJ 07424, Phone: 973.785.4347 - Fax: 973.785.4207

Mounting: MAXIMUM RACK DISTRIBUTED LOAD - 60 LBS MAXIMUM GROSS WEIGHT RATING - 135 LBS

Install CB-324+ to a structural ceiling able to support 5x the noted gross weight. Use appropriate mounting methods based on local building codes. Install safety cable as required by local building codes. Route conduits to box as required.

NOTE: Ceiling Box suspension method

(Shown) Threaded steel rod (1/4"-20 minimum) is recommended for all ceiling box installations to minimize fixture movement.

(Alternate Method 1)

12 ga. steel wire may be used (supplied by customer) at 70,000 psi tensile strength or better as required by building codes.

(Alternate Method 2)

Quick 3/32" Cable Installation Kit (sold separately)
Model Number CB-MNT1

NOTE: Cables support the Ceiling Box, and are NOT safety cables.

Door Removal and Electrical Disconnect:

Turn latch to open door (unlock if needed). (a) Push door up towards ceiling and (b) push towards shelf - reverse procedure to install. Disconnect safety cable and electrical quick disconnect components to completely remove door. Installation of 20-1/2" x 22-1/2" drop ceiling material into door can be done as required, while door is off or during re-assembly. Bend capture tabs over ceiling panel to hold in place.

AC Mains Connections:

Wiring to be done by a qualified electrician in accordance with all national and local electrical code requirements.

The CB-324+ is provided with (1) 2-gang device box, (1) device box block-off plate, and mounting hardware. A second device box (not provided) may be installed. Device boxes installed from the inside of the unit.

Considerations for Installation in Air Handling Space :

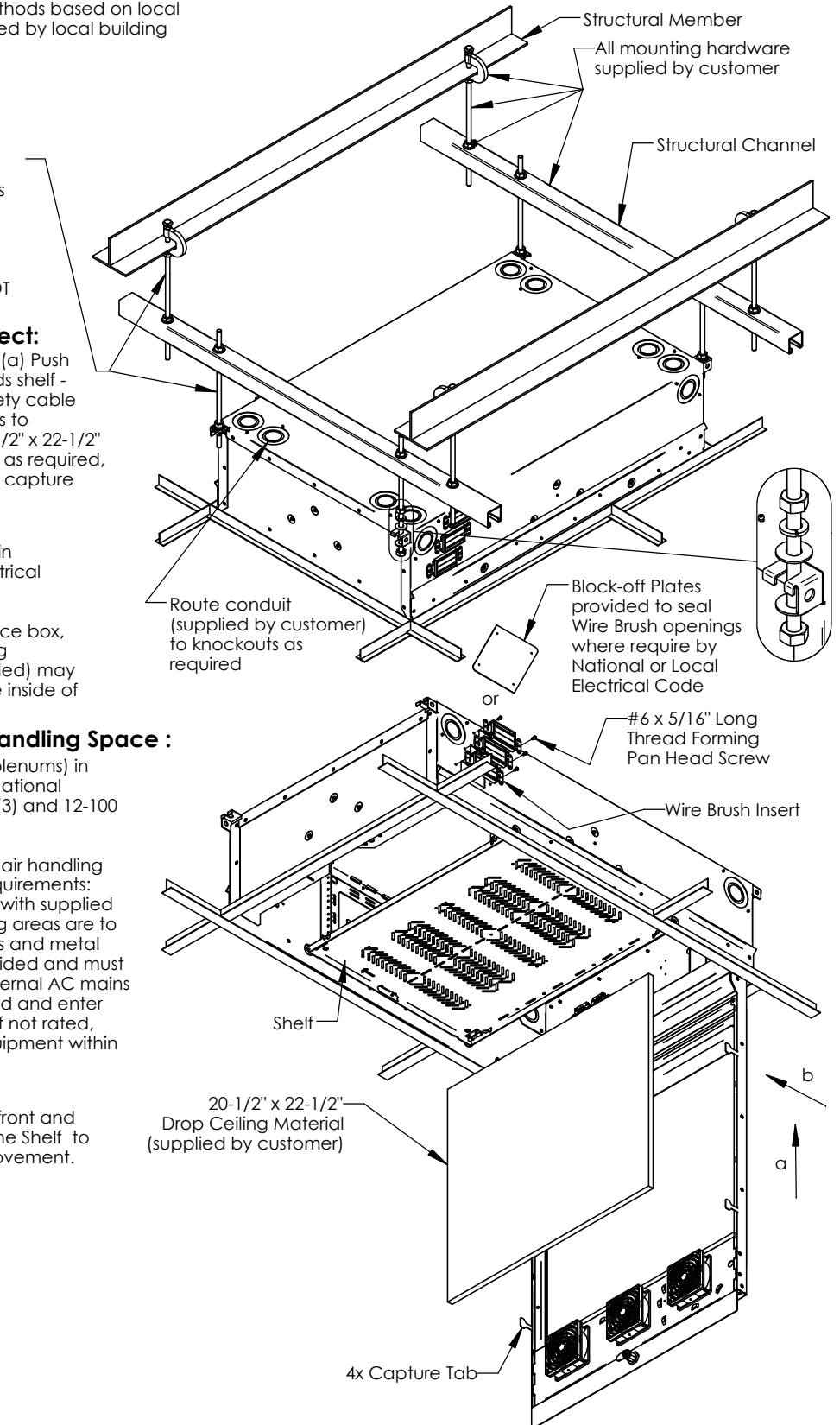
Suitable for use in environmental air spaces (plenums) in accordance with Section 300.22 (C) of the National Electrical Code, and Sections 12-128, 12-010(3) and 12-100 of the Canadian Electrical Code.

When mounting CB-324+ in an environmental air handling space, comply with the following special requirements: Remove all plastic brush inserts and replace with supplied metal block-off plates. Device box mounting areas are to be used with approved metallic outlet boxes and metal cover plates. A metal block-off plate is provided and must be used to cover an unused position. All external AC mains and low-voltage wiring must be plenum rated and enter through close-fitting metal cable clamps or if not rated, through metal conduit. Install only listed equipment within CB-324+ enclosure.

Wiring Provisions:

Wire attachment plates are installed on the front and side walls of the box, as well as the sides of the Shelf to ensure wires are not pinched during Shelf movement.

INTENDED FOR USE WITH COMMON "T" GRID DROP CEILING AND IS NOT COMPATIBLE WITH ALL DROP CEILING.



Shelf Options and Operation:

Caution - Rack mounted equipment can be heavy. Support rack and control load when releasing spring locks.

To access shelf and equipment, retract hinges located under the shelf on the side you wish to rotate down. Support the shelf until the cables engage it.

To fully remove the shelf, remove the two #6-32 screws on the sides that retain the cable clip. Slide the clips out of the shelf. The shelf should hang on the two remaining spring hinges. Carefully retract the final two spring hinges while fully supporting shelf as it rotates out of the Ceiling Box.

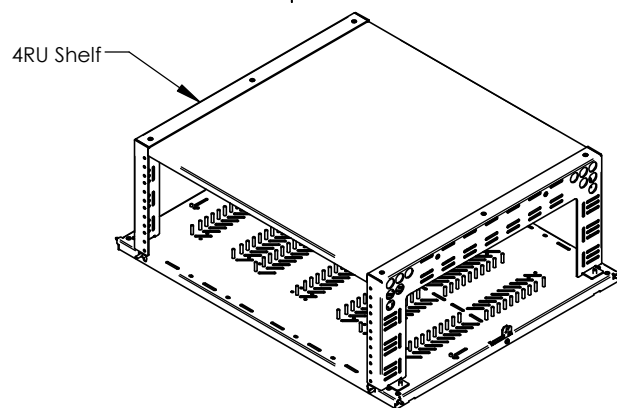
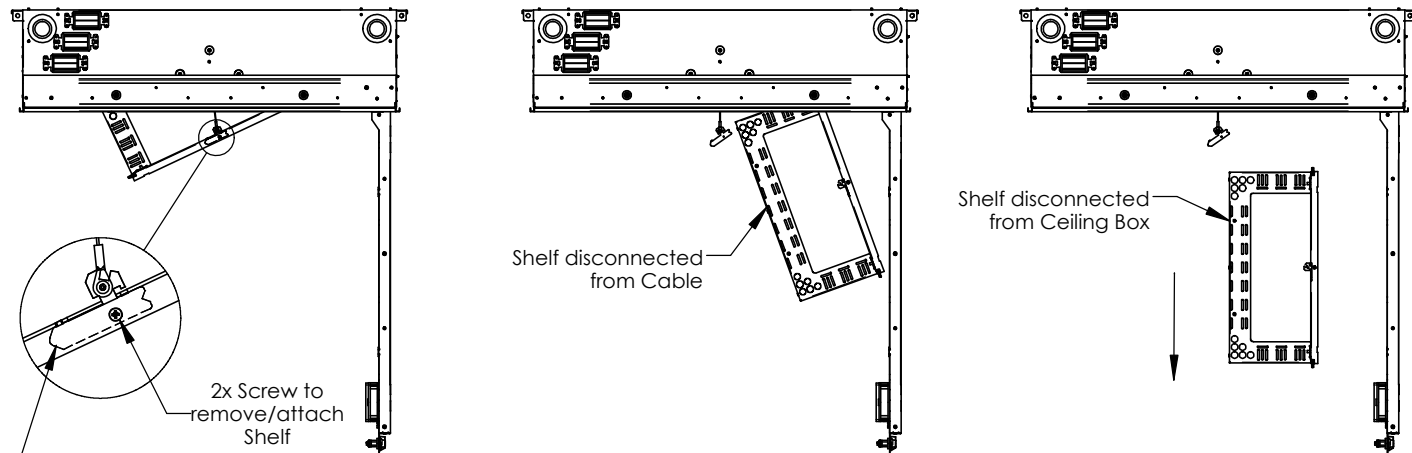
For shelf installation, the arrows on the shelf must point away from the receptacles at the back of the box and towards the door latch at the front. Fully retract 2 hinges on the rear of the shelf and lift shelf into Ceiling Box. Align both pins with the Ceiling Box embosses located on either side of chassis. Insert point side of the cable clips into the side of the shelf, rotate until the end of the clip passes through the shelf, then slide clip back. Install the two #6-32 screws through the shelf side into the clips. Fully retract the remaining 2 hinges on the front of the shelf and rotate shelf into Ceiling Box engaging the hinge pins in the front embosses.

The shelf may be flipped over and mounted to the top of the Ceiling Box using the same spring hinge operation. In this position the cables will not function as rotational supports.

Clip Removal (cable not shown - reverse steps to install)

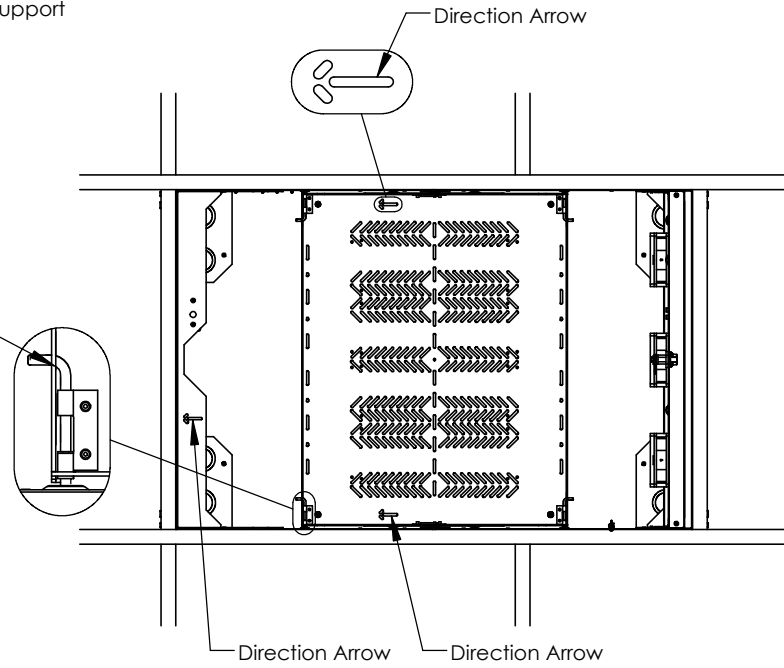


Shelf Removal (reverse steps to install)



- Remove shelf to mount electronics. Use existing holes/slot pattern adding additional holes if required to adequately secure equipment. Reinstall shelf and make electrical connections as required.
- To install rack-sized equipment, install rack unit and reinstall shelf into Ceiling Box. Make electrical connections as required.

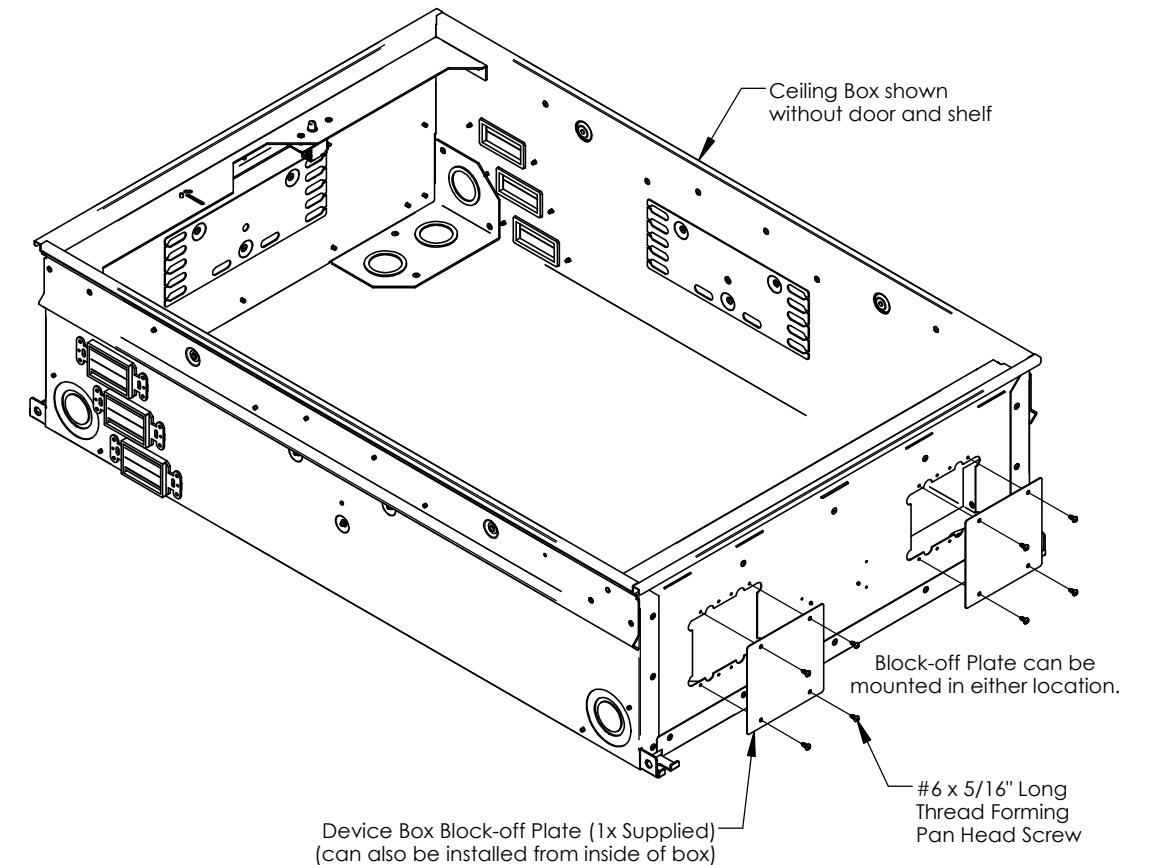
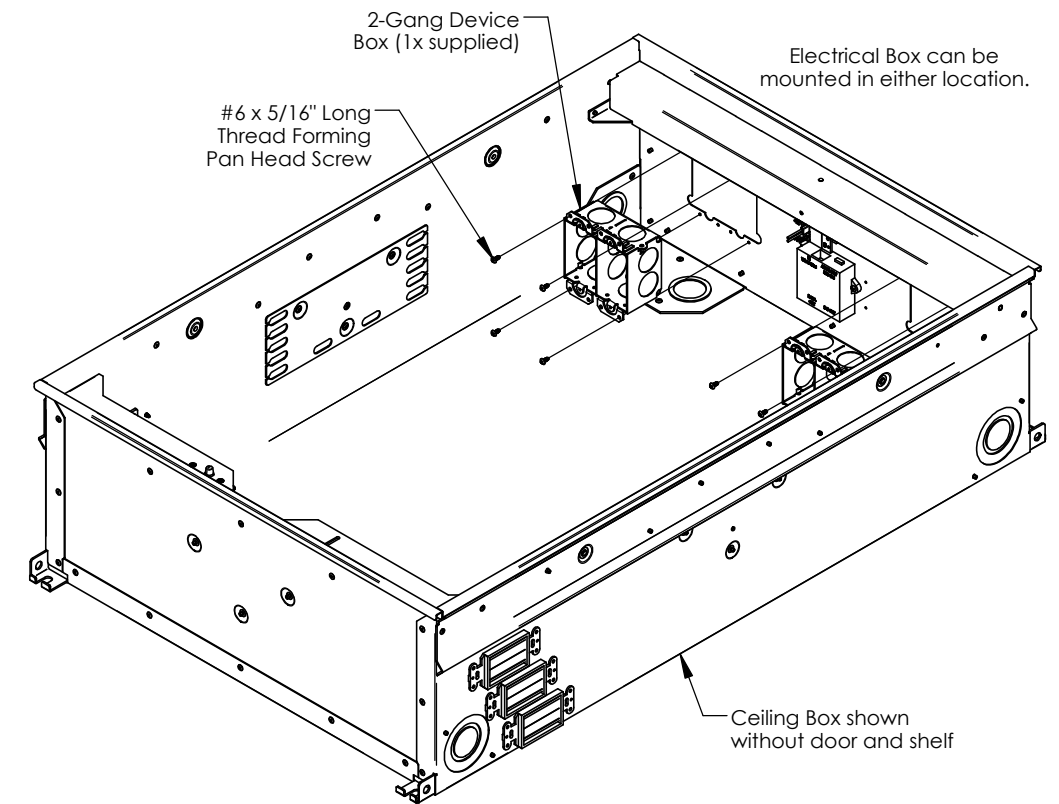
MAXIMUM RACK DISTRIBUTED LOAD - 60 LBS



2-Gang Device Box/Device Box Block-off Plate Installation

Install 2-Gang Device Box (supplied) from inside of box as shown.

Install Device Box Block-off Plate (supplied) from inside or outside of box (outside installation shown).



Device Box Block-off Plate (1x Supplied) (can also be installed from inside of box)