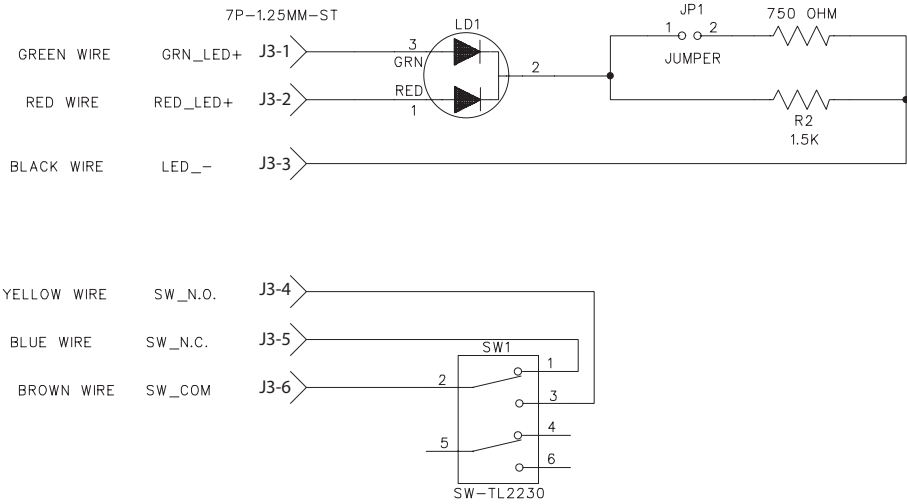


Schematic

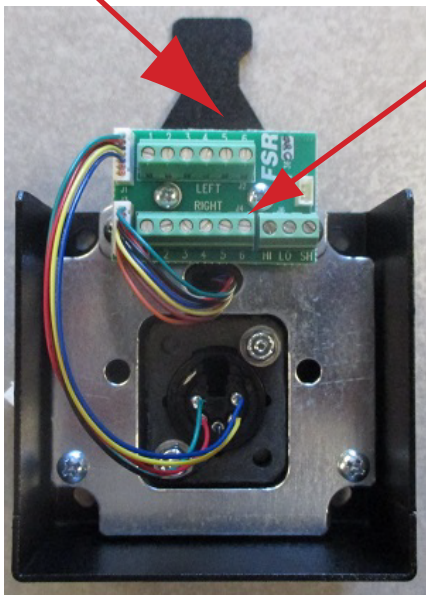
INSTALL JUMPER FOR 5 VOLT LED
REMOVE FOR 12 VOLT LED



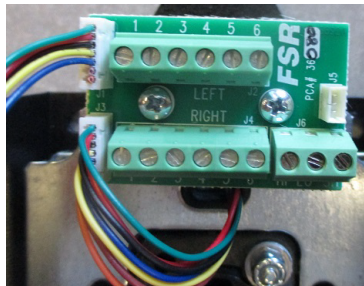
After installing the cover in the table, insert wire harness into this hole.



Use this screw terminal to wire up 5 pin XLR, XLR pin numbers correspond to screw terminal numbers on PC-board.



To Cover assembly Switch and LED. See schematic above.



FSR

244 BERGEN BLVD.
W. PATERSON, NJ 07424
TEL. (973) 785-4347

T3-MJ-1B NO MUTE 5 PIN XLR

PRODUCT:	T3-MJ-1B NO MUTE	PART#	43982
DRAWN BY:	AB	DATE:	12-28-2011
APPROVED BY:		DATE:	
DWG.#	C-1162A	REV.	PAGE OF

REV. LEVEL	REF. ECO	REV. DATE	APPROVED	DESCRIPTION
A		6-28-2021		