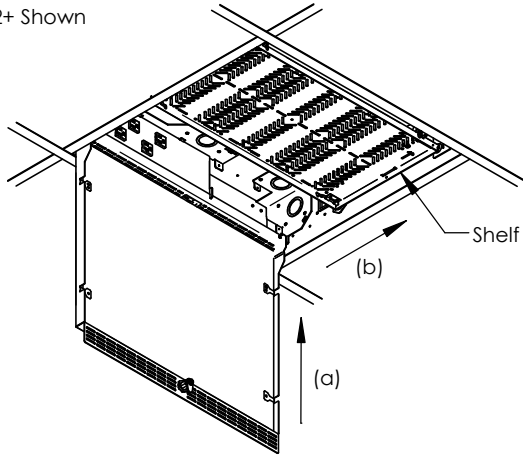


Door Removal (CB-22+/CB-22P+)

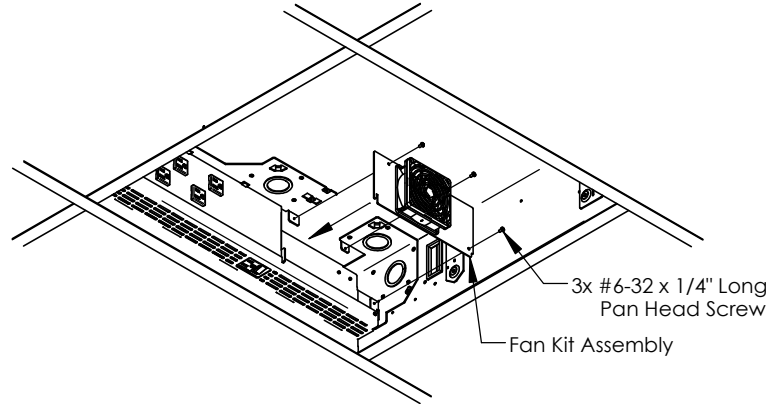
1. Turn latch to open door (unlock if needed). (a) Push door up towards ceiling and (b) push towards shelf - reverse procedure to install. Disconnect safety cable to completely remove door.

CB-22+ Shown



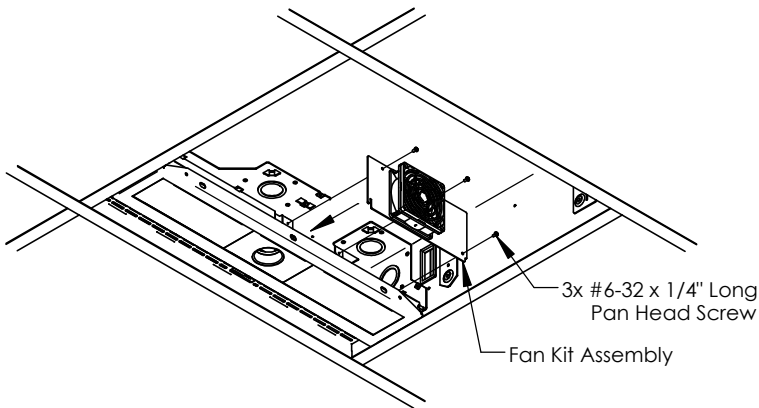
Fan Installation (CB-22+)

- 2a. Install Fan Kit assembly as shown (shelf not shown for clarity).



Fan Installation (CB-22P+)

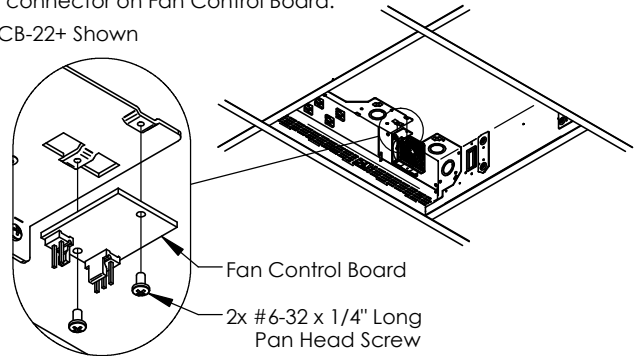
- 2b. Install Fan Kit assembly as shown (shelf must be removed to install fan kit).



Fan Control Board Installation (CB-22+/CB-22P+)

3. Install Fan Control Board as shown noting orientation (Fan not shown for clarity). Connect 3 pin harness from Fan to mating 3 pin connector on Fan Control Board. Plug AC adapter into unused receptacle and connect 2 pin harness to mating 2 pin connector on Fan Control Board.

CB-22+ Shown



Note: Fan will only run when temperature within unit exceeds 30C/86F. Fan speed will increase as internal temperature increases and reach its maximum airflow at 40C/104F.

Foam Installation (CB-22P+ ONLY)

4. Install adhesive foam to door as shown.

