



# DV-HDA4K-14AUD

## 1x4 HDMI 2.0 Splitter with Scaler/Audio Extract



244 Bergen Blvd Woodland Park NJ 07424

973-998-2300 [www.fsrinc.com](http://www.fsrinc.com)

# User Manual

## VER 1.0

## **Thank you for purchasing this product**

For optimum performance and safety, please read these instructions carefully before connecting, operating, or adjusting this product. Please keep this manual for future reference.

## **Surge protection device recommended**

This product contains sensitive electrical components that may be damaged by electrical spikes, surges, electric shock, lightning strikes, etc. Use of surge protection systems is highly recommended to protect and extend the life of your equipment.

# Table of Contents

<b>1. Introduction .....</b>	<b>2</b>
<b>2. Features .....</b>	<b>3</b>
<b>3. Package Contents .....</b>	<b>4</b>
<b>4. Specifications .....</b>	<b>4</b>
<b>5.Operation Controls and Functions .....</b>	<b>6</b>
<b>5.1 Front Panel.....</b>	<b>6</b>
<b>5.2 Rear Panel.....</b>	<b>8</b>
<b>6. Application Example .....</b>	<b>9</b>

## Introduction

The 1x4 HDMI 2.0 Splitter simultaneously routes one HDMI source to four HDMI displays. It supports resolutions up to 4K2K@60Hz (4:4:4) and HDCP 2.2. This product supports audio extraction from an HDMI source as optical and analog audio.

Output supports bypass and downscaling(4K->1080P).

## 1. Features

- ☆ HDMI 2.0b, HDCP2.2/HDCP1.4 compliant.
- ☆ Supports HDMI resolution the maximum up to 4K2K@50/60Hz (4:4:4)
- ☆ Supports digital and analog audio extraction from an HDMI source.
- ☆ Supports output bypass and 4K->1080P downscaling via dip switches on device.
- ☆ User selectable EDID, COPY and AUTO modes via dip switch.

COPY: Copies OUT 1 port EDID setting to all output ports; if no EDID is detected on HDMI OUT 1 then the unit will copy the EDID from OUT 2 and so on.

AUTO: Compare OUT 1 and OUT 2 EDID setting and output the best resolution to all outputs).

- ☆ Supports HDMI audio format LPCM, Dolby Digital/Plus/EX, Dolby True HD, DTS, DTS-EX, DTS-96/24, DTS High Res, DTS-HD Master Audio, DSD

## 2. Package Contents

- ① 1× 1×4 HDMI 2.0 Splitter
- ② 1× 5V/1A Power Adapter
- ③ 1× User Manual
- ④ 2× Mounting Brackets

## 4. Specifications

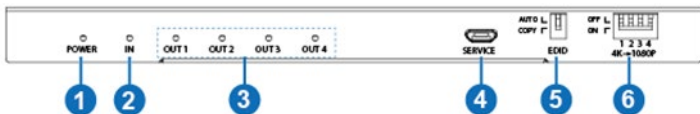
Technical	
HDMI Compliance	HDMI 2.0b
HDCP Compliance	HDCP 2.2 and HDCP 1.4
Video Bandwidth	18Gbps
Video Resolutions	720P50/60Hz, 1080P50/60Hz, 4K2K24Hz, 4K2K30Hz, 4K2K@50/60Hz (4:4:4)

Color Depth	4K60Hz 8-bit, 1080P 12-bit
Color Space	RGB, YCbCr 4:4:4, YCbCr 4:2:2
HDMI Audio Formats	LPCM, Dolby Digital/Plus/EX, Dolby True HD, DTS, DTS-EX, DTS-96/24, DTS High Res, DTS-HD Master Audio, DSD
L/R Audio Formats	PCM 2.0
Optical Audio Formats	LPCM [2.0/2.1]CH, Dolby 5.1, Dolby True HD, Dolby DD+, DTS 5.1, DTS-ES 6, DTS-HDMA 5.1, DTS HD-HRA 5.1
ESD Protection	Human-body Model: $\pm 8\text{kV}$ (Air-gap discharge) , $\pm 4\text{kV}$ (Contact discharge)
<b>Connections</b>	
Input ports	1 $\times$ HDMI Type A [19-pin female]
Output ports	4 $\times$ HDMI Type A [19-pin female] 1 $\times$ L/R Audio out [3.5mm Stereo Mini-jack] 1 $\times$ Optical out [S/PDIF]
<b>Mechanical</b>	
Housing	Metal Enclosure
Color	Black

Dimensions	7.1" (180mm) × 2.46" (62.5mm) × .55" (14mm)
Weight	227g
Power Supply	Input: AC100~240V 50/60Hz, Output: DC5V/1A  (US/EU standards, CE/FCC/UL certified)
Power Consumption	3.5W (max)
Operating Temperature	0° C ~ 40° C / 32° F ~ 104° F
Storage Temperature	-20° C ~ 60° C / -4° F ~ 140° F
Relative Humidity	20~90% RH (non-condensing)

## 5.Operation Controls and Functions

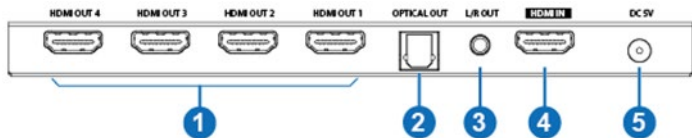
### 5.1 Front Panel



Number	Name	Function description
1	POWER LED	This blue LED will illuminate when the unit is powered.
2	HDMI INPUT LED	This blue LED will illuminate when the HDMI IN is connected to an active HDMI source device with a HDMI cable.
3	HDMI OUTPUT LED	These blue LEDs will illuminate when the HDMI OUT port has been connected to an active display device with a HDMI cable.
4	SERVICE port	Firmware update port. (Manufacturer use only.)
5	EDID	<p>AUTO: Compare OUT 1 ⇔ OUT 4 displays' EDID settings, then instruct the source to display the best resolution. All outputs will have the same resolution.</p> <p>COPY: Copies OUT 1 port EDID setting to all output ports; if no EDID is detected on HDMI OUT 1 then the unit will copy the EDID from OUT 2 and so on.</p>
6	Dial switch (4K→1080P)	<p>OFF: When the dip switch is in the OFF position, signal input and output is in bypass mode.</p> <p>ON: When the dip switch is in the ON position, signal input will downscaled (4k-&gt;1080P ) on that output.</p>

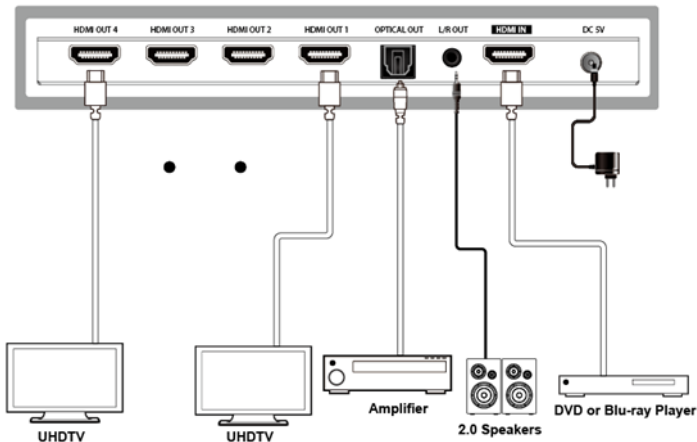


## 5.2 Rear Panel



Number	Name	Function description
1	HDMI OUTPUT	Connect to HDMI display device such as TV or monitor.
2	OPTICAL OUT	Optical audio output.
3	L/R OUT	Analog audio output.
4	HDMI IN	Connect to HDMI source device such as DVD player or PC...
5	DC 5V	Plug the 5V/1A DC power supply into the unit and connect the adapter to an AC outlet.

## 6. Application Example



### CONTACT INFORMATION

FSR INC.

244 Bergen Blvd.

Woodland Park, NJ 07424

Phone: (973) 998-2300 Order Desk Fax: (973) 785-4207

E-mail: [sales@fsrinc.com](mailto:sales@fsrinc.com)

Web: <http://www.fsrinc.com>