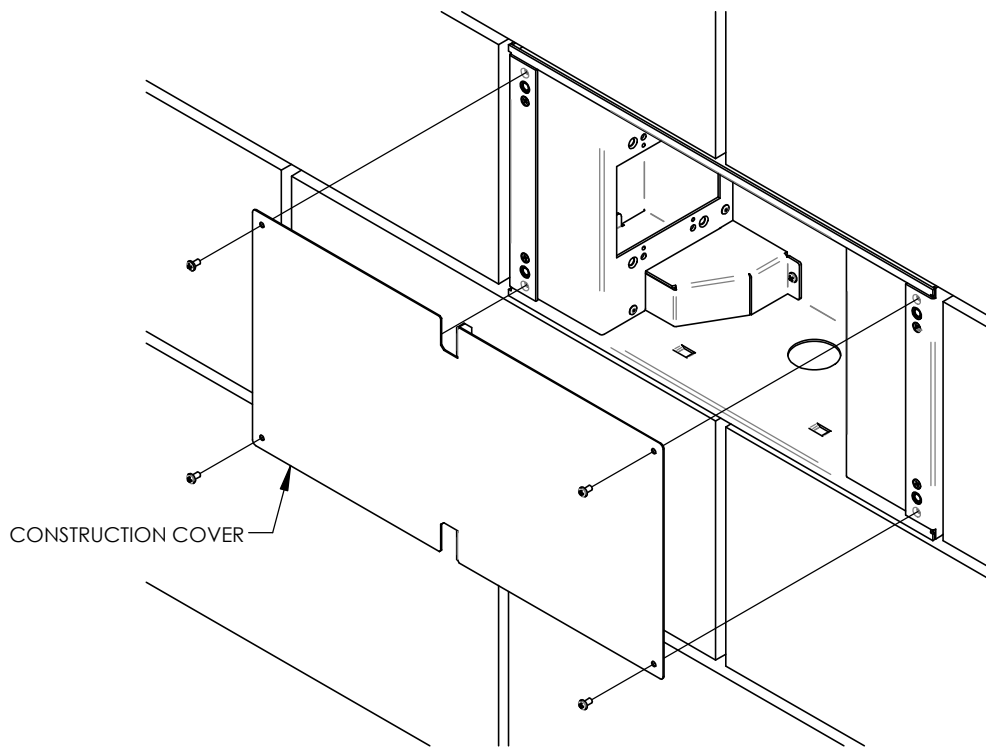


1. TO INSTALL THE FINISH COVER REMOVE AND DISCARD CONSTRUCTION COVER AND HARDWARE.



2. INSTALL HINGED COVER WITH HARDWARE PROVIDED. COVER CAN BE ROTATED 180° TO POSITION DOOR LATCH TO LEFT OR RIGHT SIDE OF DOOR.

