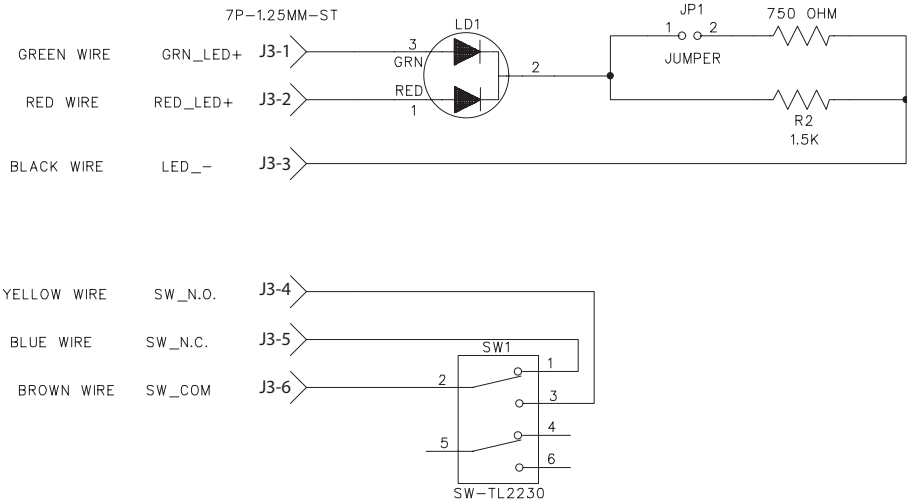


# Schematic

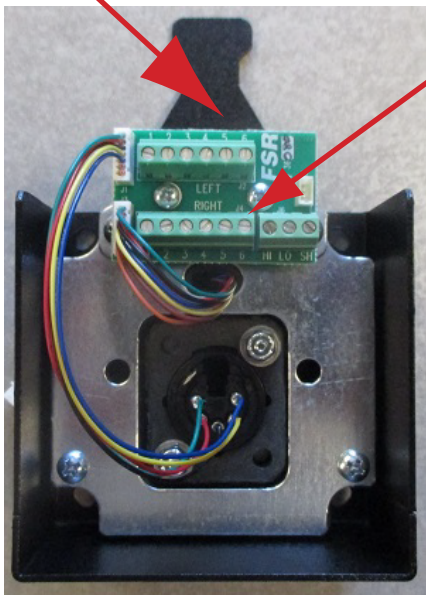
INSTALL JUMPER FOR 5 VOLT LED  
REMOVE FOR 12 VOLT LED



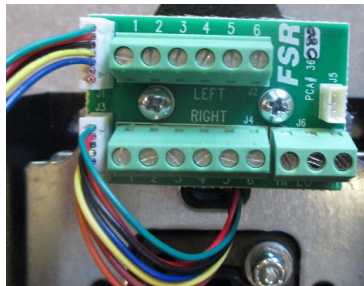
After installing the cover in the table, insert wire harness into this hole.



Use this screw terminal to wire up 5 pin XLR, XLR pin numbers correspond to screw terminal numbers on PC-board.



To Cover assembly Switch and LED. See schematic above.



# FSR

244 BERGEN BLVD.  
W. PATERSON, NJ 07424  
TEL. (973) 785-4347

## T3-MJ-1B NO MUTE 5 PIN XLR

PRODUCT:	<b>T3-MJ-1B NO MUTE</b>	PART#	<b>43982</b>
DRAWN BY:	<b>AB</b>	DATE:	<b>12-28-2011</b>
APPROVED BY:		DATE:	
DWG.#	<b>C-1162A</b>	REV.	PAGE OF

REV. LEVEL	REF. ECO	REV. DATE	APPROVED	DESCRIPTION
A		6-28-2021		