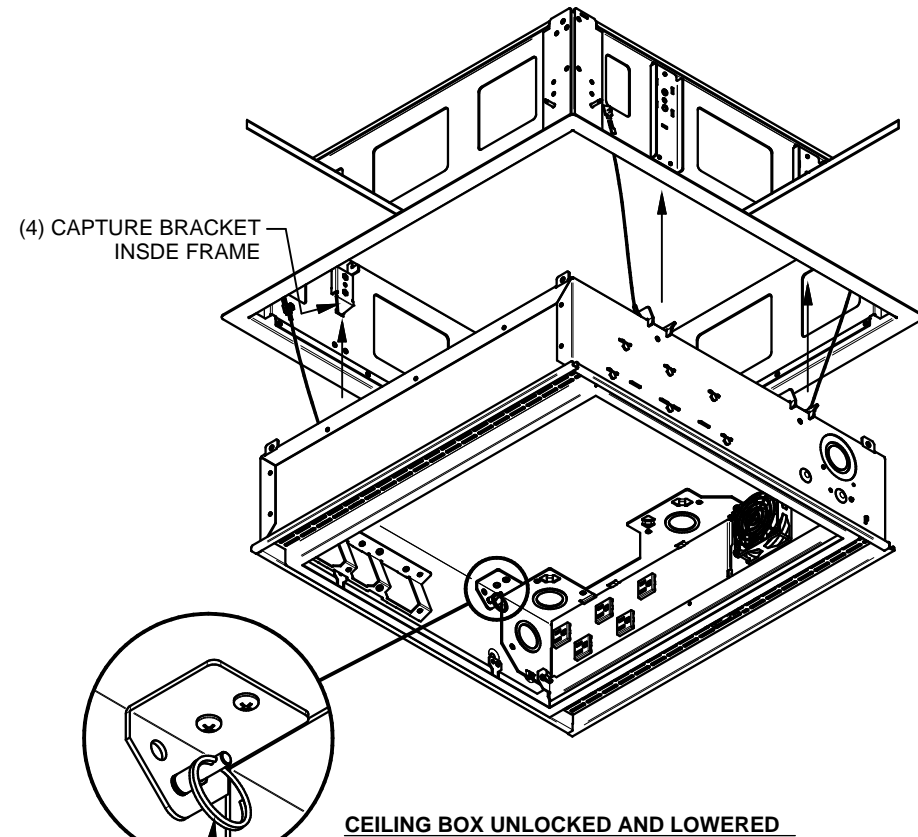
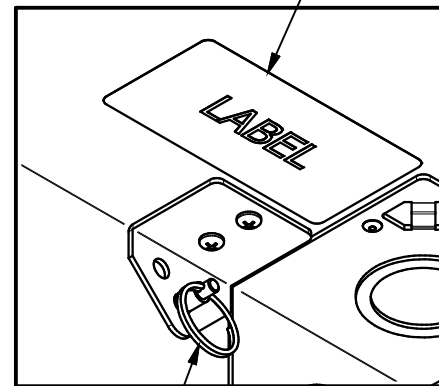
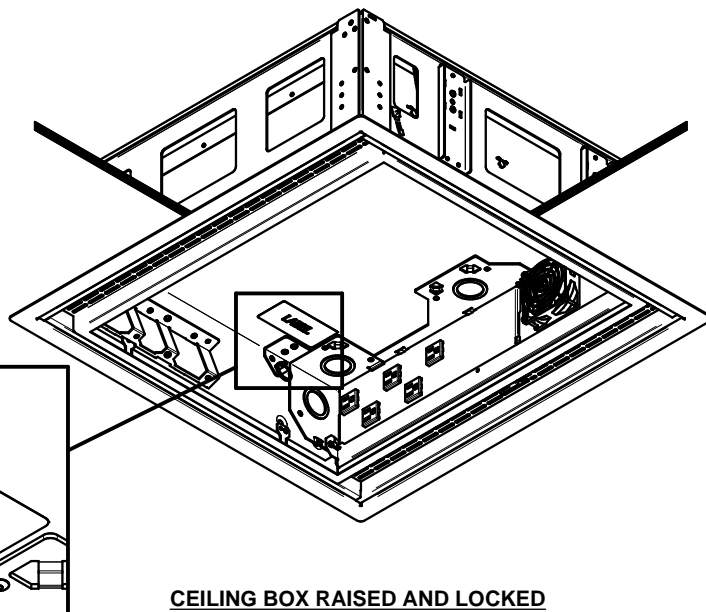


5. PRIOR TO PUSHING CEILING BOX INTO FRAME, APPLY BLUE PAINTERS TAPE (OR EQUIVALENT) TO THE FRAME'S PAINTED BORDER, TO HELP PREVENT SCRATCHING THE PAINT UPON BOX INSTALLATION. LINE UP THE BOX AND PUSH CEILING BOX UP INTO FRAME. WHEN CEILING BOX REACHES THE STOPS ON THE INSIDE OF THE FRAME, PUSH PINS INTO CAPTURE BRACKETS TO HANG BOX IN PLACE. **IMPORTANT! - INSTALL PIN LABELS, APPROXIMATELY WHERE SHOWN, ON BOTH SIDES.** REFER TO CEILING BOX INSTALLATION INSTRUCTIONS TO COMPLETE INSTALLATION. REMOVE TAPE ON COMPLETION OF INSTALLATION.



PIN (UNLOCKED POSITION)



PIN (LOCKED POSITION)

FSR CB-SR22 INSTALLATION INSTRUCTIONS

244 Bergen Boulevard, Woodland Park, NJ 07424, Phone: 973.785.4347 - Fax: 973.785.4207

1. INSTALLATION OF THE CB-SR22 CEILING FRAME REQUIRES A ROUGH-IN HOLE IN THE CEILING OF 25" SQUARE, +/- 1/16". THE HOLE'S ROUGH-IN STRUCTURE NEEDS TO BE A MINIMUM OF 1-1/2" TALL, AND MAY BE MADE OF METAL OR WOOD.

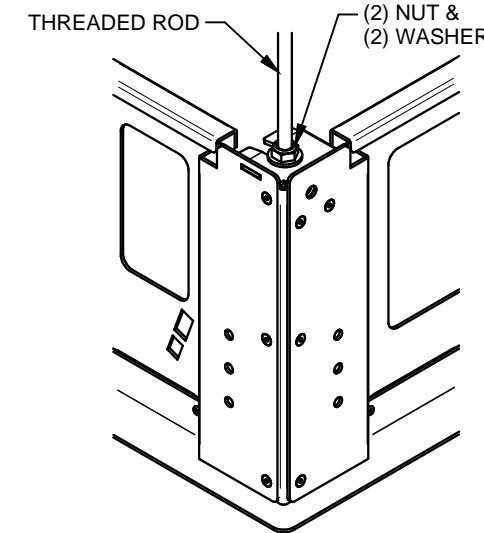
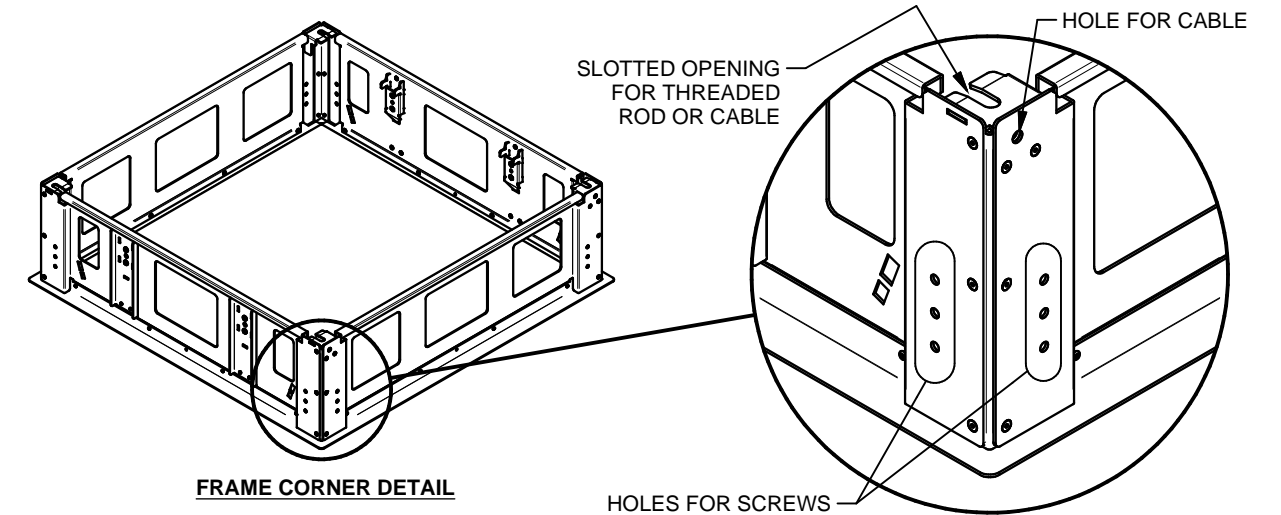
THERE ARE 3 METHODS BY WHICH THE FRAME CAN BE RETAINED IN THE CEILING:

- 1) BY FOUR STEEL THREADED RODS, ONE PER CORNER OF THE FRAME, 1/4-20 THREAD MINIMUM TO 3/8-16 THREAD MAXIMUM, CENTERED ON A SQUARE 23-1/2" APART, AND EXTENDING DOWN TO WITHIN 2" TO 6" OF THE CEILING'S IN-ROOM SURFACE.
- 2) BY STEEL HANGER CABLE, 3/32"-DIAMETER MINIMUM, AND THREADED THRU THE FRAME'S APPROPRIATE SLOTS/HOLES IN THE CORNERS OF THE UNIT.
- 3) BY SCREWS THRU THE APPROPRIATE HOLES IN THE CORNERS OF THE FRAME, INTO THE CEILING'S ROUGH-IN OPENING STRUCTURE. TWO SCREWS, MINIMUM, PER CORNER.

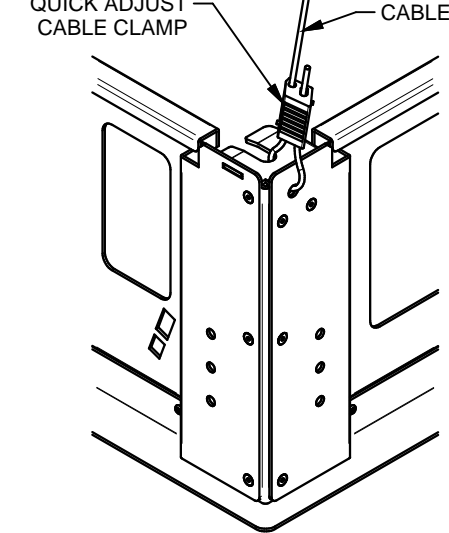
THE SELECTED MOUNTING METHOD MUST BE ABLE TO SUPPORT A MINIMUM OF 500 LBS, AND BE APPROVED FOR OVERHEAD LOADING.

THE STEPS REQUIRED TO MOUNT THE CEILING FRAME ARE:

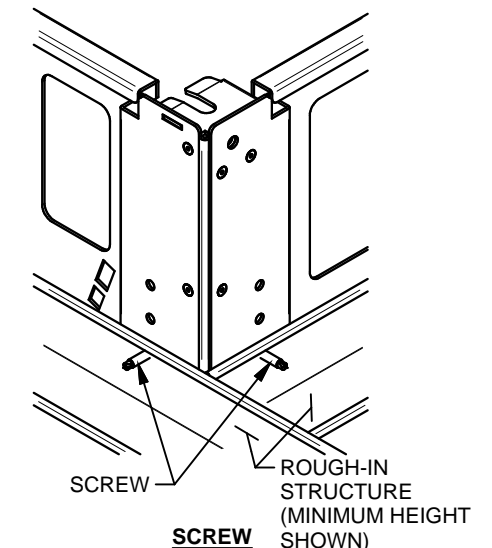
- A) DETERMINE THE MOUNTING METHOD APPROPRIATE FOR THE CEILING CONSTRUCTION.
- B) CREATE THE ROUGH-IN OPENING STRUCTURE AND INSTALL UNIT SUPPORTING HARDWARE AS NEEDED.
- C) INSTALL CEILING/DRYWALL, TRIM TO ROUGH-IN OPENING.
- D) TAPE/SPACKLE THE CEILING DRYWALL, AND PAINT IT IF THE CEILING COLOR IS TO BE DIFFERENT THAN THAT OF THE CEILING FRAME'S VISIBLE WHITE ROUGH-IN-OPENING COVER.
- E) INSTALL THE CEILING FRAME, THEN PROCEED TO INSTRUCTION STEP #2, AND COMPLETE THE UNIT INSTALLATION.



THREADED ROD

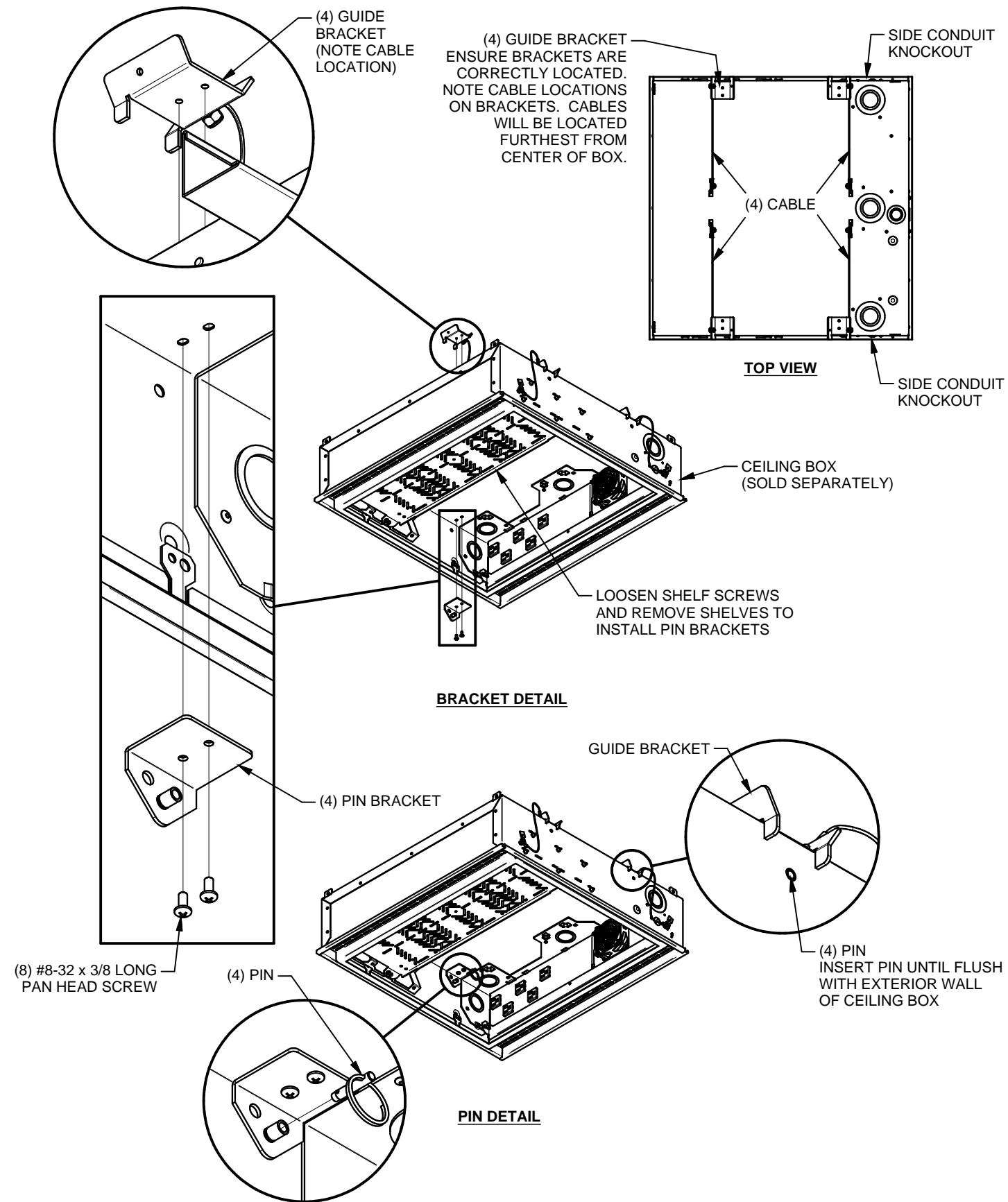


CABLE



SCREW

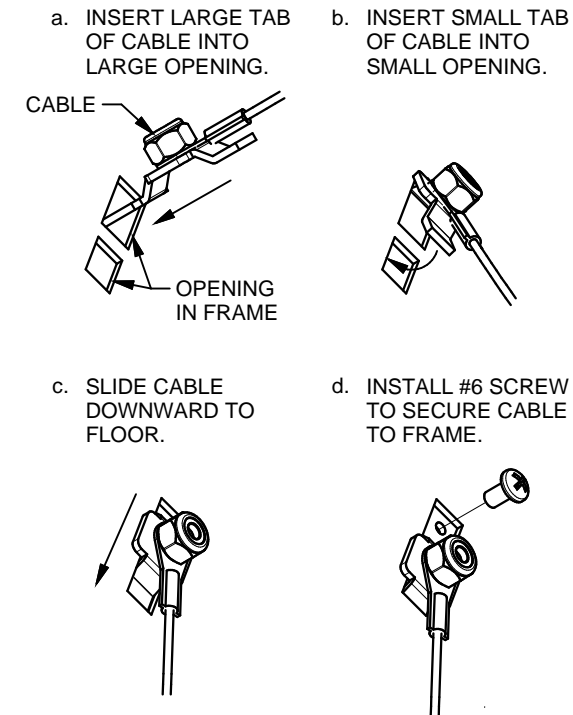
2. INSTALL BRACKETS INTO CEILING BOX (SOLD SEPARATELY). CEILING BOX SHELVES WILL HAVE TO BE REMOVED FOR INSTALLATION OF BRACKETS (SEE BRACKET DETAIL AND TOP VIEW). INSERT PINS INTO BRACKETS UNTIL FLUSH WITH CEILING BOX EXTERIOR WALL (SEE PIN DETAIL).



3. ALIGN THE CEILING BOX, WITH ITS NEW BRACKETS, WITH THE CAPTURE BRACKETS INSIDE FRAME. ATTACH 2 CABLES FROM CEILING BOX (NEAREST THE BOX'S KO'S) TO FRAME AND ROUTE WIRING INTO CEILING BOX.

NOTE: ALL ELECTRICAL WIRES MUST DRAPE OVER THE TOP EDGE OF THE CEILING BOX FRAME, NOT THRU THE SIDE OPENINGS. ONLY THE TOP-SURFACE KO'S OF THE CEILING BOX MAY BE USED FOR THE WIRING.

CABLE INSTALLATION



4. AFTER ALL WIRING IS ROUTED TO CEILING BOX, ATTACH REMAINING CABLES TO FRAME.

