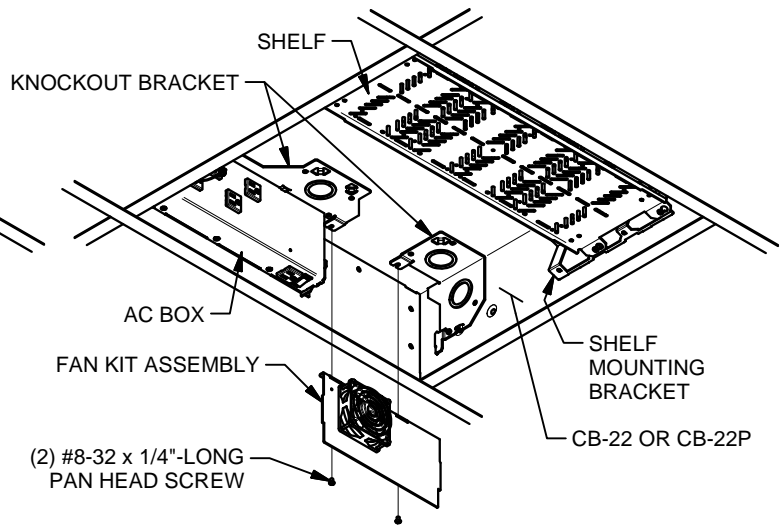
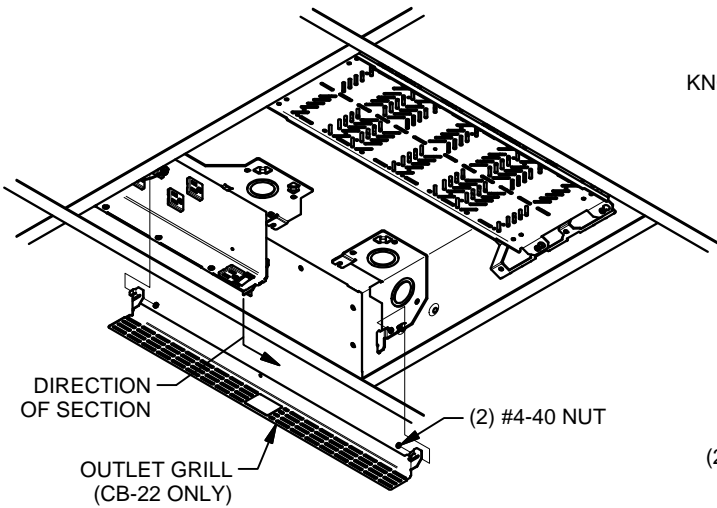
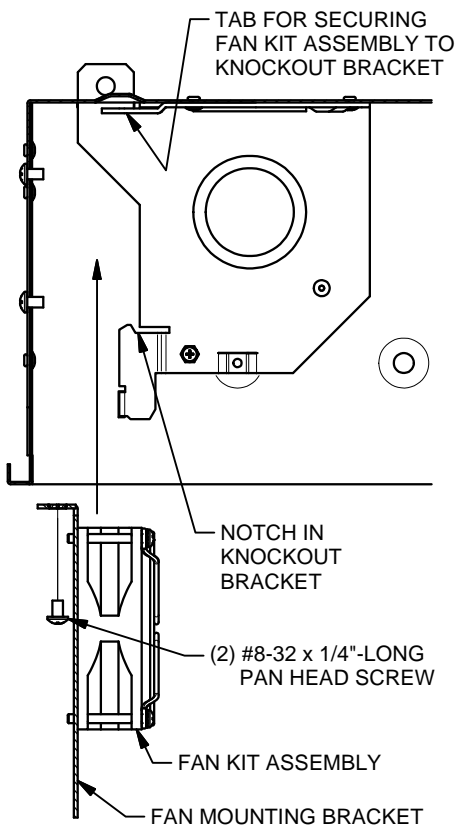


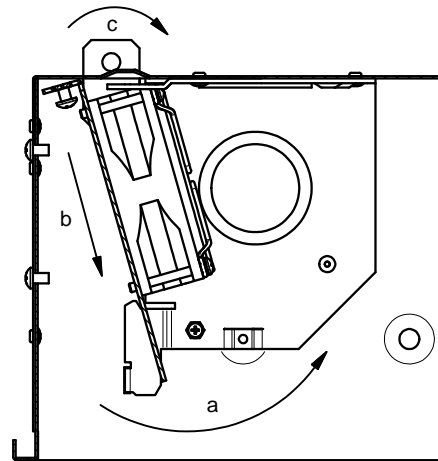
FOR MODEL CB-22 REMOVE DOOR (REFER TO INSTALLATION INSTRUCTIONS INCLUDED WITH CB-22) AND OUTLET GRILL (SEE BELOW). FOR MODEL CB-22P REMOVE DOOR AND POLE MOUNT ASSEMBLY (REFER TO INSTALLATION INSTRUCTIONS INCLUDED WITH CB-22P). INSTALL FAN KIT ASSEMBLY AS SHOWN. PLUG FAN POWER SUPPLY INTO MOST APPROPRIATE AC SOCKET. RE-ASSEMBLE CEILING BOX.



1. INSTALL (2) #8-32 x 1/4"-LONG PAN HEAD SCREW INTO FAN MOUNTING BRACKET (**2 TURNS ONLY**). PUSH FAN KIT ASSEMBLY TO TOP SURFACE OF CEILING BOX.



2. (a) ROTATE FAN KIT ASSEMBLY AS SHOWN. (b) SLIDE PLATE DOWN INTO NOTCH OF KNOCKOUT BRACKET. (c) ROTATE ASSEMBLY AS SHOWN SO TABS OF THE KNOCKOUT BRACKETS SLIP THROUGH THE OPENINGS ON THE FAN MOUNTING PLATE.



3. SECURE FAN KIT ASSEMBLY TO KNOCKOUT BRACKET WITH (2) #8-32 x 1/4"-LONG PAN HEAD SCREW.

