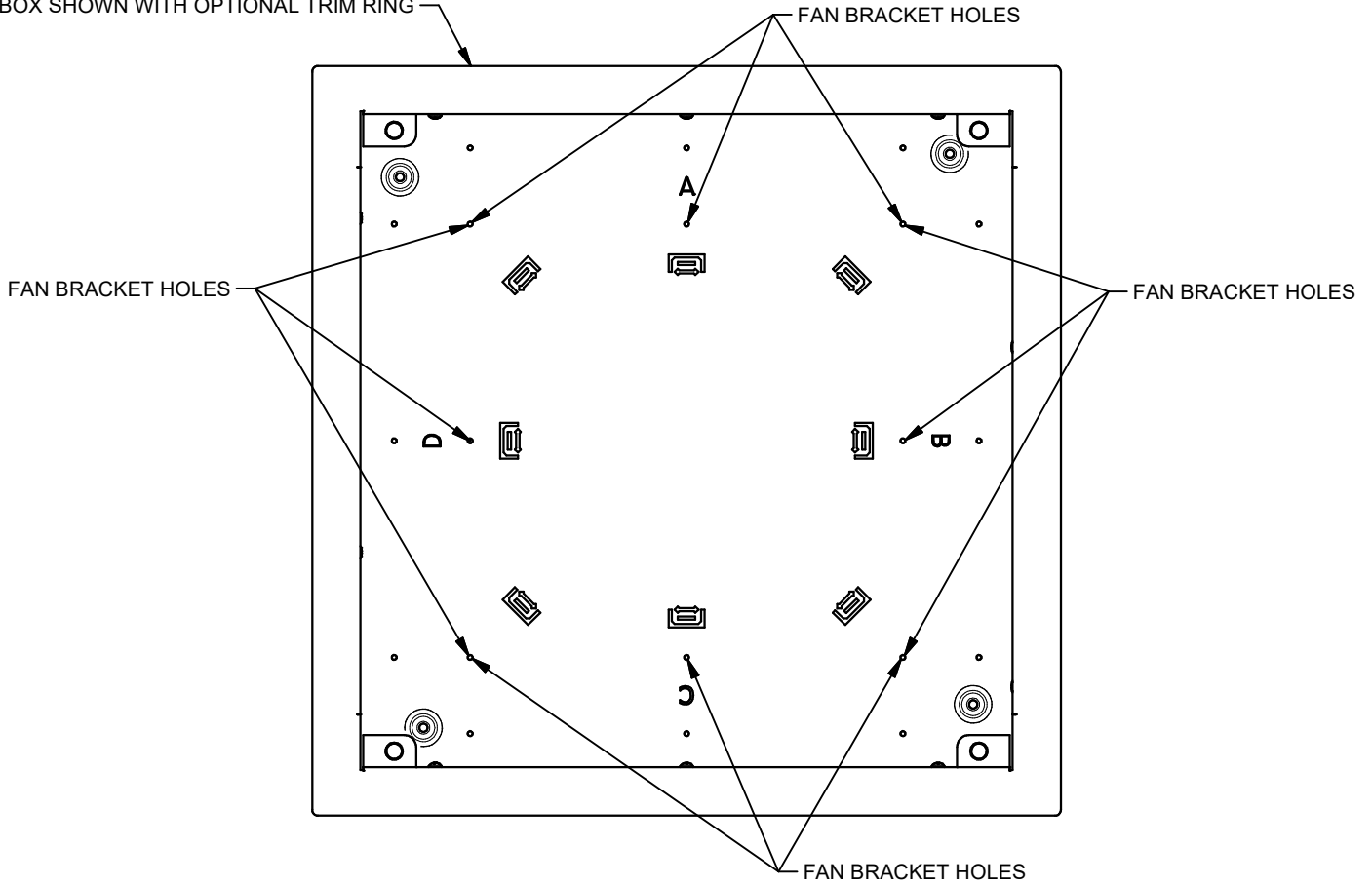


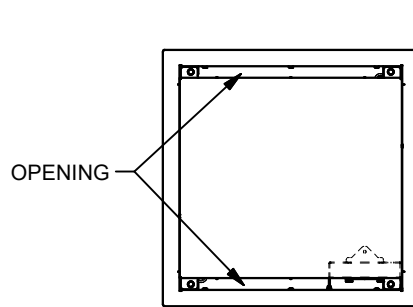
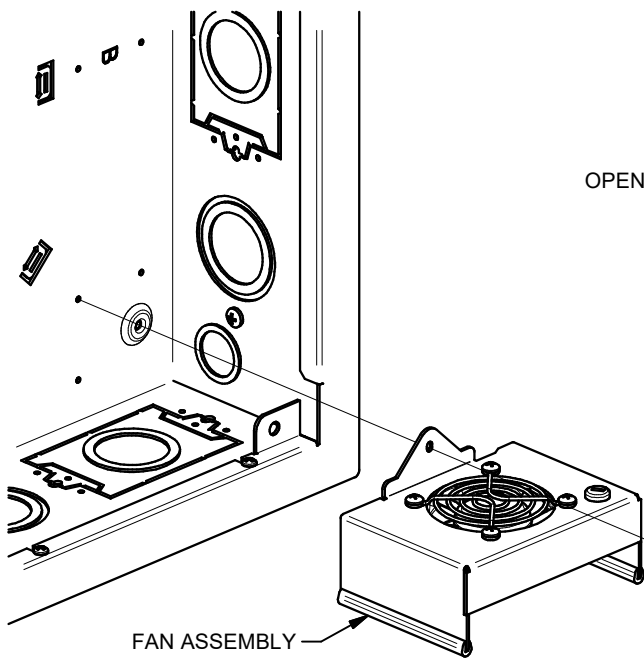
1. FAN CAN BE MOUNTED HORIZONTALLY AND VERTICALLY.

BOX SHOWN WITH OPTIONAL TRIM RING

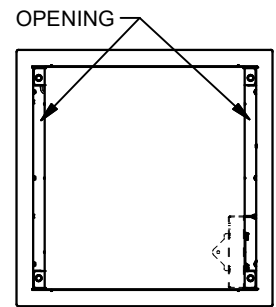


2. DETERMINE LOCATION INSIDE BOX AND INSTALL FAN ASSEMBLY. PLUG FAN POWER SUPPLY INTO MOST APPROPRIATE AC SOCKET AND MAKE WIRING CONNECTIONS AS REQUIRED.

NOTE: TRIM RING/COVER ASSEMBLY MUST BE ORIENTED APPROPRIATELY SO THAT COVER OPENINGS ALIGN WITH FAN OUTLET.



TOP AND BOTTOM MOUNTING



LEFT AND RIGHT MOUNTING

TEMPERATURE REGULATED FAN RUNS AT MINIMUM SPEED UP TO 30 C, INCREASING LINEARLY TO FULL SPEED AT 40 C. FOR BEST PERFORMANCE, USE UPPER MOUNTING LOCATIONS TO AID NATURAL CONVECTION AIRFLOW.