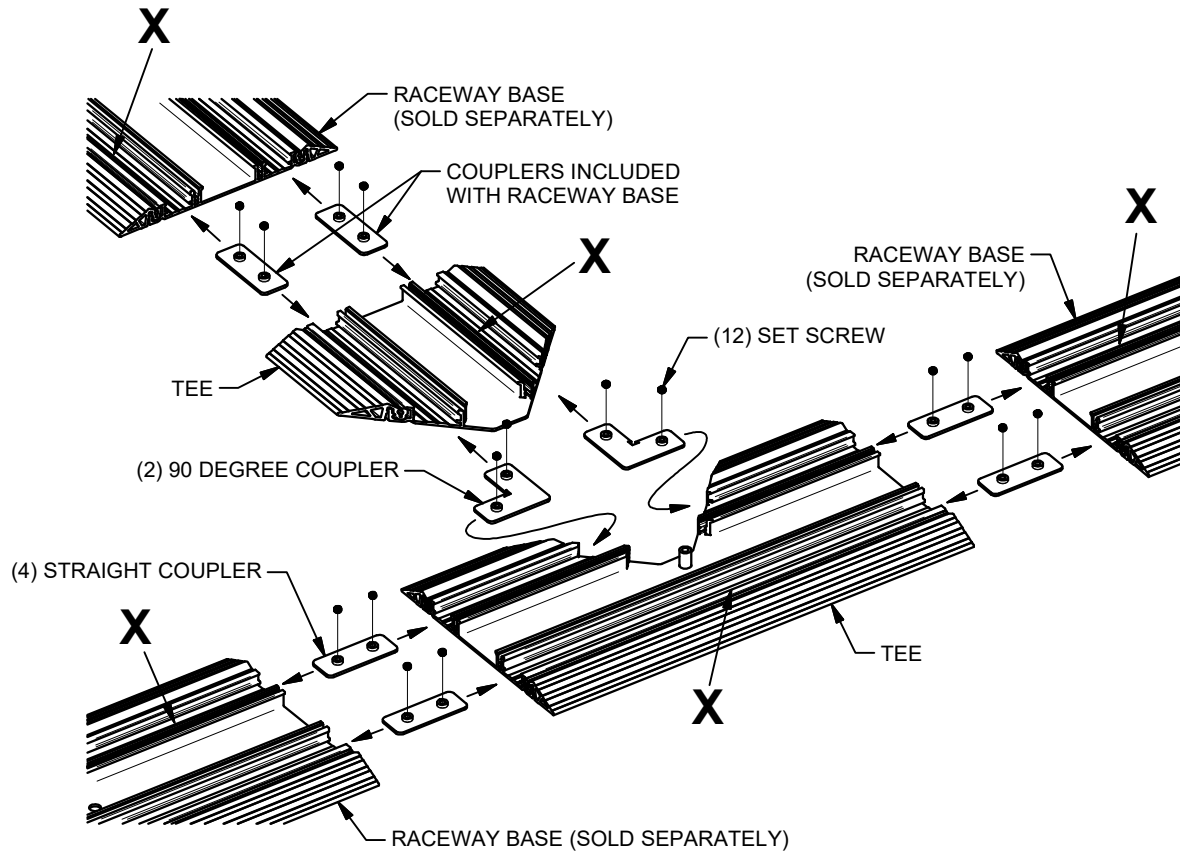
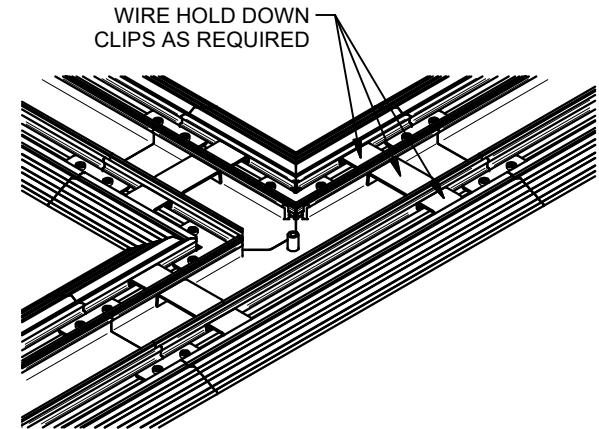


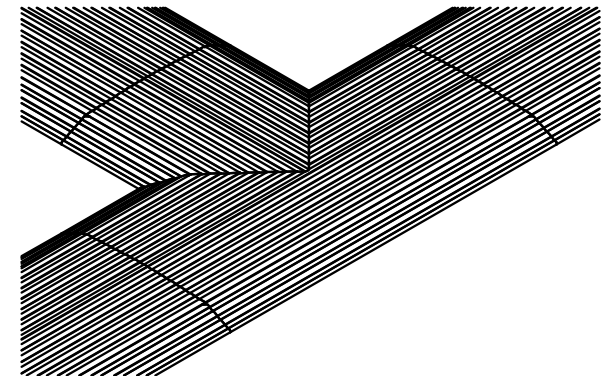
1. INSTALL SET SCREWS INTO STRAIGHT AND 90 DEGREE COUPLERS.
2. DETERMINE TEE DIRECTION, INSERT STRAIGHT AND 90 DEGREE COUPLERS AS REQUIRED, AND SLIDE TEE BASE PIECES TOGETHER.
3. TIGHTEN SET SCREWS TO FASTEN TEE BASE PIECES TOGETHER. SLIDE STRAIGHT COUPLERS INTO ENDS OF TEE OR RACEWAY BASE, CENTERED ON THE JOINT BETWEEN THEM, AND TIGHTEN THE SET SCREWS TO SECURE THE TEE AND RACEWAY BASE PIECES TOGETHER.
4. INSTALL PLASTIC RACEWAY BASE EDGE PIECES INTO THE APPROPRIATE LOCATIONS ON THE TEE ASSEMBLY AND RACEWAY BASE.
5. PLACE WIRING AS DESIRED (SEE BACK), SECURE IN PLACE WITH SUPPLIED WIRING HOLD-DOWNS.
6. SNAP COVER SECTIONS INTO PLACE TO COMPLETE ASSEMBLY USING RUBBER Mallet OR OTHER WIDE SOFT TOOL. USE CAUTION TO AVOID DAMAGE TO COVER SURFACE.



X = MINIMUM REQUIRED SCREW LOCATIONS FOR HARD FLOOR SURFACE USE. ADDITIONAL SCREWS TO MAINTAIN RACEWAY BASE CONFORMANCE TO SOFT OR IRREGULAR SURFACES.



ASSEMBLED VIEW WITH RACEWAY BASE SECTIONS

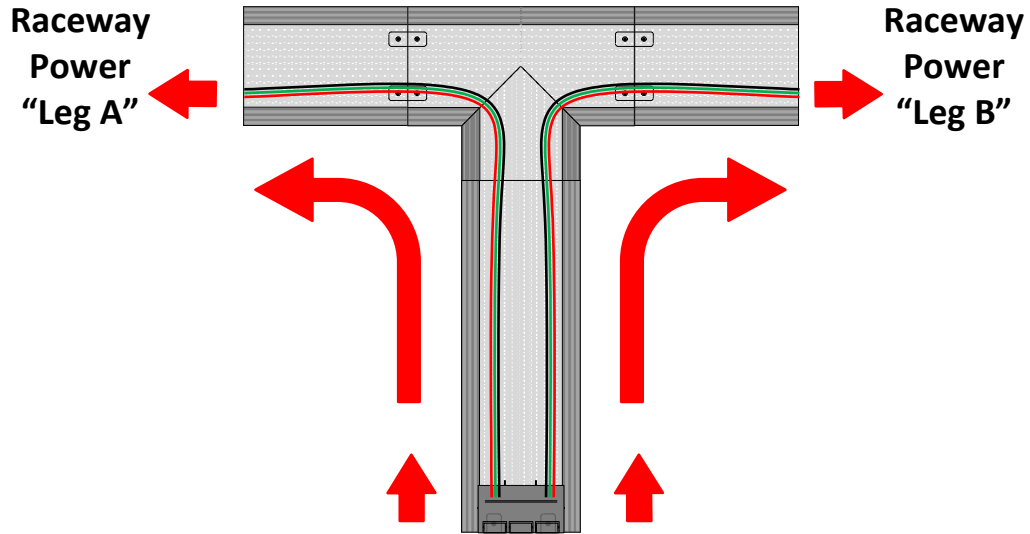


ASSEMBLED VIEW WITH COVER SECTIONS IN PLACE

Classification; CTS/DTS 3.102 Flushfloor, 3.103 Onfloor, 6.101.1 Dry-Treatment Only, 6.2.7 20J Impact, 6.102.7 3,000N Small Surface Load, 6.103.5 15,000N Large Surface Load, 6.4.1 Non-Flame Propagating IP41; Min Storage Temp -25°C; Installation and Application Temp -15°C to 60°C; 0.001 Ω/m

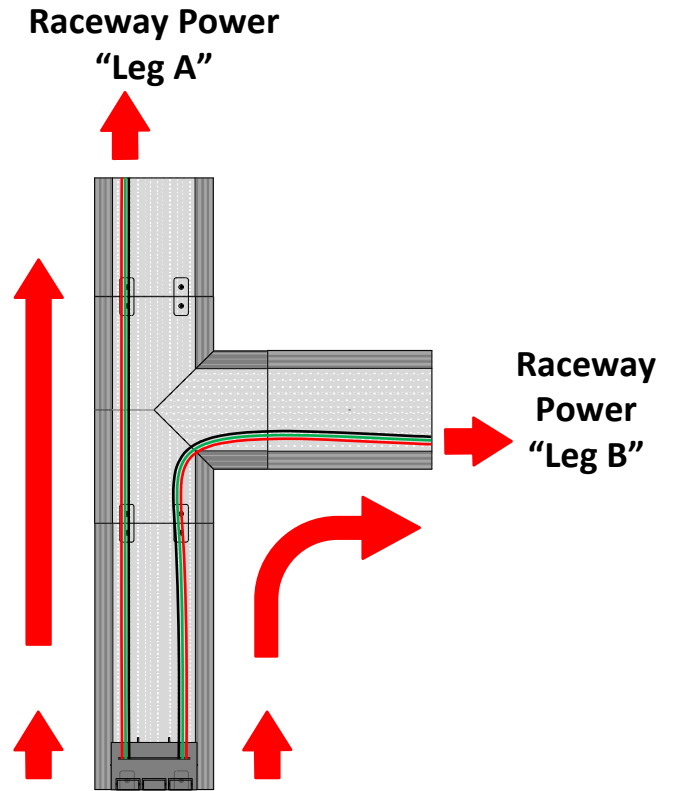
# Typical Applications

## 90° Opposing Turns



Wall In-Feed  
Fitting

## Straight + 90° Turn



Wall In-Feed  
Fitting