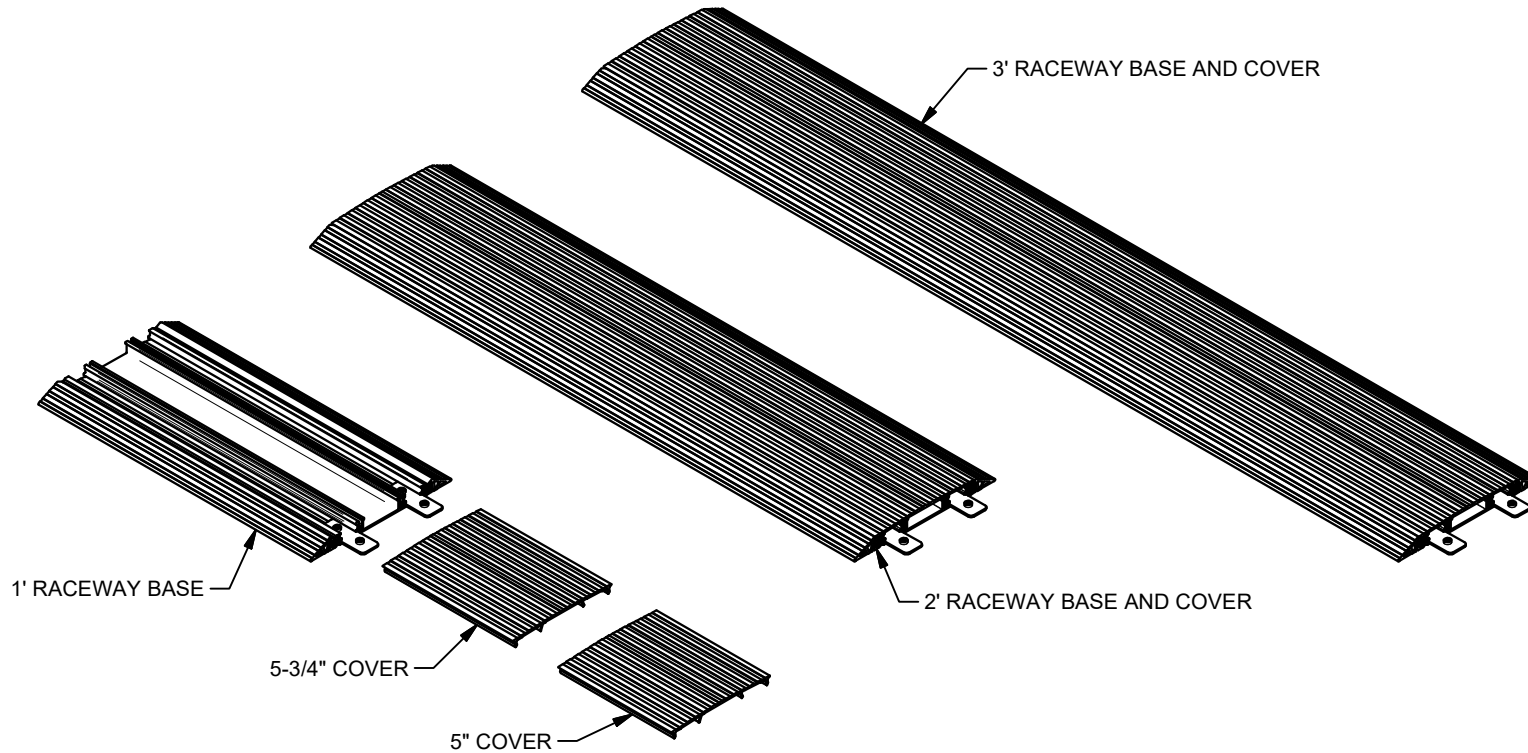




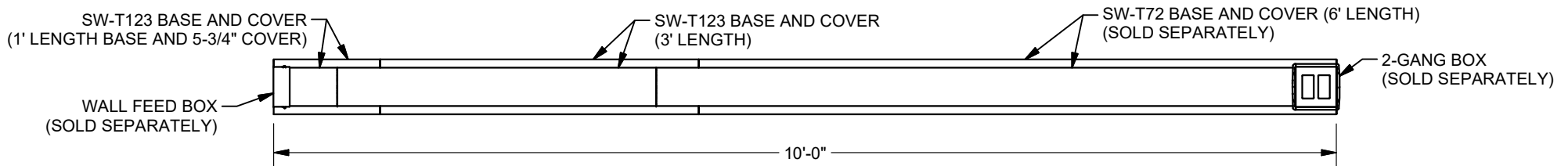
## SW-T123 SMARTWAY INSTALLATION INSTRUCTIONS

244 Bergen Boulevard, Woodland Park, NJ 07424, Phone: 973.785.4347 - Fax: 973.785.4207

USE 1', 2' AND 3' LENGTHS TO EXTEND RUNS OF RACEWAY AS REQUIRED. 1' LENGTH RACEWAY INCLUDES 5" & 5-3/4" LENGTH COVERS TO ACCOMMODATE A WALL FEED BOX (SOLD SEPARATELY) AND 2-GANG RACEWAY ELECTRICAL BOX (SOLD SEPARATELY) MOUNTED ON RACEWAY. DUE TO VARIOUS POSSIBLE RACEWAY RUN LENGTHS AND DEVICE BOXES, CUTTING OF COVERS MAY STILL BE REQUIRED.



EXAMPLE OF 6' LENGTH EXTENDED TO 10' LENGTH (TOP VIEW):



Classification; CTS/DTS 3.102 Flushfloor, 3.103 Onfloor, 6.101.1 Dry-Treatment Only, 6.2.7 20J Impact, 6.102.7 3,000N Small Surface Load, 6.103.5 15,000N Large Surface Load, 6.4.1 Non-Flame Propagating IP41; Min Storage Temp -25°C; Installation and Application Temp -15°C to 60°C; 0.001 Ω/m