

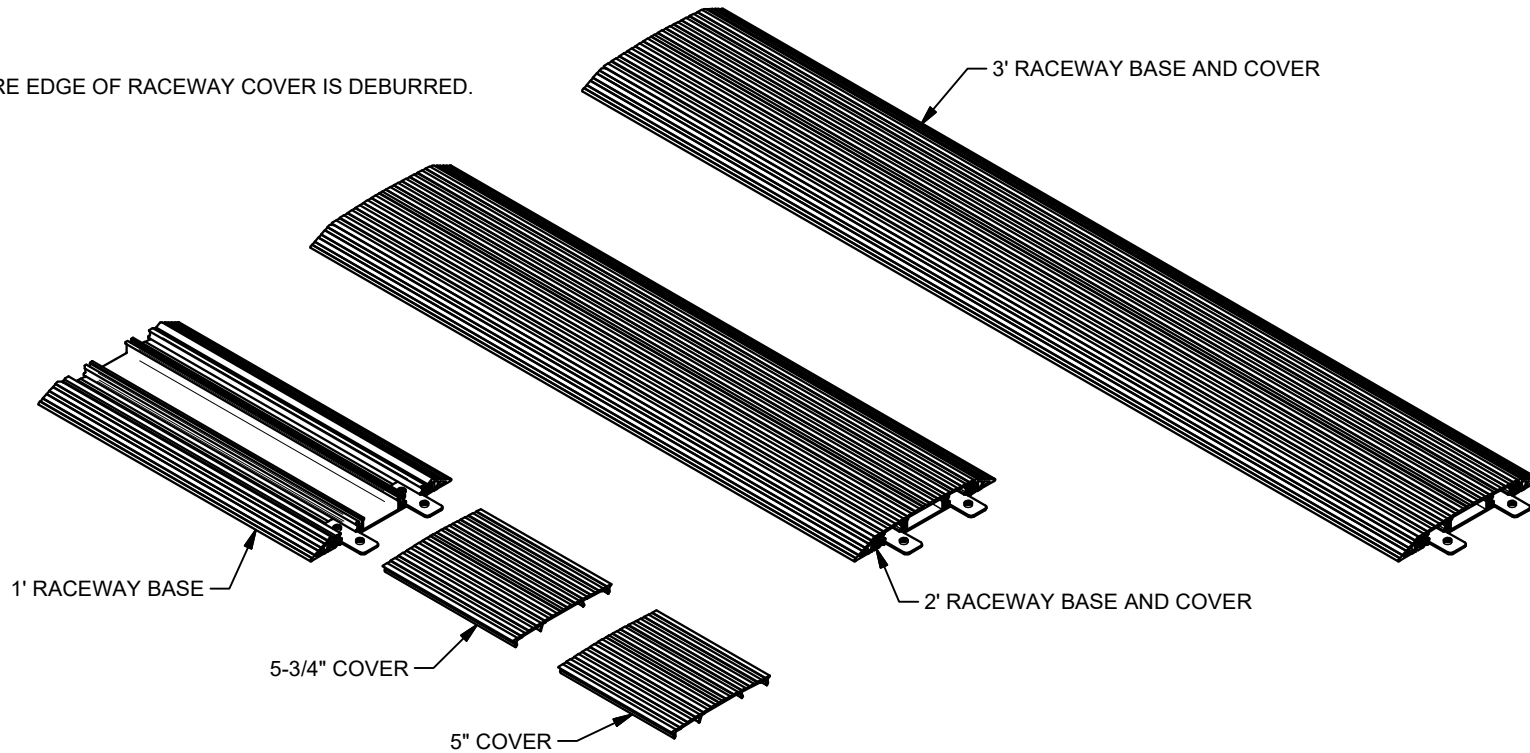


SW-T123 SMARTWAY INSTALLATION INSTRUCTIONS

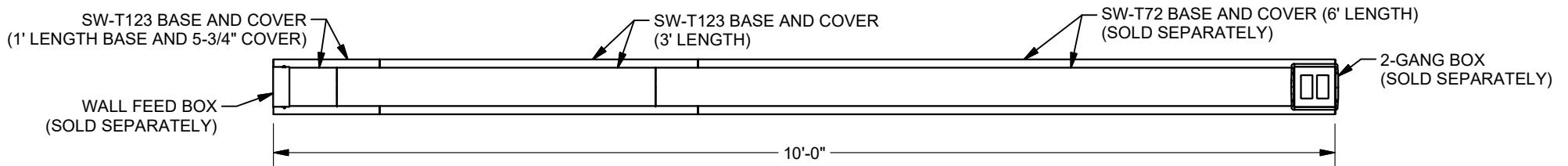
244 Bergen Boulevard, Woodland Park, NJ 07424, Phone: 973.785.4347 - Fax: 973.785.4207

USE 1', 2' AND 3' LENGTHS TO EXTEND RUNS OF RACEWAY AS REQUIRED. 1' LENGTH RACEWAY INCLUDES 5" & 5-3/4" LENGTH COVERS TO ACCOMMODATE A WALL FEED BOX (SOLD SEPARATELY) AND 2-GANG RACEWAY ELECTRICAL BOX (SOLD SEPARATELY) MOUNTED ON RACEWAY. DUE TO VARIOUS POSSIBLE RACEWAY RUN LENGTHS AND DEVICE BOXES, CUTTING OF COVERS MAY STILL BE REQUIRED.

CAUTION: ENSURE EDGE OF RACEWAY COVER IS DEBURRED.



EXAMPLE OF 6' LENGTH EXTENDED TO 10' LENGTH (TOP VIEW):



Classification; CTS/DTS 3.102 Flushfloor, 3.103 Onfloor, 6.101.1 Dry-Treatment Only, 6.2.7 20J Impact, 6.102.7 3,000N Small Surface Load, 6.103.5 15,000N Large Surface Load, 6.4.1 Non-Flame Propagating IP41; Min Storage Temp -25°C; Installation and Application Temp -15°C to 60°C; 0.001 Ω/m