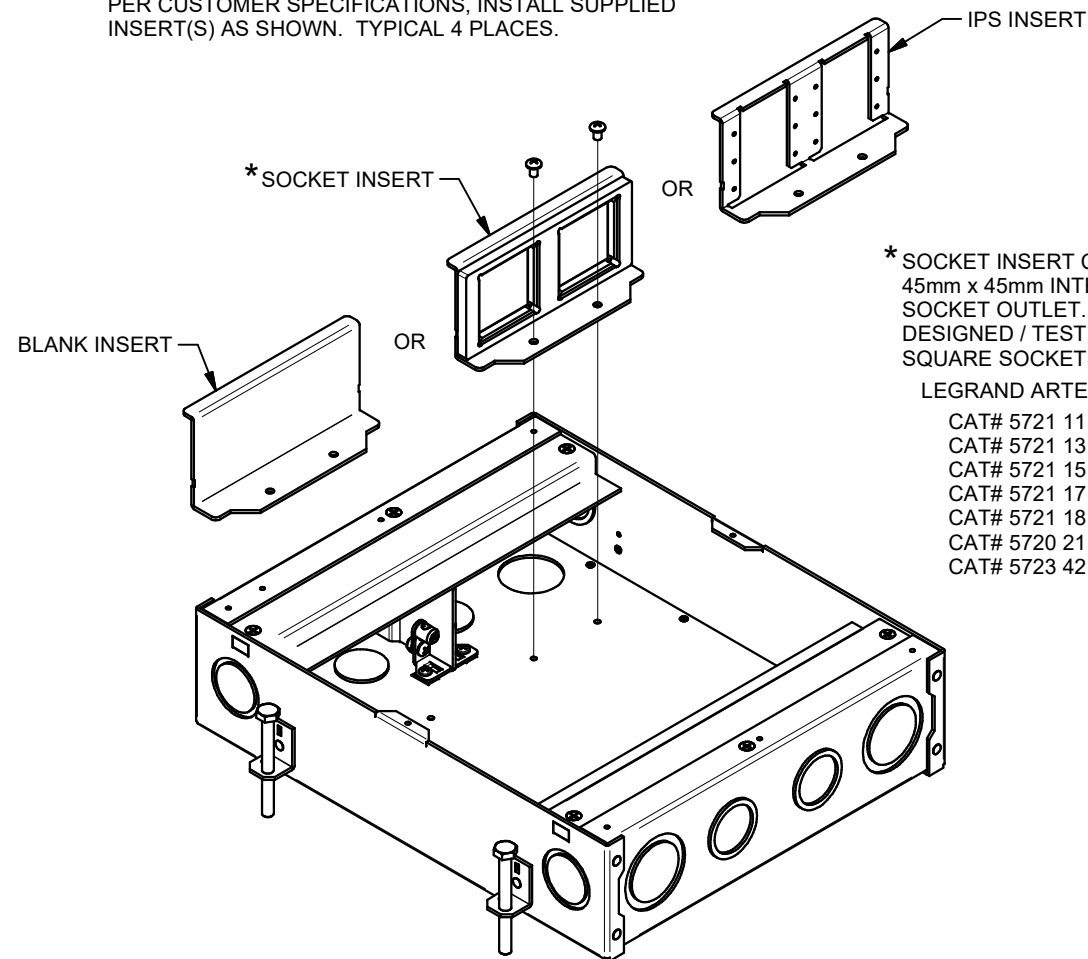


INSERT INSTALLATION

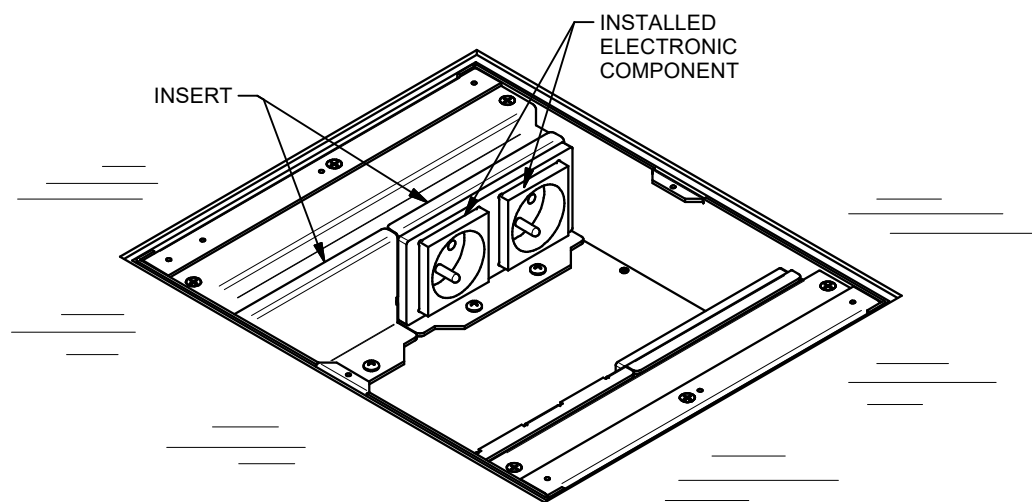
PER CUSTOMER SPECIFICATIONS, INSTALL SUPPLIED INSERT(S) AS SHOWN. TYPICAL 4 PLACES.



* SOCKET INSERT CAN ACCOMMODATE 1 OR 2 45mm x 45mm INTERNATIONAL STANDARD SOCKET OUTLET. INSERT HAS BEEN DESIGNED / TESTED WITH THE FOLLOWING SQUARE SOCKETS:
LEGRAND ARTEOR 45mm SQ. OUTLETS:
CAT# 5721 11 BRITISH STANDARD
CAT# 5721 13 CHINA STANDARD
CAT# 5721 15 SWITZERLAND STANDARD
CAT# 5721 17 AMERICAN STANDARD
CAT# 5721 18 GERMAN SCHUKO STANDARD
CAT# 5720 21 FRENCH SCHUKO STANDARD
CAT# 5723 42 45mm BLANK

INSTALLING ELECTRONIC COMPONENTS

PULL WIRES AND CABLES TO BOX AS NECESSARY (REMOVAL OF INSERTS MAY BE REQUIRED). INSTALL ELECTRONIC COMPONENTS ONTO GANG MOUNTING BRACKETS, AND TERMINATE WIRES AND CABLES TO ELECTRONIC COMPONENTS. REINSTALL TEMPORARY COVER IF FINISHED COVER IS TO BE INSTALLED AT A LATER DATE.

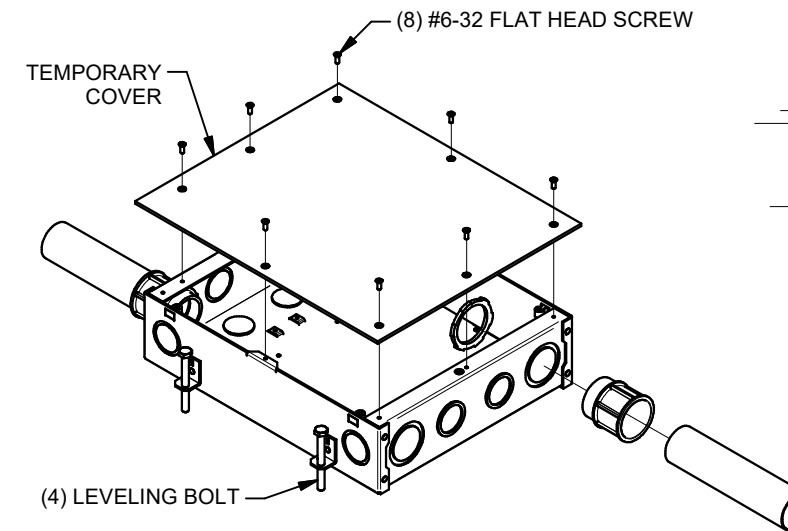


FSR FL-500P-80MM INSTALLATION INSTRUCTIONS

244 Bergen Boulevard, Woodland Park, NJ 07424, USA, Phone: 973.785.4347 - Fax: 973.785.4207

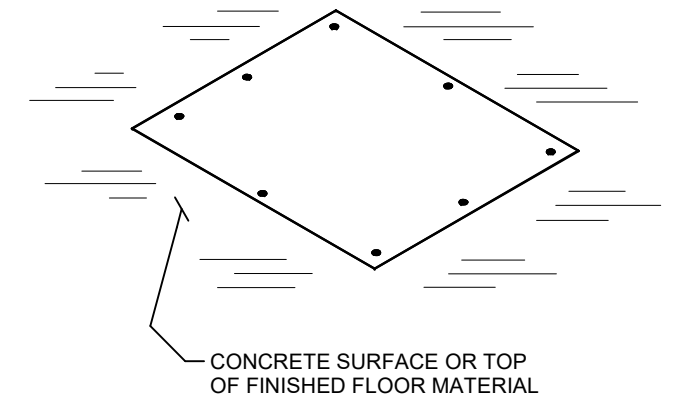
BOX INSTALLATION - STEP 1

LOCATE AND POSITION BOX IN ACCORDANCE WITH FLOOR PLANS. TOP SURFACE OF TEMPORARY COVER MUST BE SET TO MATCH THE HEIGHT OF THE FINISHED FLOOR - i.e. STONE, WOOD OR CONCRETE - SEE TYPICAL INSTALLATION HEIGHTS. LEVEL AND ANCHOR BOX AS REQUIRED. USE SCREWS, NAILS, OR WIRE TO PREVENT BOX FROM FLOATING DURING POUR. REMOVE AND RETAIN TEMPORARY COVER AND SCREWS. ROUTE CONDUITS TO BOX AS REQUIRED - SEE 'WIRING COVER DETAIL' FOR CONDUIT END FITTING ACCESS. **INSERT SCREWS AND GROUNDING BRACKET SCREWS MUST BE IN PLACE AND BOTTOMED TO ENSURE SCREW VOIDS AFTER POUR.** PLACE THIS INSTALLATION GUIDE BACK INTO BOX, ALONG WITH ALL SUPPLIED ITEMS, AND REINSTALL TEMPORARY COVER.



BOX INSTALLATION - STEP 2

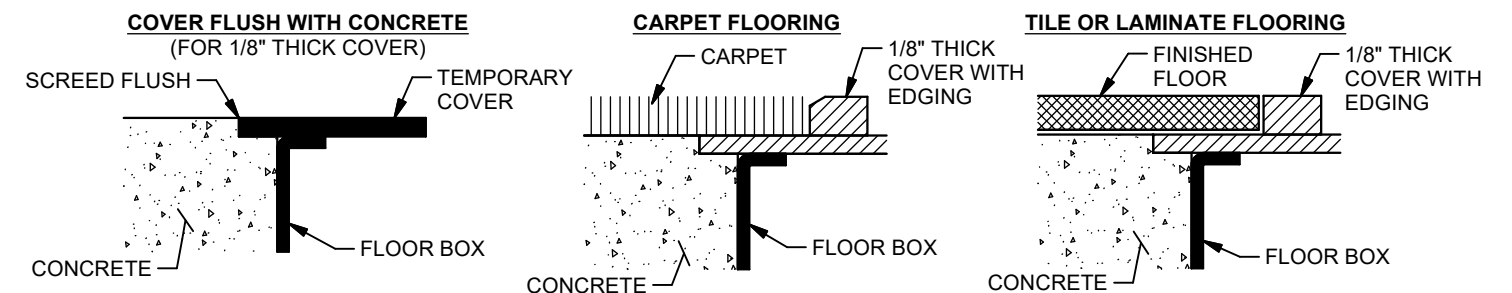
SCREED TO TOP OF BOX SURFACE FOR 3/16" THICK CARPET/FLOORING OR SPECIFIC HEIGHT TO ALLOW FOR THICKER FINISHED FLOOR MATERIAL. HAND TROWELING RECOMMENDED NEAR BOX EDGES. BOX HAS NO HEIGHT ADJUSTMENT AFTER CONCRETE POUR.



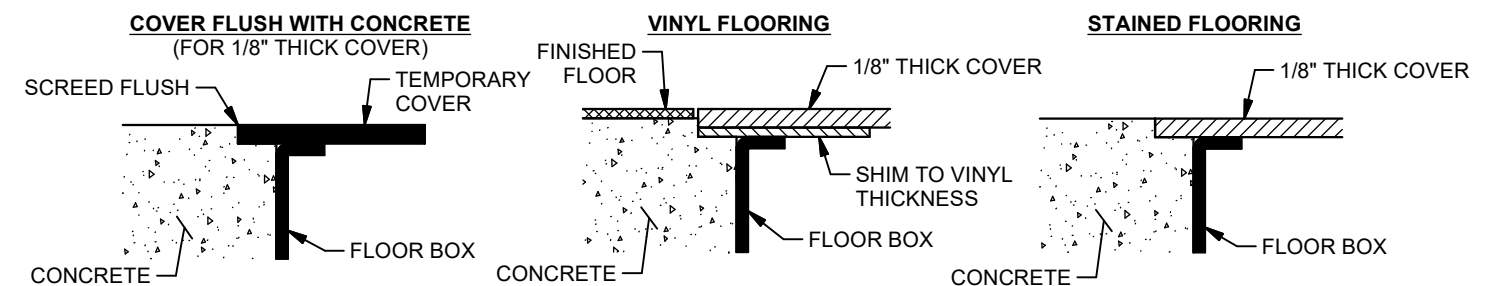
TYPICAL INSTALLATION HEIGHTS

FLOOR BOX TEMPORARY COVER WILL EITHER BE INSTALLED DIRECTLY ON THE BOX OR SHIMMED BASED ON THE COVER AND FLOORING SPECIFICATIONS. SHIM KITS SOLD SEPARATELY (FL-500P-CSK). THE TEMPORARY COVER MAY NOT BE FLUSH WITH THE FINISH FLOOR IN ALL INSTALLATIONS.

Carpeted or Tile Floors, Cover types - BLP, BSQ, B, SLP, SSQ, S



Vinyl or Stained Concrete, Cover types - BK, SS, BRS

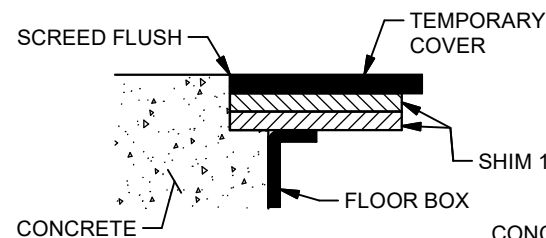


TYPICAL INSTALLATION HEIGHTS

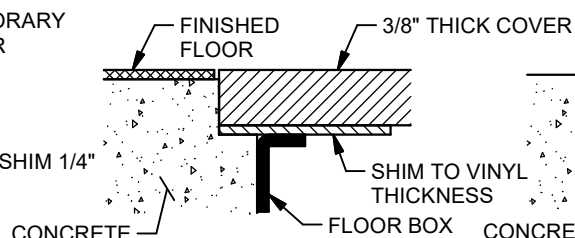
FLOOR BOX TEMPORARY COVER WILL EITHER BE INSTALLED DIRECTLY ON THE BOX OR SHIMMED BASED ON THE COVER AND FLOORING SPECIFICATIONS. SHIM KITS SOLD SEPARATELY (FL-500P-CSK). THE TEMPORARY COVER MAY NOT BE FLUSH WITH THE FINISH FLOOR IN ALL INSTALLATIONS.

Vinyl or Stained Concrete, Cover types - SLD-ALM, SLD-Color

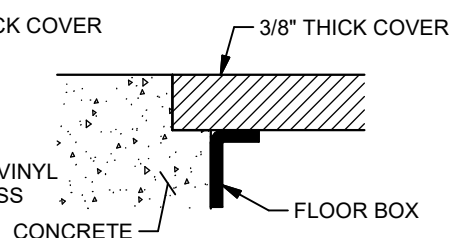
COVER FLUSH WITH CONCRETE
(FOR 3/8" THICK COVER)



VINYL FLOORING

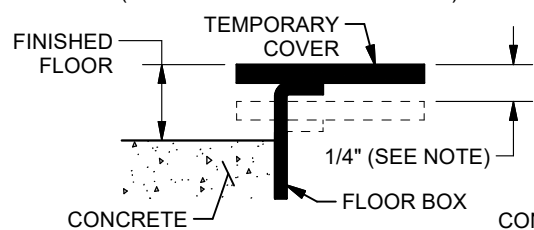


STAINED FLOORING



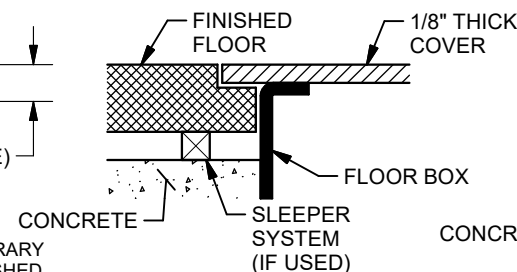
Wood / Floating Wood, Cover types - BK, SS, BRS (1/8"), SLD-ALM, SLD-Color (3/8")

COVER ABOVE CONCRETE
(FOR COVER WITHOUT EDGING)

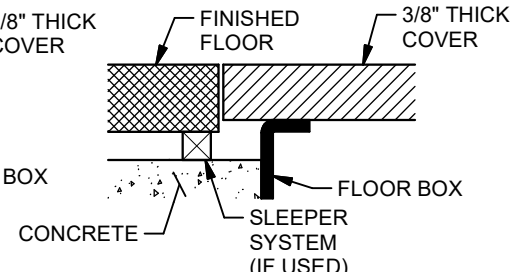


NOTE: FOR 3/8" THICK COVER LOWER TEMPORARY COVER AN ADDITIONAL 1/4" FROM FINISHED FLOOR DIMENSION OR USE SHIM KIT

WOOD FLOORING

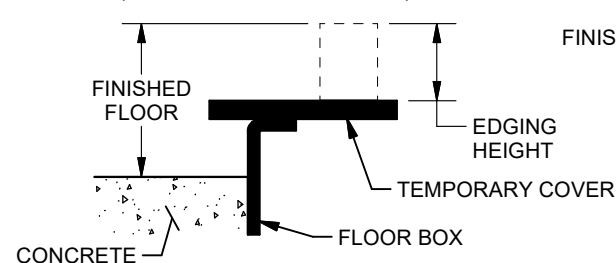


WOOD FLOORING

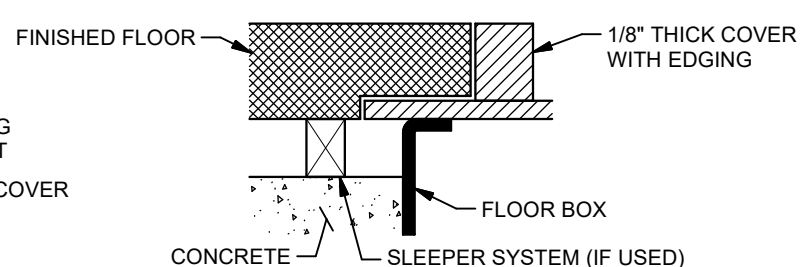


Wood / Floating Wood, Cover types - BLP, BSQ, B, SLP, SSQ, S

COVER ABOVE CONCRETE
(FOR COVER WITH EDGING)

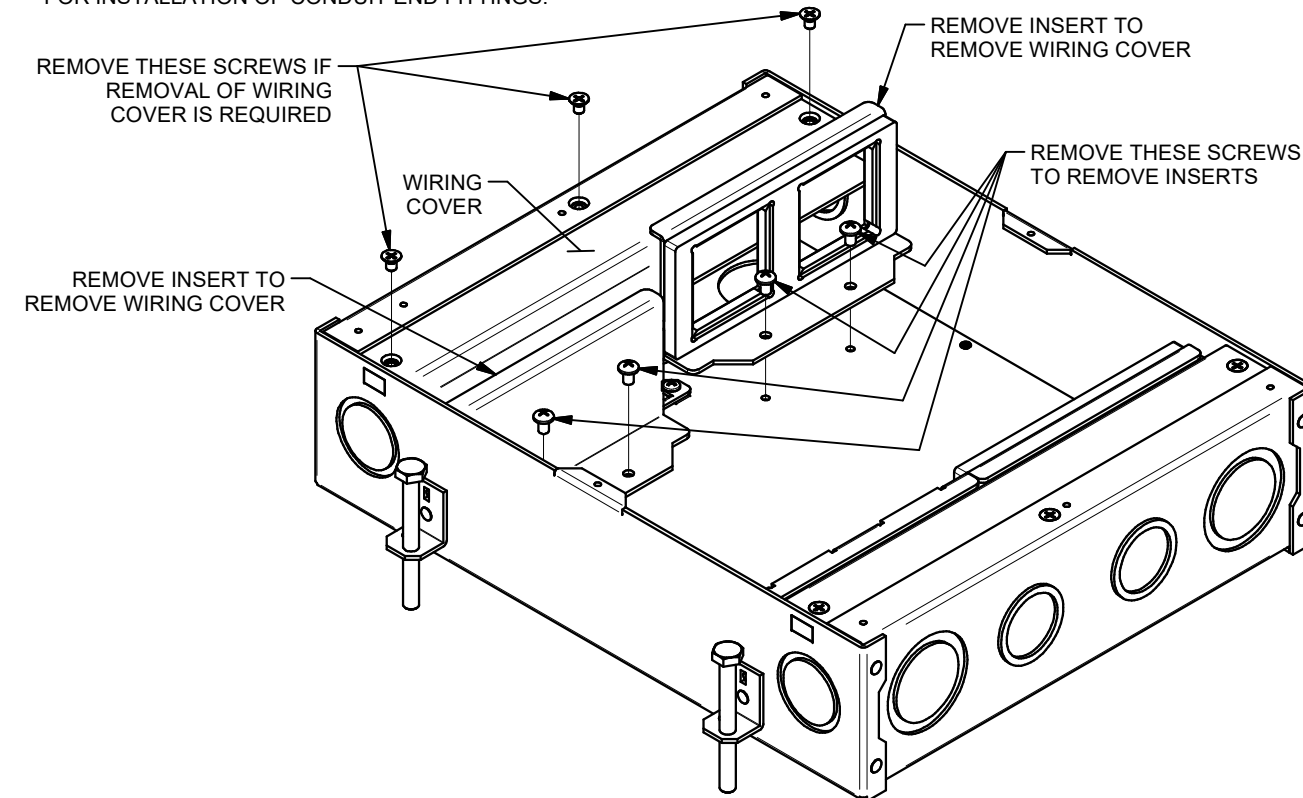


WOOD FLOORING



WIRING COVER DETAIL

WIRING COVER MAY BE REMOVED FOR EASIER ACCESS TO KNOCKOUTS FOR INSTALLATION OF CONDUIT END FITTINGS.



DIVIDER / GROUND BRACKET INSTALLATION

PER CUSTOMER SPECIFICATIONS, INSTALL / REMOVE DIVIDER AND GROUND BRACKET (IF REQUIRED).

