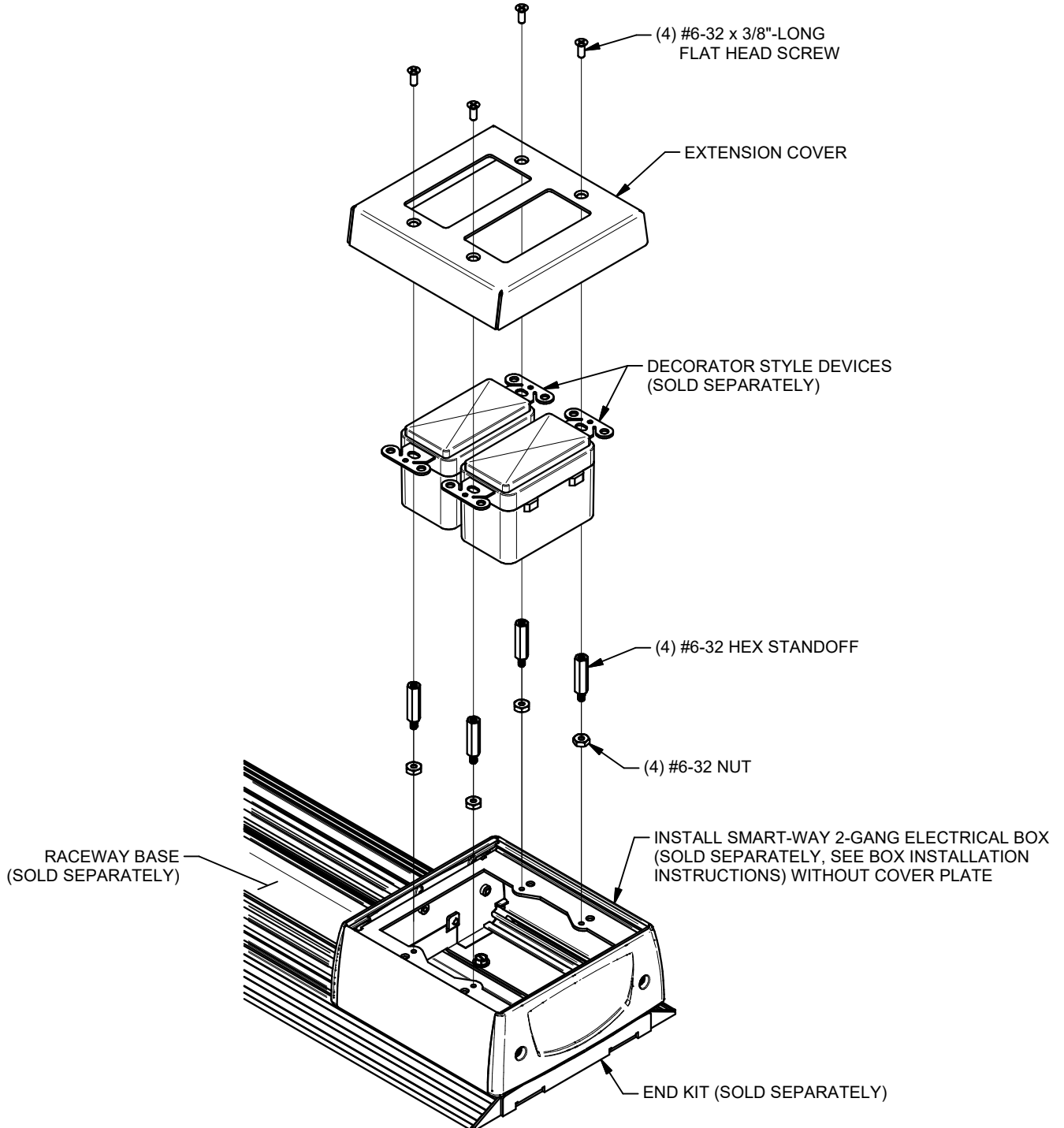


1. INSTALL SMART-WAY 2-GANG ELECTRICAL BOX (SOLD SEPARATELY, SEE BOX INSTALLATION INSTRUCTIONS) WITHOUT COVER PLATE (**EXTENSION COVER WILL NOT WORK WITH SW-DB-1P1D BOX!**). END KIT (SOLD SEPARATELY) & RACEWAY BASE EDGE (SOLD SEPARATELY) MUST BE INSTALLED FIRST IF MOUNTING BOX ON RACEWAY BASE END.
2. INSTALL #6-32 NUT COMPLETELY ONTO #6-32 HEX STANDOFF AND INSTALL STANDOFF TO ELECTRICAL BOX.
3. MAKE WIRING CONNECTIONS AS REQUIRED AND INSTALL DECORA UNITS (SOLD SEPARATELY) AND EXTENSION COVER TO ELECTRICAL BOX.

Classification; CTS/DTS 3.102 Flushfloor, 3.103 Onfloor, 6.101.1 Dry-Treatment Only, 6.2.6 10J Impact, 6.102.3 1,000 N Small Surface Load, 6.4.1 Non-Flame Propagating
IP41; Min Storage Temp - 25°C; Installation and Application Temp - 15°C to 60°C



1. INSTALL SMART-WAY 3-GANG ELECTRICAL BOX (SOLD SEPARATELY, SEE BOX INSTALLATION INSTRUCTIONS) WITHOUT COVER PLATE. END KIT (SOLD SEPARATELY) & RACEWAY BASE EDGE (SOLD SEPARATELY) MUST BE INSTALLED FIRST IF MOUNTING BOX ON RACEWAY BASE END.
2. INSTALL #6-32 NUT COMPLETELY ONTO #6-32 HEX STANDOFF AND INSTALL STANDOFF TO ELECTRICAL BOX.
3. MAKE WIRING CONNECTIONS AS REQUIRED AND INSTALL DECORA UNITS (SOLD SEPARATELY). IF THERE IS A 'LINE VOLTAGE/LOW VOLTAGE' DIFFERENCE ON EITHER SIDE OF THE BOX DIVIDER, ENSURE THE SUPPLIED DIVIDER EXTENDER IS INSTALLED BEFORE PUTTING ON THE EXTENSION COVER.

Classification; CTS/DTS 3.102 Flushfloor, 3.103 Onfloor, 6.101.1 Dry-Treatment Only, 6.2.6 10J Impact, 6.102.3 1,000 N Small Surface Load, 6.4.1 Non-Flame Propagating
IP41; Min Storage Temp - 25°C; Installation and Application Temp - 15°C to 60°C

