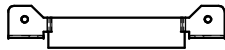
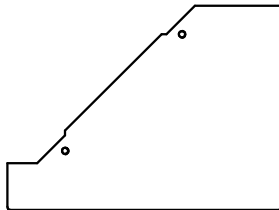


1 P/N: 55804 - GANG INSERT PLATE (2 SUPPLIED)
 HARDWARE REQUIRED:
 P/N: 13317 - #8-32 x 3/8" LONG PAN HEAD SCREW
 (4 REQUIRED PER PLATE)



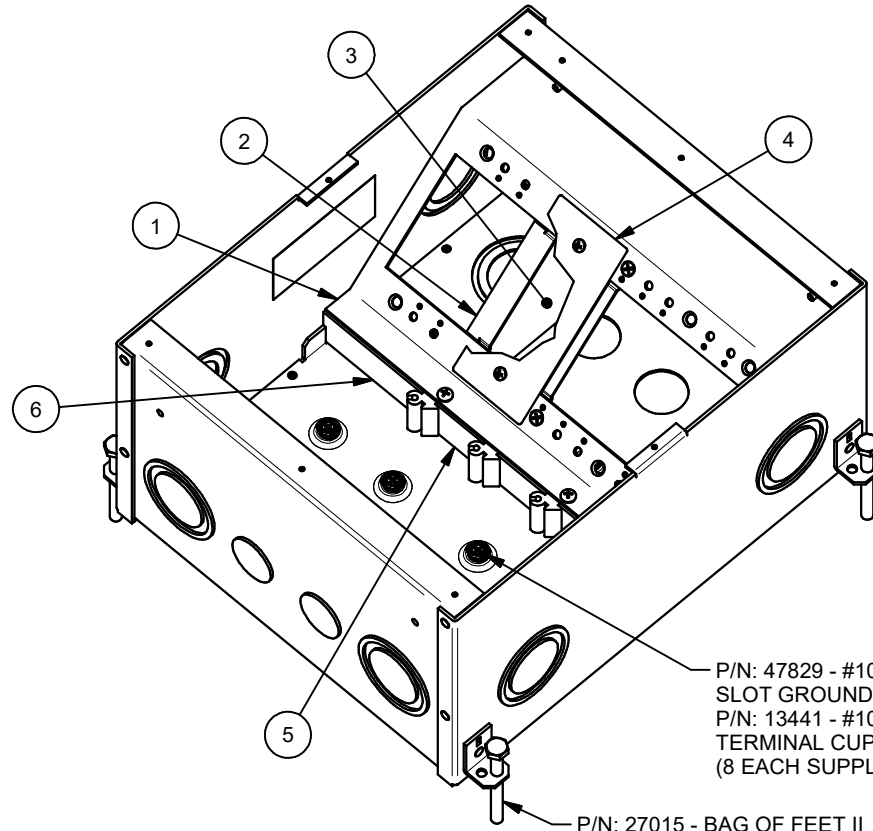
2 P/N: 55639 - GAP FILL / DIVIDER HOLDER (4 SUPPLIED)
 HARDWARE REQUIRED:
 P/N: 13330 - #8-32 x 1/4" LONG FLAT HEAD SCREW
 (2 REQUIRED PER HOLDER)



3 P/N: 55799 - 6" DIVIDER PLATE (2 SUPPLIED)
 HARDWARE REQUIRED:
 P/N: 11511 - #8-32 x 1/4" LONG PAN HEAD SCREW
 (2 REQUIRED PER PLATE)



4 P/N: 55098 - SINGLE-GANG COVER PLATE (1 SUPPLIED)
 HARDWARE REQUIRED:
 P/N: 11429 - #6-32 x 1/4" LONG PAN HEAD SCREW
 (2 REQUIRED PER PLATE)



P/N: 47829 - #10-32 HEX
 SLOT GROUND SCREW
 P/N: 13441 - #10 WASHER
 TERMINAL CUP
 (8 EACH SUPPLIED)

P/N: 27015 - BAG OF FEET II
 (1 BAG OF 4 FEET SUPPLIED)

5 P/N: 55800 - SHORT SEPARATOR (2 SUPPLIED)
 NO HARDWARE REQUIRED

6 P/N: 55801 - LONG SEPARATOR (2 SUPPLIED)
 NO HARDWARE REQUIRED

NOTE: SUPPLIED QUANTITY COUNT
 REFERS TO QUANTITY
 SHIPPED WITH BOX.

FSR inc.
 244 BERGEN BLVD.
 WOODLAND PARK, NJ 07424
 TEL (973) 785-4347
 FAX (973) 785-3318

TITLE: FL-500P/540P 6" BOX
 SPARE PARTS LIST
 DRAWN BY: JRE DATE: 10/19/20 REV: 01
 DWG#: FL-500P-6 spare parts SCALE: -