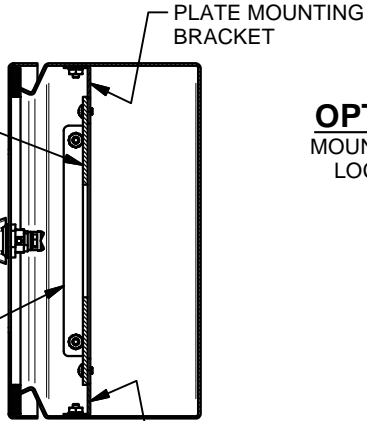


'PLATE MOUNTING' AND 'INTERIOR END' BRACKETS CAN BE INSTALLED ON THE BOX'S INTERNAL STUD LOCATIONS IN TWO OPTIONAL POSITIONS: WITH THE BRACKET FACES NEARER TO, OR FARTHER FROM, THE BOX DOOR; SEE ACCOMPANYING ILLUSTRATIONS 'OPTION A' AND 'OPTION B'. ADDITIONALLY, BECAUSE THE BOX IS SQUARE, THE BRACKET SETS CAN BE INSTALLED AS SHOWN, OR MOVED 90 DEGREES TO ADJACENT INTERNAL SURFACES AND MOUNTED THERE, AS WELL. THE GANG-UNIT 'MOUNTING PLATES' ARE TO BE INSTALLED IN THE SAME FASHION, AS SHOWN OR ROTATED 90 DEGREES, REGARDLESS OF WHICH OPTIONAL POSITION OR LOCATION THE BRACKETS ARE INSTALLED.

### OPTION "A"

MOUNTING PLATE  
LOCATED FAR  
FROM DOOR

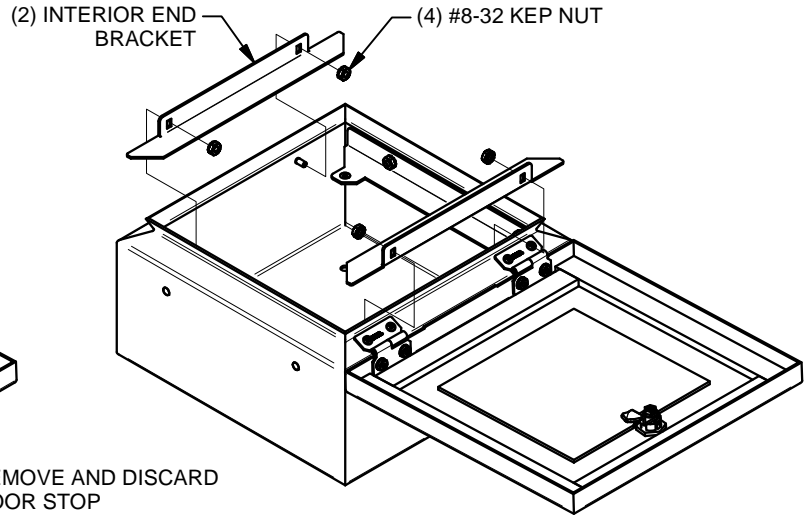
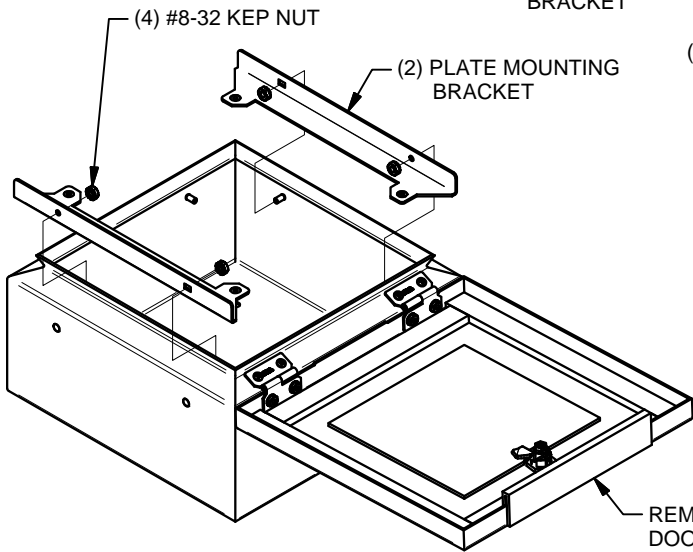
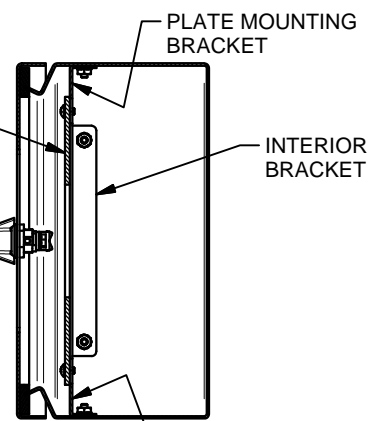
INTERIOR END  
BRACKET



### OPTION "B"

MOUNTING PLATE  
LOCATED NEAR  
TO DOOR

INTERIOR END  
BRACKET



### ROTATABLE

