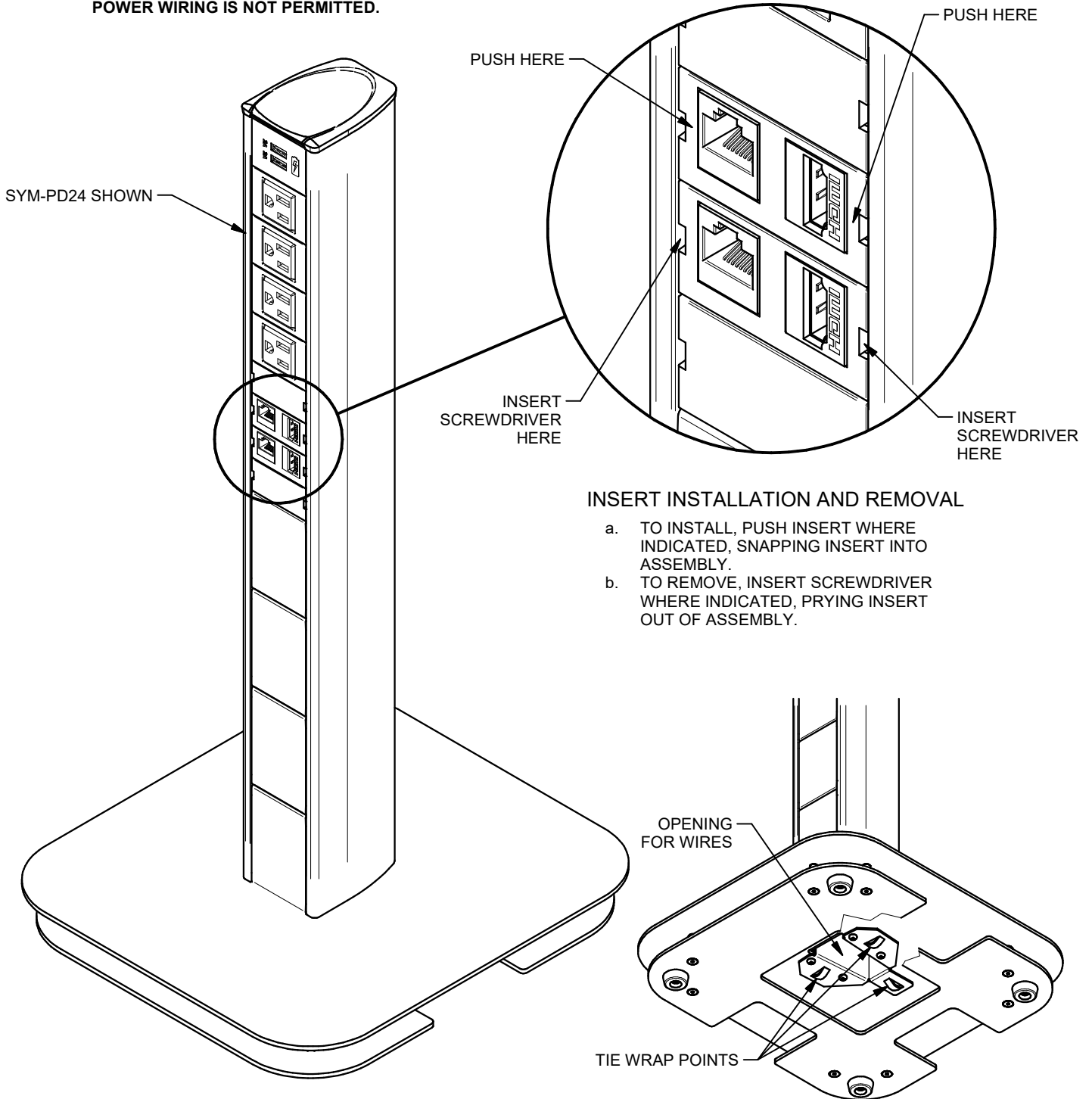


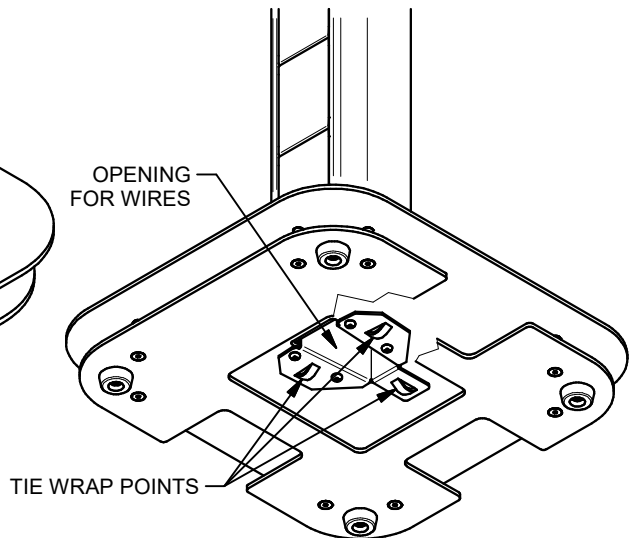
SELECT LOCATION FOR ASSEMBLY. IF APPLICABLE, INSTALL KEYSTONE CONNECTORS (SOLD SEPARATELY) INTO INSERTS (SINGLE OR DUAL). MAKE WIRING CONNECTIONS AS REQUIRED AND INSTALL INSERTS INTO ASSEMBLY. IF KEYSTONE CONNECTORS ARE TO BE INSTALLED AT A LATER DATE, INSTALL BLANK INSERTS. FRONT FACE MUST BE CLOSED WITH KEYSTONE OR BLANK INSERTS.

NOTE: INSTALLATION OF SNAP-IN MODULES IS RESTRICTED TO LOW VOLTAGE DATA AND SIGNAL TYPE INSERTS. ADDITION OF ANY AC POWER WIRING IS NOT PERMITTED.



INSERT INSTALLATION AND REMOVAL

- TO INSTALL, PUSH INSERT WHERE INDICATED, SNAPPING INSERT INTO ASSEMBLY.
- TO REMOVE, INSERT SCREWDRIVER WHERE INDICATED, PRYING INSERT OUT OF ASSEMBLY.



UNDERSIDE VIEW