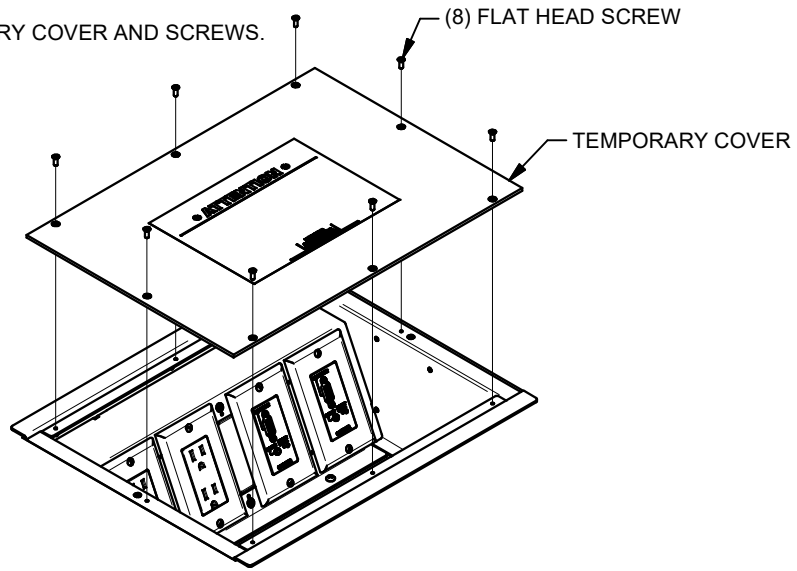
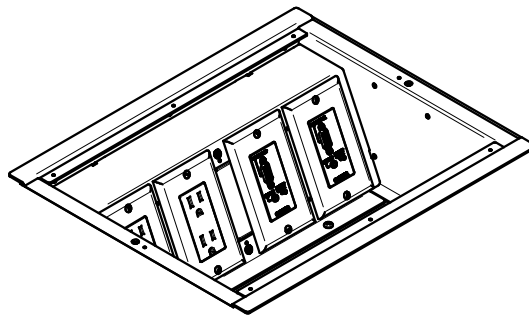


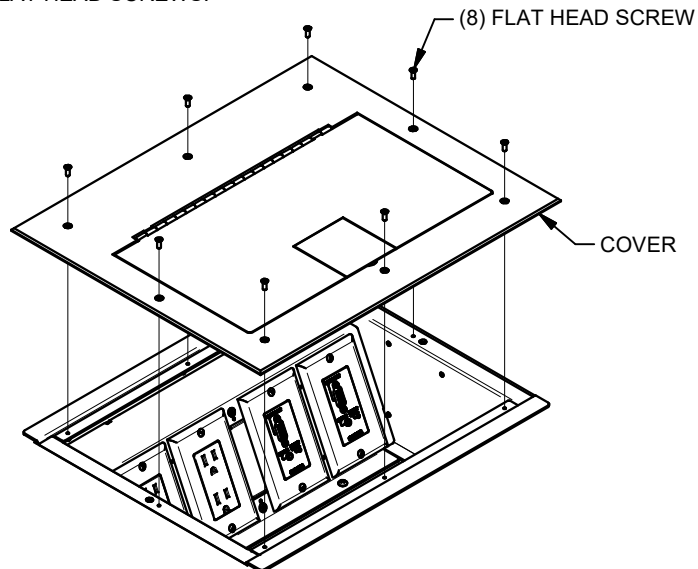
1. REMOVE AND DISCARD TEMPORARY COVER AND SCREWS.



2. INSTALL ELECTRICAL DEVICES AND CONNECTOR PLATES IF PREVIOUSLY NOT INSTALLED.



3. INSTALL COVER WITH SUPPLIED FLAT HEAD SCREWS.



4. OPEN LARGE DOOR FROM WHERE SHOWN.

