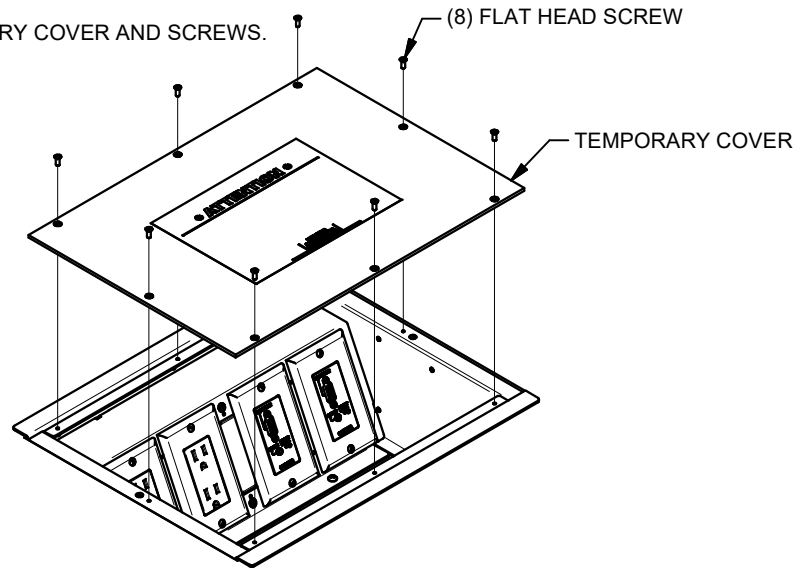
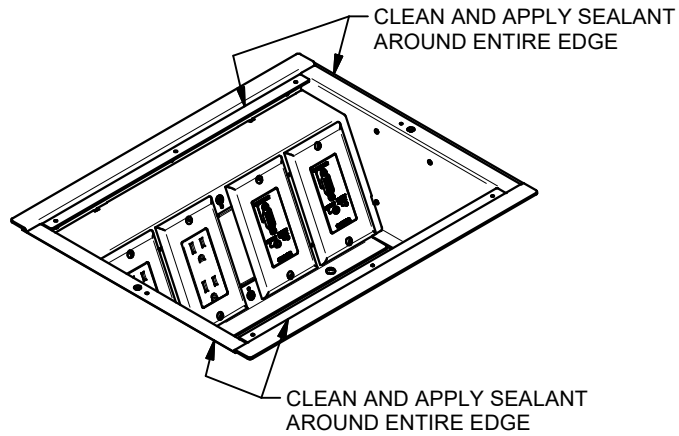


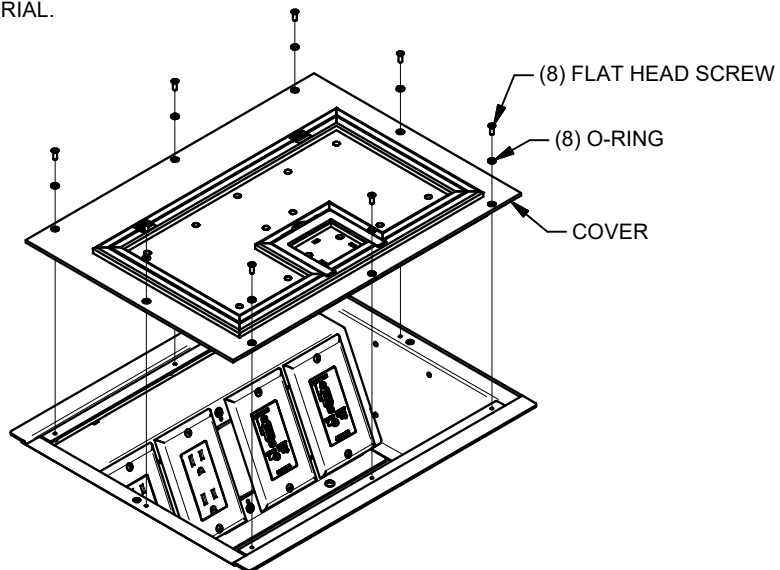
1. REMOVE AND DISCARD TEMPORARY COVER AND SCREWS.



2. INSTALL ELECTRICAL DEVICES AND CONNECTOR PLATES IF PREVIOUSLY NOT INSTALLED. CLEAN AREA IN AND AROUND ENTIRE TOP EDGE OF BOX AND APPLY 1/4" CONTINUOUS BEAD OF RTV SILICONE SEALANT.



3. INSTALL COVER WITH SUPPLIED O-RINGS AND FLAT HEAD SCREWS. INSTALL FINISHED FLOORING MATERIAL.



4. OPEN LARGE DOOR BY LIFTING AND PULLING HANDLE UPWARD AS SHOWN (CABLE ACCESS DOOR WILL FALL INWARD IF NOT ALREADY OPEN). LARGE DOOR CAN NOW BE ROTATED OVER TO BE FLAT ON FLOOR. CONNECT CABLES AS REQUIRED. PRIOR TO CLOSING LARGE DOOR, SWING CABLE ACCESS DOOR ONTO VELCRO ON UNDERSIDE OF LARGE DOOR. ROTATE LARGE DOOR FORWARD ON IT'S HINGES, AND PUSH FIRMLY ON CORNERS TO SNAP LARGE DOOR SECURELY IN PLACE.

