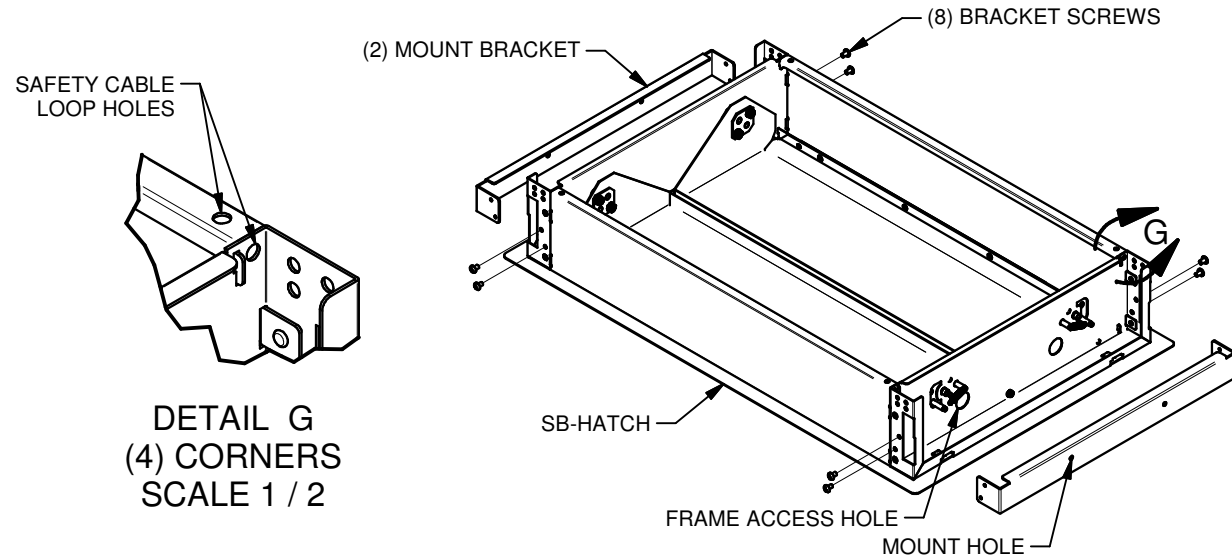
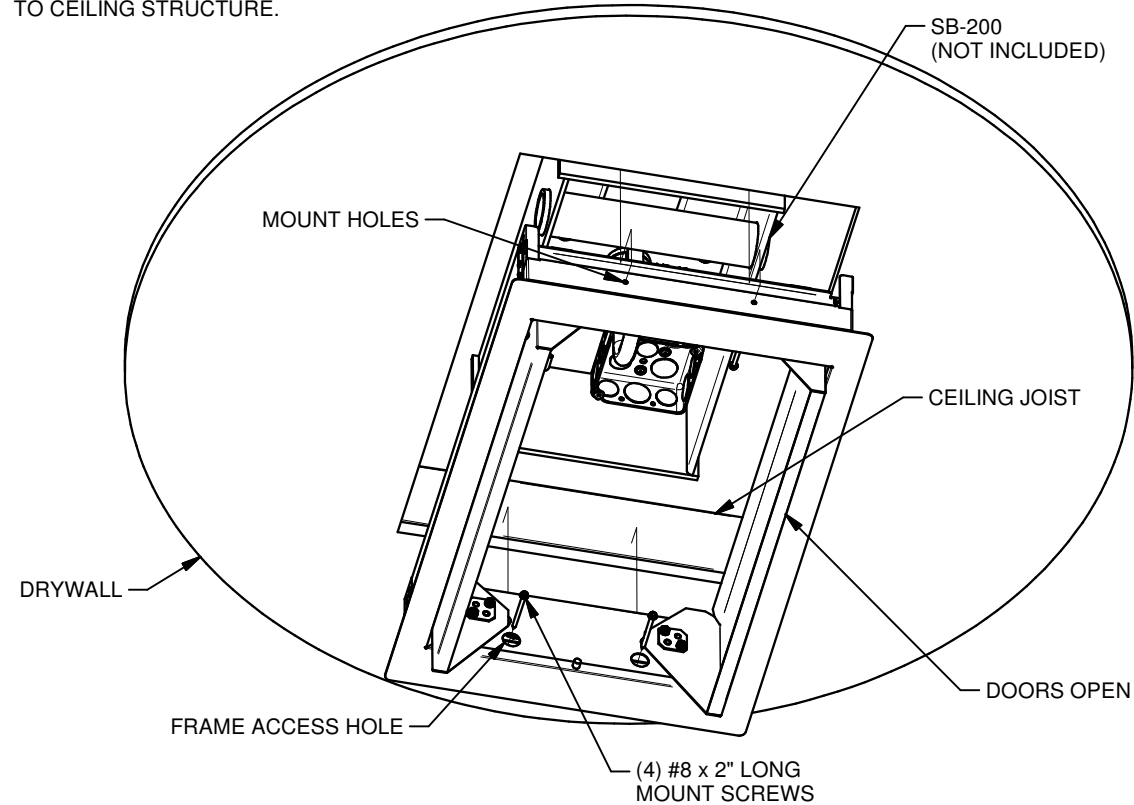


## DRYWALL CEILING INSTALLATION

1. INSTALLING SB-HATCH IS A MINIMUM 2-MAN-REQUIRED PROCESS.
2. ATTACH MOUNT BRACKETS WITH THE SUPPLIED SCREWS.
3. OPEN HATCH DOORS.

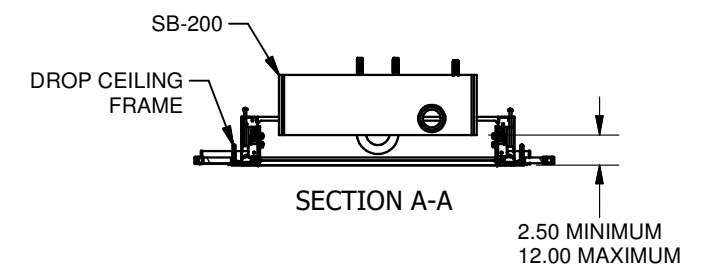
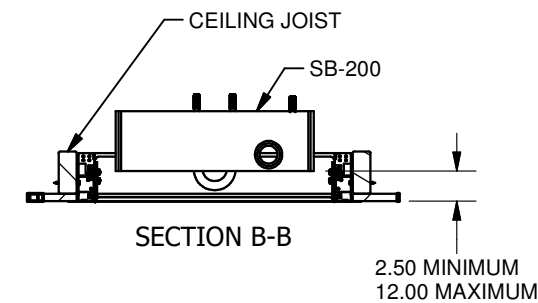
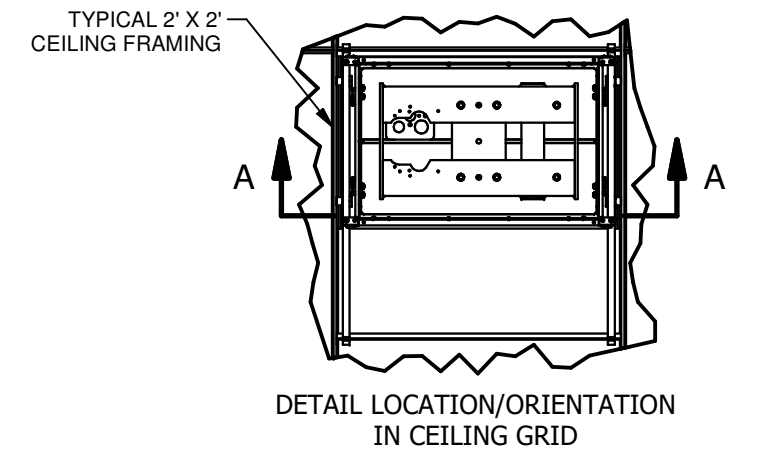
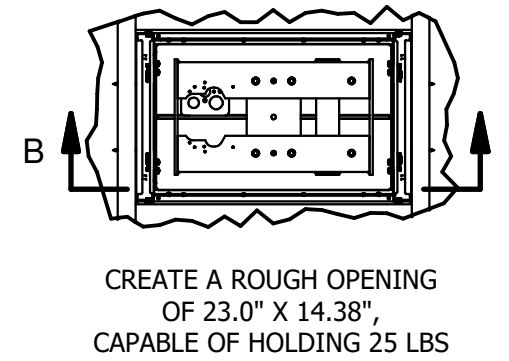
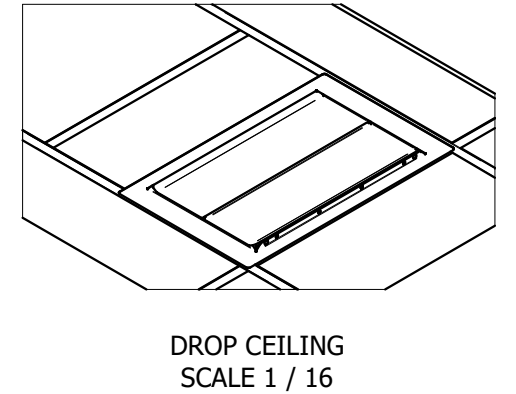
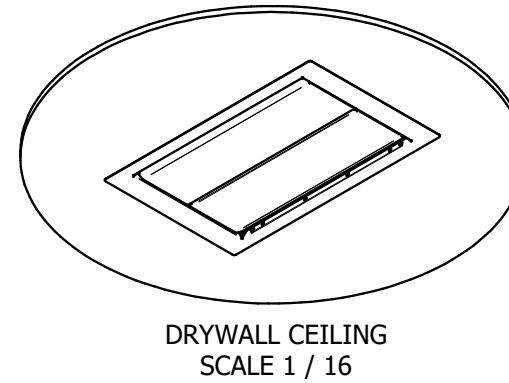


4. LIFT SB-HATCH TO THE CEILING, AND ENSURE THAT THE SB-HATCH RIM IS PRESSED UP AGAINST THE DRYWALL THROUGHOUT THE INSTALLATION PROCESS.
5. WITH SB-HATCH IN PLACE, LOCATE MOUNT HOLE THROUGH THE FRAME ACCESS HOLES.
6. USING A 2" DRIVER EXTENSION, INSTALL MOUNTING SCREWS TO CEILING STRUCTURE.

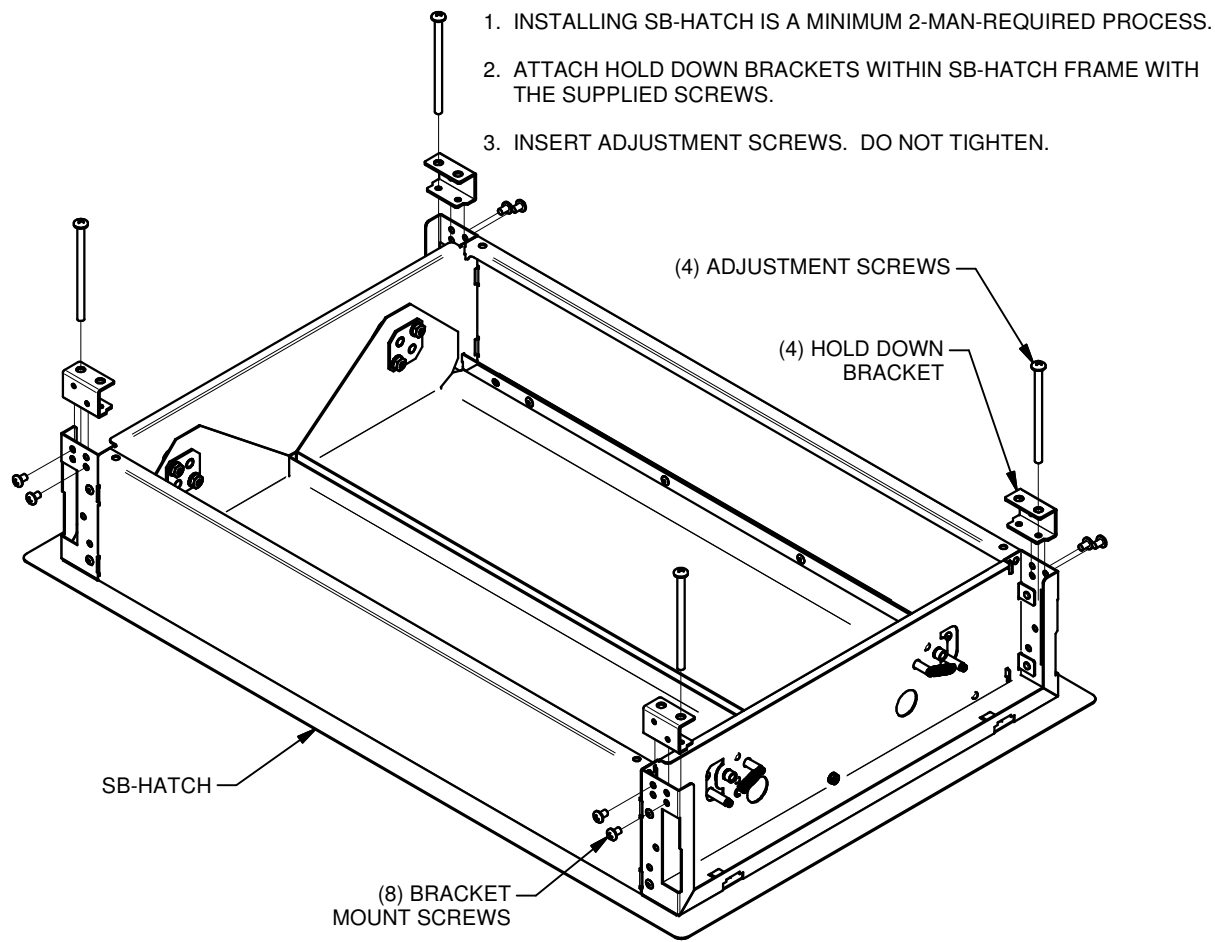


## SB-HATCH INSTALLATION

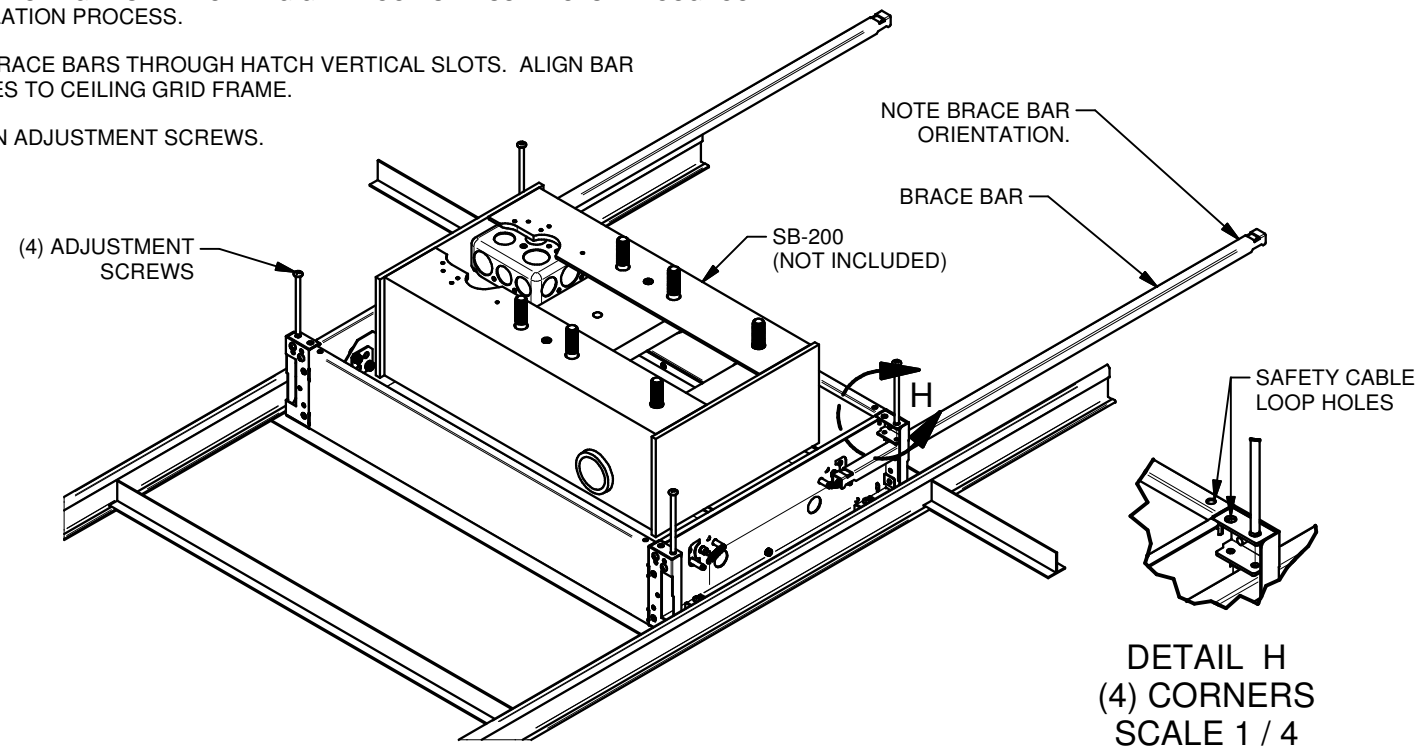
1. INSTALL SKYBOX.
2. LAYOUT THE CEILING STRUCTURE TO ACCEPT THE SB-HATCH. UNIT WEIGHS 9 LBS, 10 LBS TOTAL WITH EITHER SET OF INSTALLATION-APPROPRIATE MOUNTING BRACKETS. IT IS RECOMMENDED THAT A SAFETY FACTOR OF 5X BE USED IN THE CONSTRUCTION OF ALL MOUNTING METHODS.



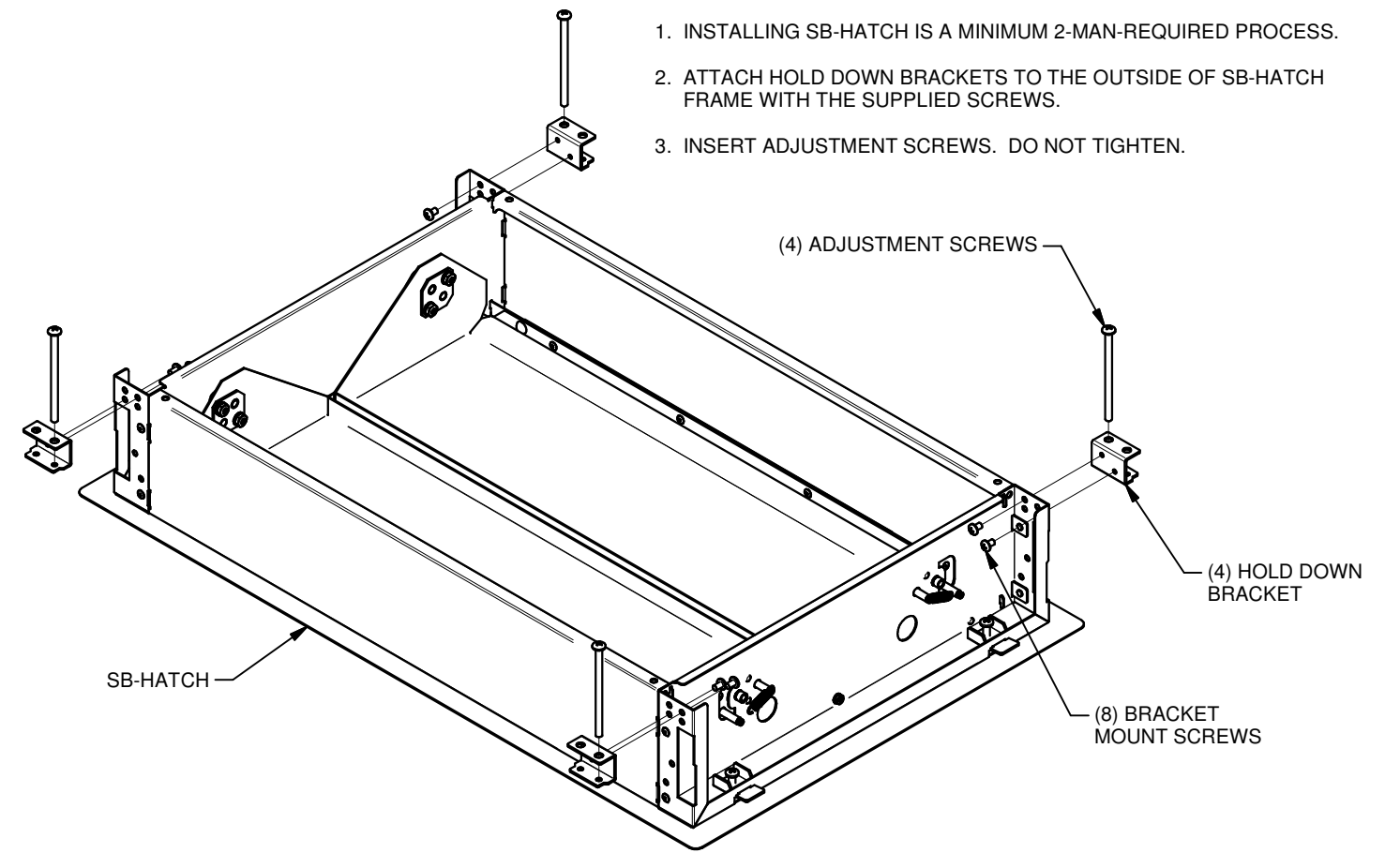
## DROP CEILING INSTALLATION - INTERNAL BRACE BAR



- LIFT SB-HATCH TO THE DROP CEILING GRID, AND ENSURE THAT THE SB-HATCH RIM IS PRESSED UP AGAINST THE CEILING GRID ROOM SIDE SURFACES THROUGHOUT THE INSTALLATION PROCESS.
- SLIDE BRACE BARS THROUGH HATCH VERTICAL SLOTS. ALIGN BAR NOTCHES TO CEILING GRID FRAME.
- TIGHTEN ADJUSTMENT SCREWS.



## DROP CEILING INSTALLATION - EXTERNAL BRACE BAR



- LIFT SB-HATCH TO THE DROP CEILING GRID, AND ENSURE THAT THE SB-HATCH RIM IS PRESSED UP AGAINST THE CEILING GRID ROOM SIDE SURFACES THROUGHOUT THE INSTALLATION PROCESS.
- SLIDE BRACE BARS UNDER ADJUSTMENT SCREWS. ALIGN BAR NOTCHES TO CEILING GRID FRAME.
- TIGHTEN ADJUSTMENT SCREWS.

