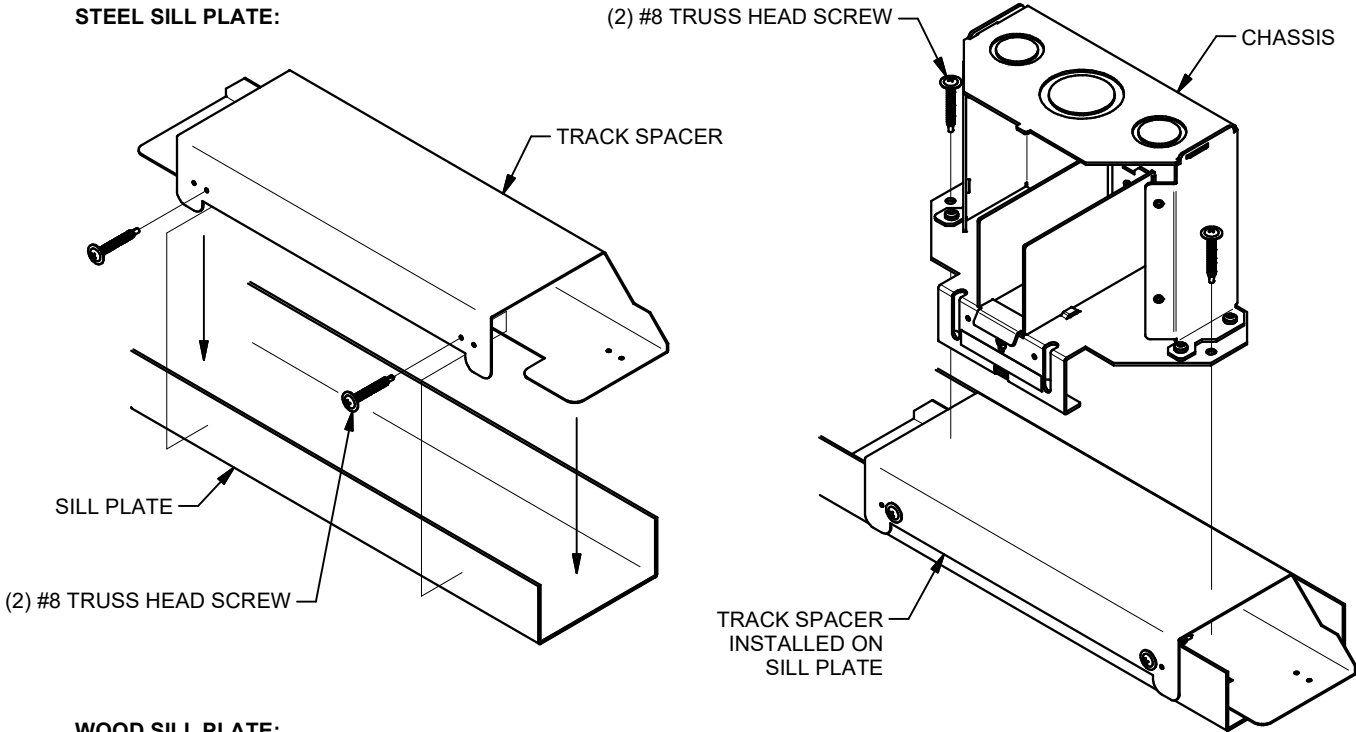
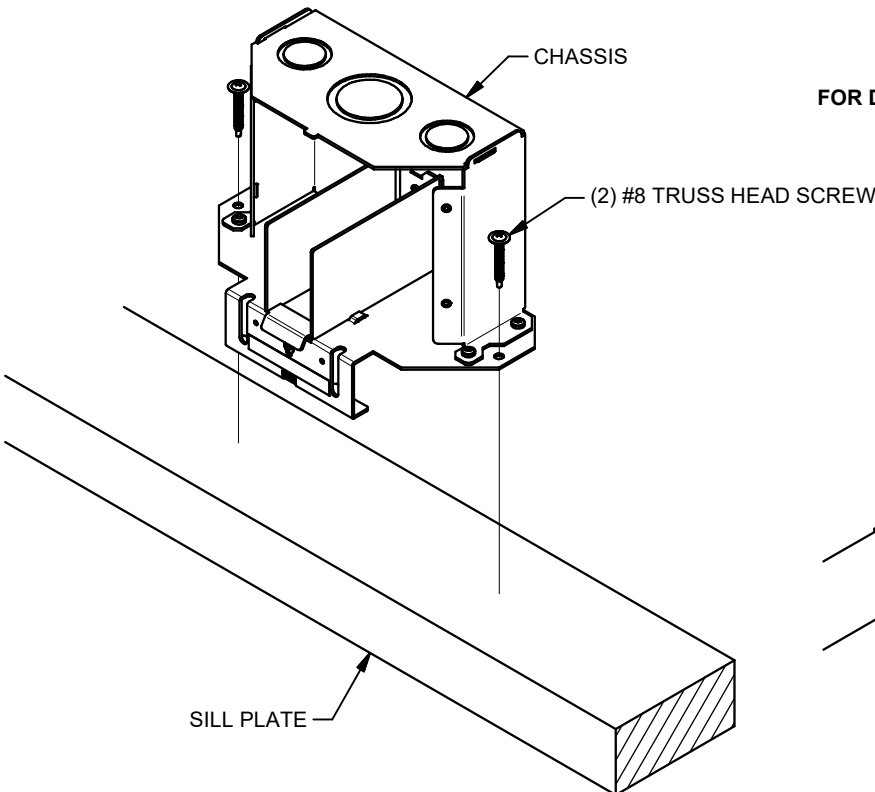


1. INSTALL CHASSIS ONTO SILL PLATE.

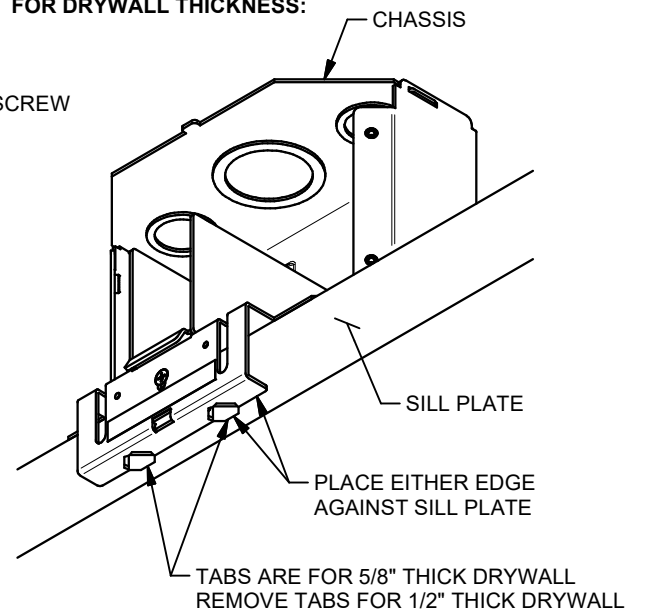
STEEL SILL PLATE:



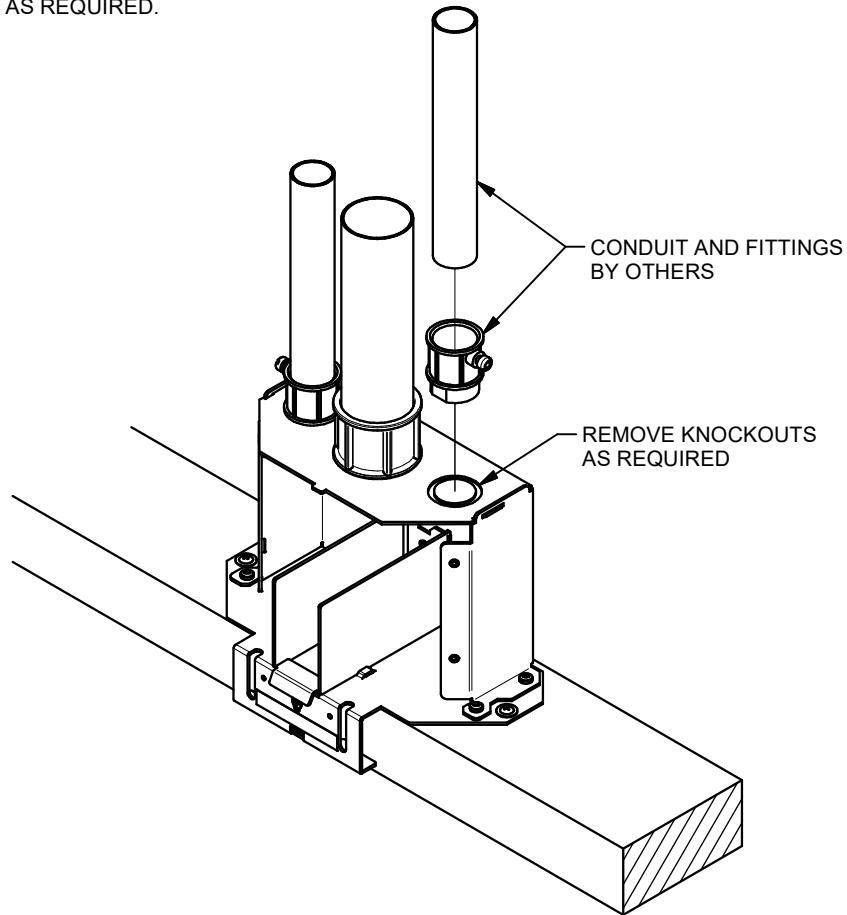
WOOD SILL PLATE:



FOR DRYWALL THICKNESS:



2. INSTALL CONDUITS AS REQUIRED.



3. INSTALL COVERS

