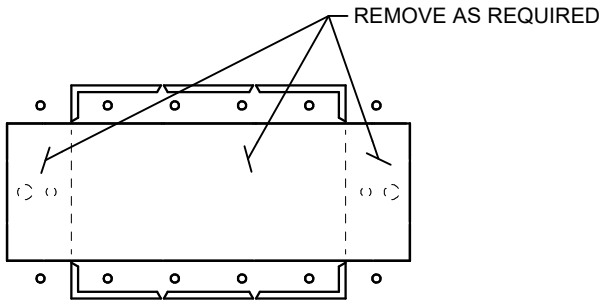
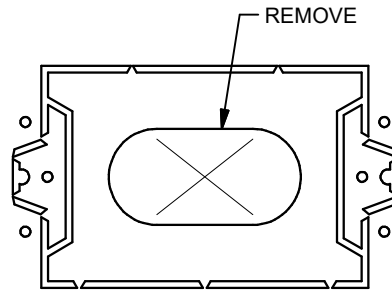


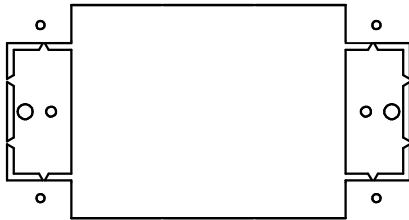
KNOCKOUT DETAIL



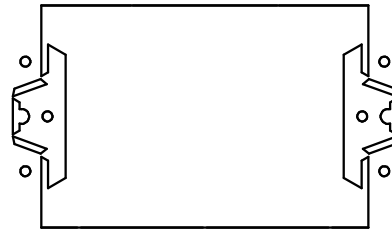
FOR IPS PANELS



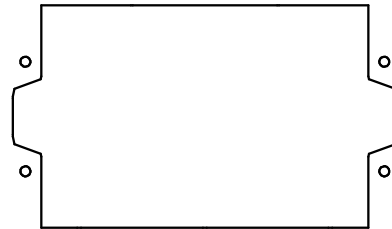
FOR CABLE PASS THRU



FOR STANDARD ELECTRICAL DEVICE



FOR STANDARD ELECTRICAL DEVICE



FOR RACO 420 ELECTRIC BOX
(1 PROVIDED)