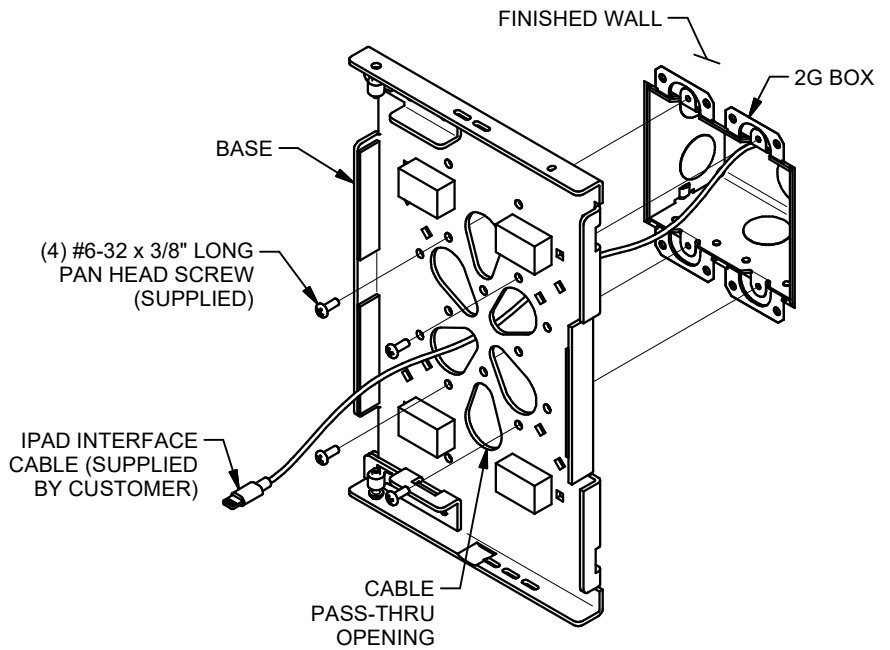
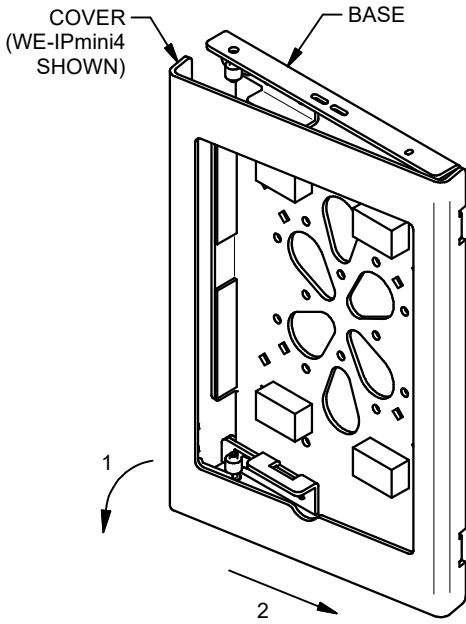


FSR WE-IPmini4 / WE-IPmini4NB INSTALLATION INSTRUCTIONS

244 Bergen Boulevard, Woodland Park, NJ 07424, Phone: 973.785.4347 - Fax: 973.785.4207

1. REMOVE COVER FROM BASE AS SHOWN.

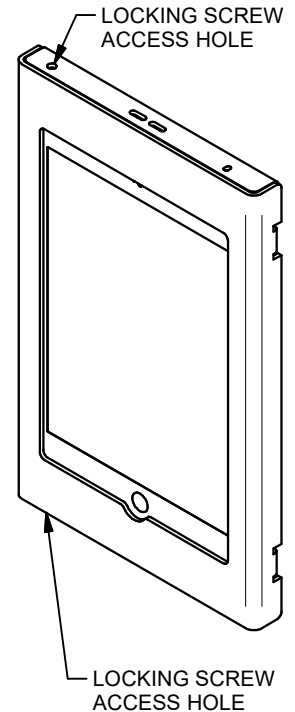
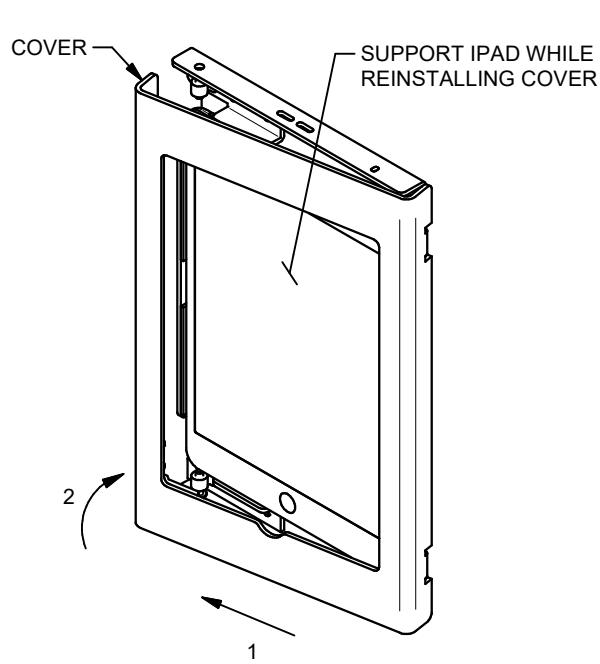
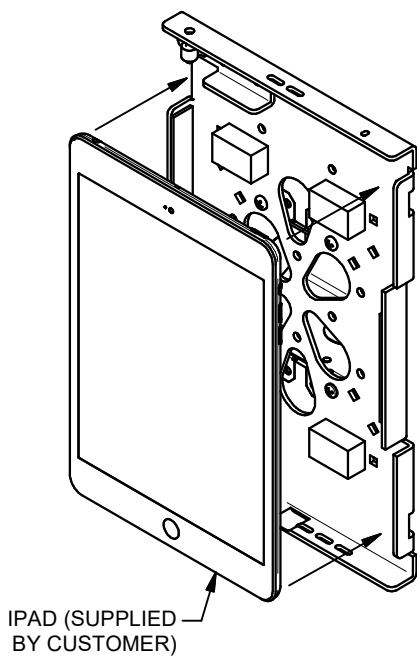
2. SECURE BASE TO WALL (SEE BACK OF THIS PAGE).

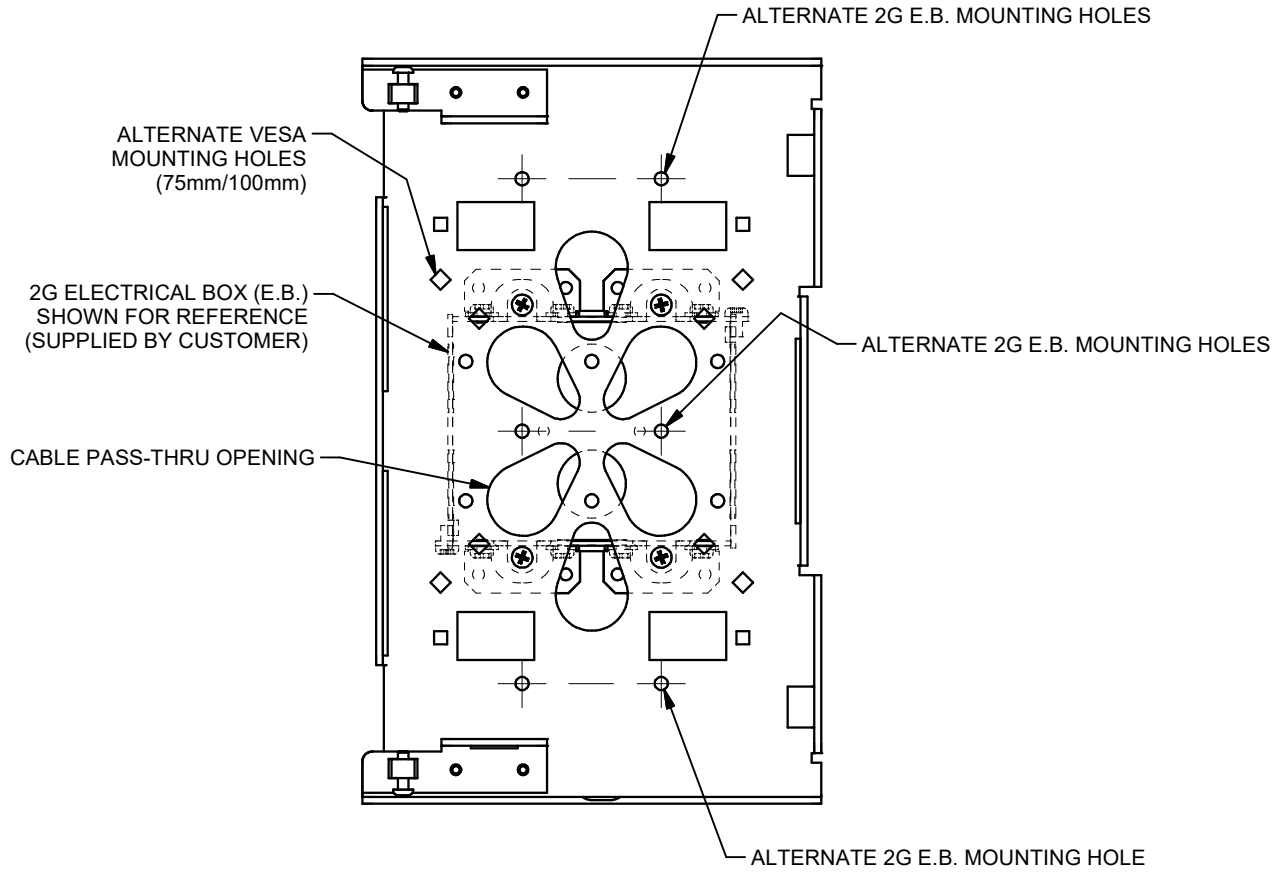


3. MAKE ELECTRICAL CONNECTIONS AS REQUIRED. POSITION IPAD IN BASE AND SUPPORT IPAD FROM FALLING.

4. REINSTALL COVER AS SHOWN WHILE SUPPORTING IPAD FROM FALLING.

5. TIGHTEN (2) LOCKING SCREW COMPLETELY WITH SUPPLIED DRIVER. DO NOT OVER TIGHTEN.





OR

