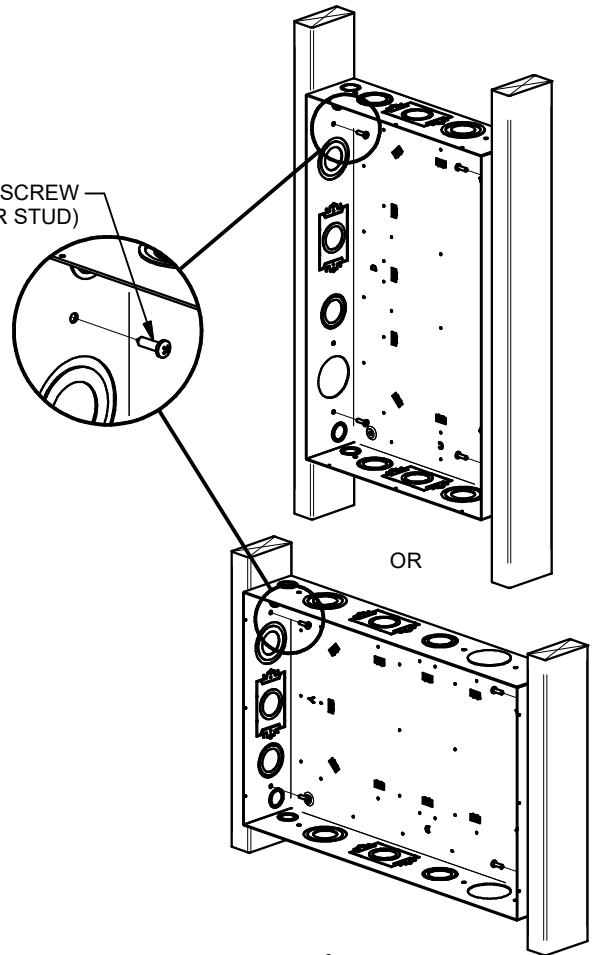
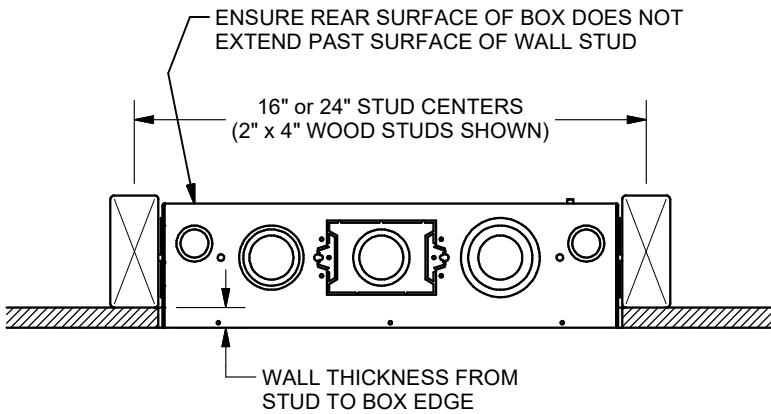


### WOOD STUD MOUNTING

WALL OPENING: 14-1/2" x 22-1/2"

NOTE: BOX CAN BE ORIENTED IN ONE OF FOUR POSITIONS

(4) #8 x 1" PHILLIPS TRUSS HEAD SCREW (SUPPLIED) (MINIMUM 2 SCREWS PER STUD)



### STEEL STUD MOUNTING

WALL OPENING: 14-1/2" x 22-1/2"

NOTE: BOX CAN BE ORIENTED IN ONE OF FOUR POSITIONS

