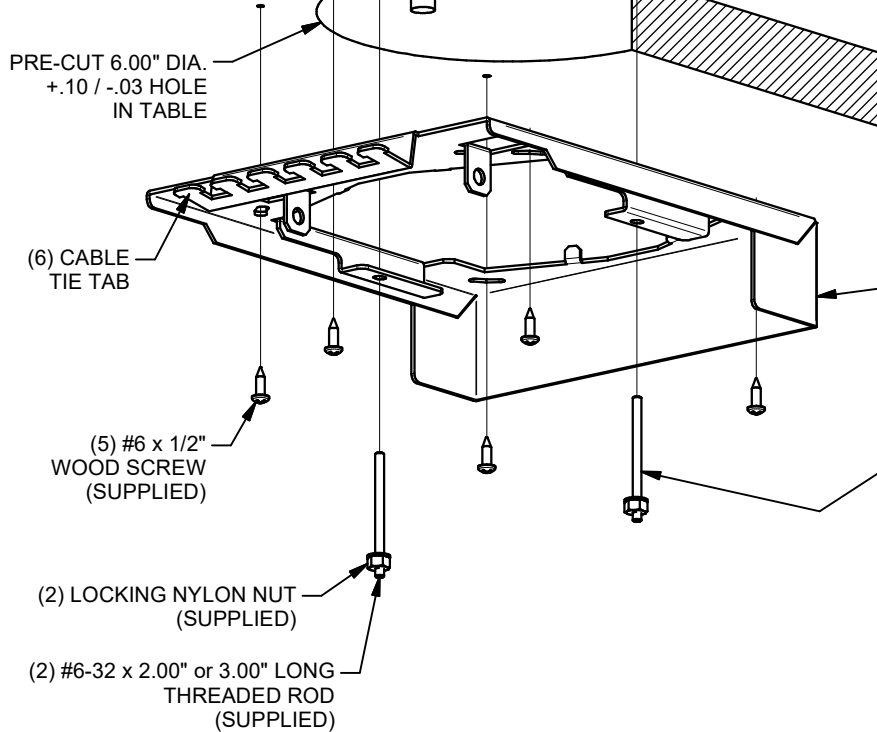


UNDERSIDE VIEW OF SHROUD



- 2 INSTALL DESIRED BRACKETS INTO THE 'CT6 SERIES' SUB-ASS'Y. DROP THE SUB-ASS'Y INTO THE HOLE IN THE TABLE (COVER ORIENTATION IS PRE-SET BY THE SHROUD INSTALLATION).
- 1 INSTALL CLAMP SHROUD TO UNDERSIDE OF TABLE HOLE WITH (5) WOOD SCREWS AS SHOWN. ORIENT PER DESIRED COVER SWING DIRECTION.
- 3 PASS THE DESIRED-LENGTH (2) LONG THREADED ROD THRU THE SHROUD AND THREAD INTO THE SUB-ASS'Y. TURN THE LOCKING NYLON NUT UP SNUG AGAINST THE SHROUD BASEPLATE TO PULL THE SUB-ASS'Y DOWN COMPLETELY INTO PLACE IN THE PRE-CUT 6.00" DIA. HOLE.
- 4 MAKE ELECTRICAL CONNECTIONS AS REQUIRED AND TIE-WRAP CABLES TO TIE-TABS. ENSURE HDMI CONNECTORS IN THE SUB-ASS'Y CAN BE PULLED OUT 3'-0" (MINIMUM) PRIOR TO SECURING CABLES TO TIE TABS.